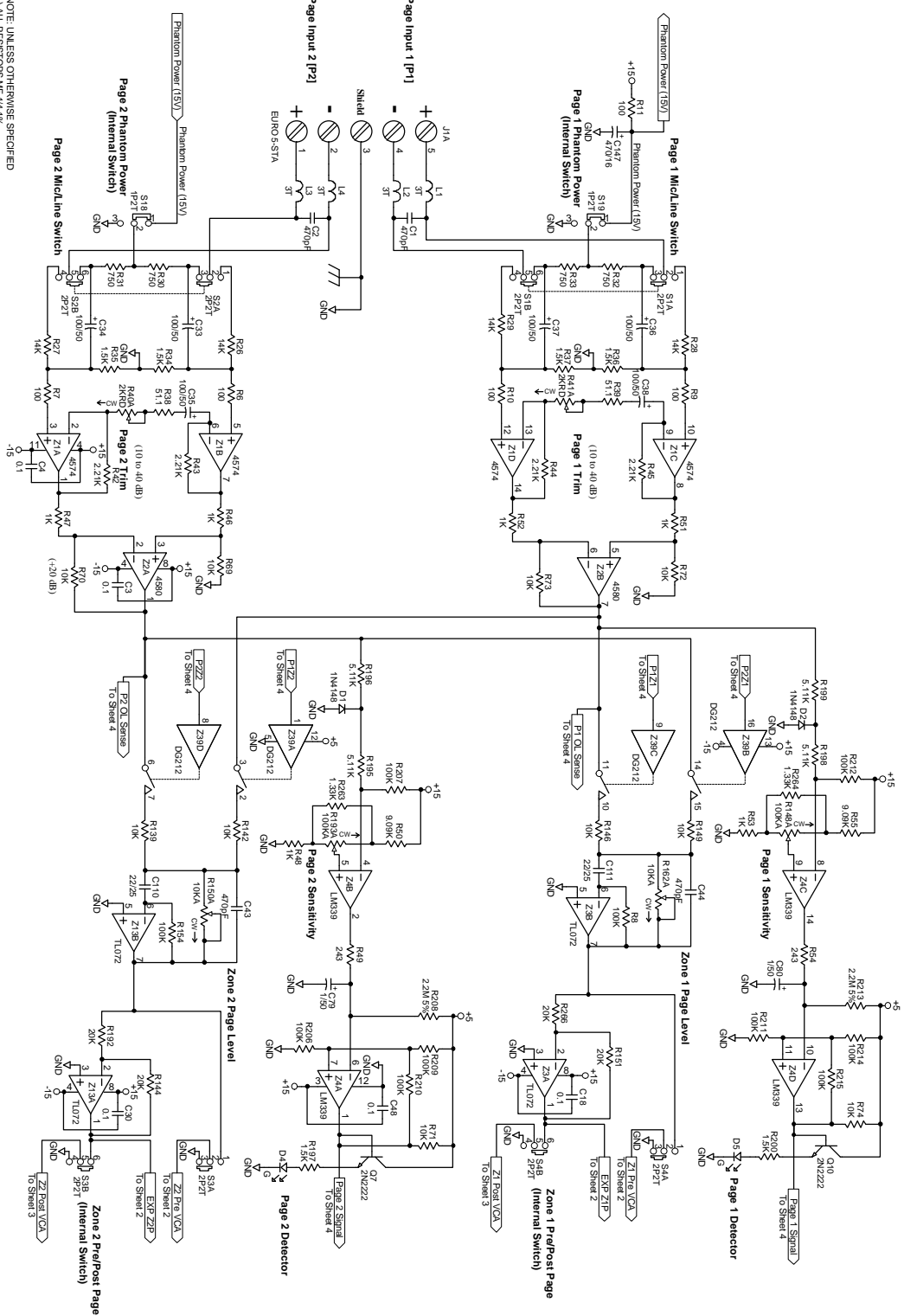


Rane Corp. (425) 355-6000
 102442 DES: MAIN/SLIDER CP 64
 ACTION: ADDED L5, L6, L7, C300, C301, C302, AND LB4 FJ 20NOU98



NOTE: UNLESS OTHERWISE SPECIFIED
 1) ALL RESISTORS ARE 1% TOL.
 2) ALL SWITCHES SHOWN IN THEIR "OUT"
 OR "OFF" POSITIONS

RESISTORS: DUCK & AUX OUT
 ZONE PAIRS: VCAMAIN OUT
 PAIR SUP & ZONE REMOTE
 EQ FILTERS

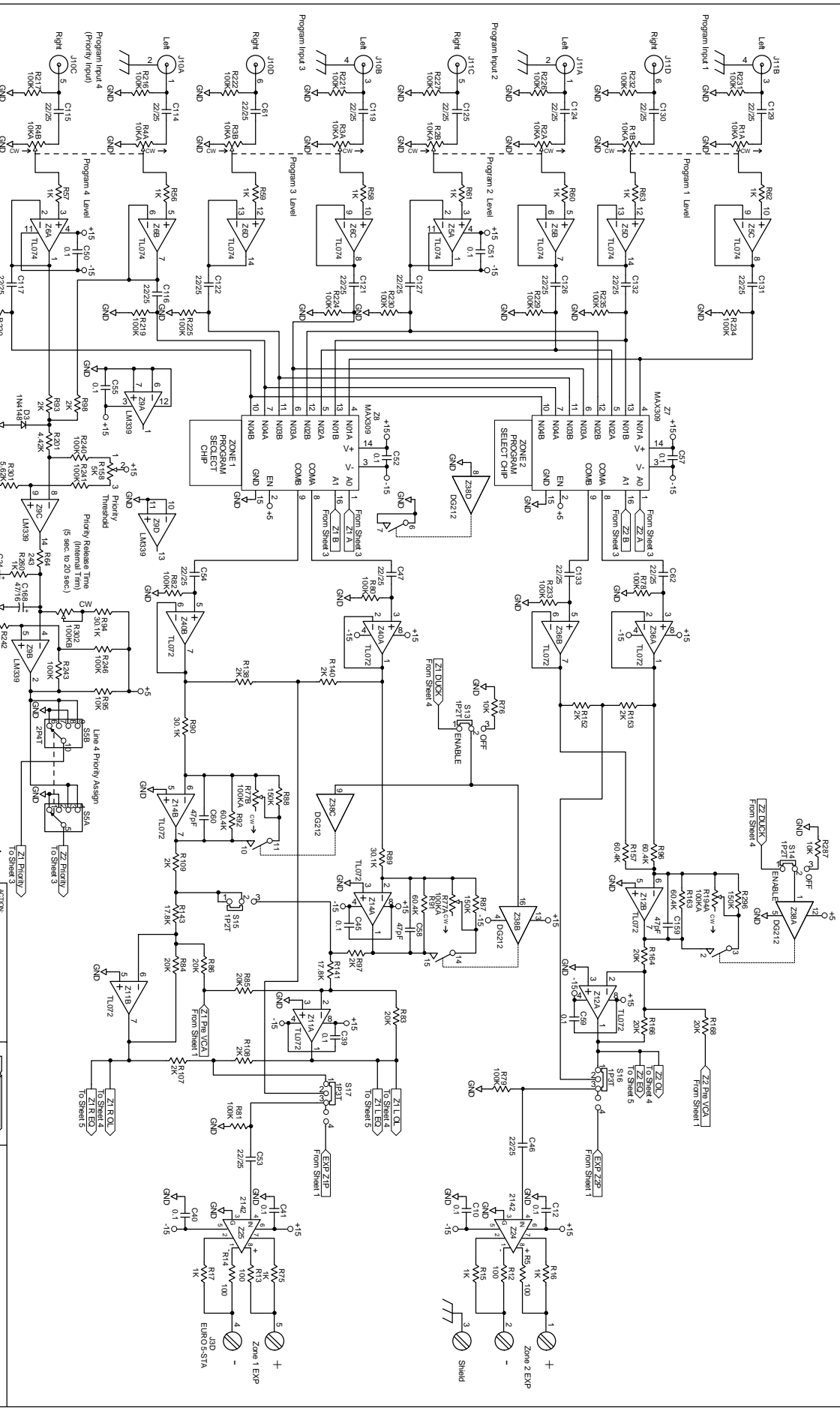


ACTIVE: 10/18, WAS 10/21/18, FJ 19NOV/18
 DRAWN BY: SMW
 CHECKED BY: SMW



CP 64 Page Ins & Zone Sensitivity
 SHEET 1 OF 5
 1022445

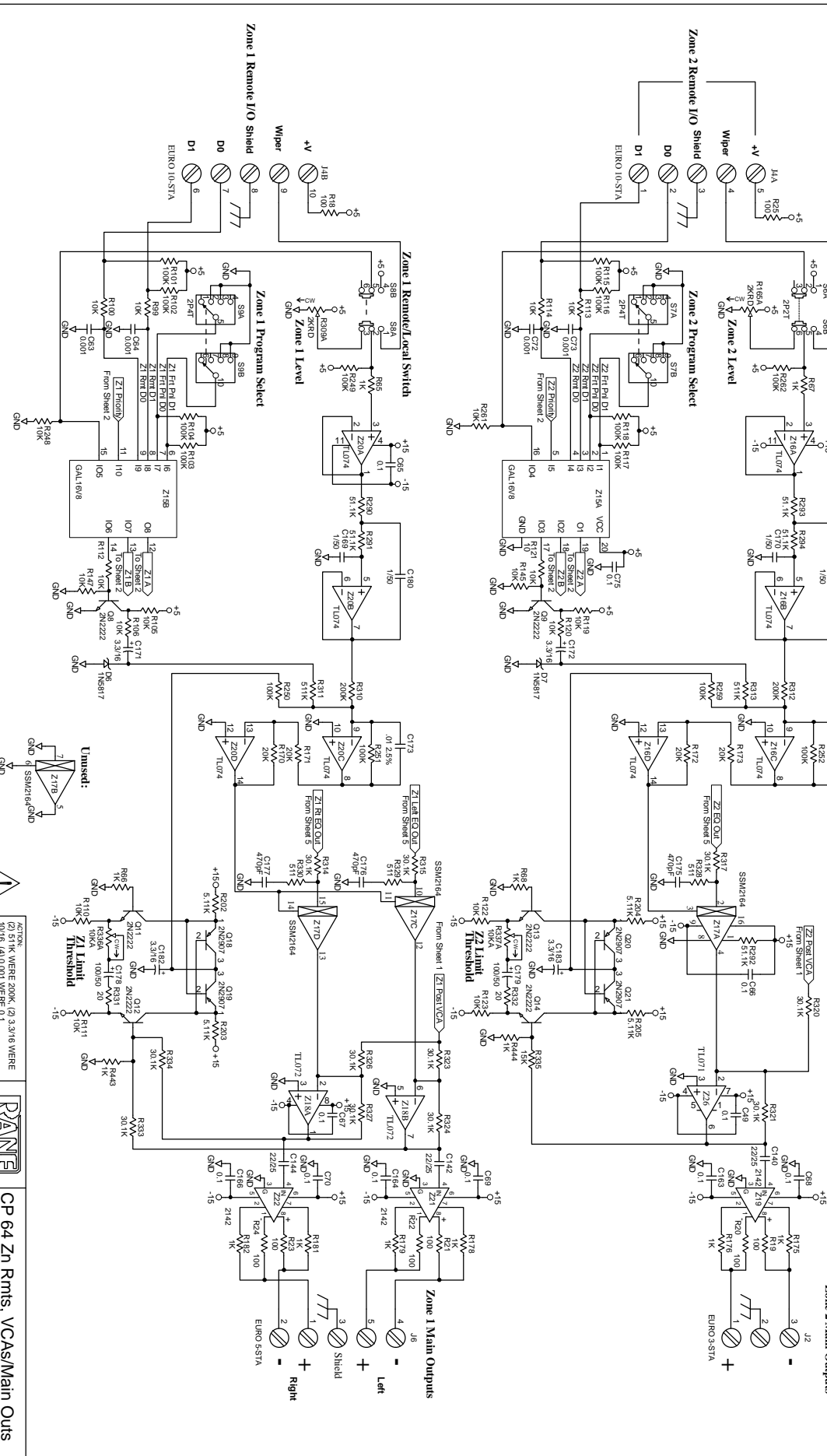
ACTION: NO CHANGE TO DRAWING.
 DRAWN BY: WAS 102178, FJ 19NOV98
 CHECKED BY: SMW
 TITLE: CP 64 Pgm Ins, Duck & Aux Outs
 SHEET: 2 of 5
 102445



ACTION: NO CHANGE TO DRAWING.
 DRAWN BY: WAS 102178, FJ 19NOV98
 CHECKED BY: SMW
 TITLE: CP 64 Pgm Ins, Duck & Aux Outs
 SHEET: 2 of 5
 102445

ACTION: NO CHANGE TO DRAWING.
 DRAWN BY: WAS 102178, FJ 19NOV98
 CHECKED BY: SMW
 TITLE: CP 64 Pgm Ins, Duck & Aux Outs
 SHEET: 2 of 5
 102445

ACTION: NO CHANGE TO DRAWING.
 DRAWN BY: WAS 102178, FJ 19NOV98
 CHECKED BY: SMW
 TITLE: CP 64 Pgm Ins, Duck & Aux Outs
 SHEET: 2 of 5
 102445



ACTOR	AK WIERE 200K (2) 3.3/16 WIERE
DATE	10/16 (4) 0001 WIERE 0.1
WAS	102778, FJ 18NOV/98
DRAWN BY	SMN
CHECKED BY	SMN
REVISION	3 OF 5
DATE	102445

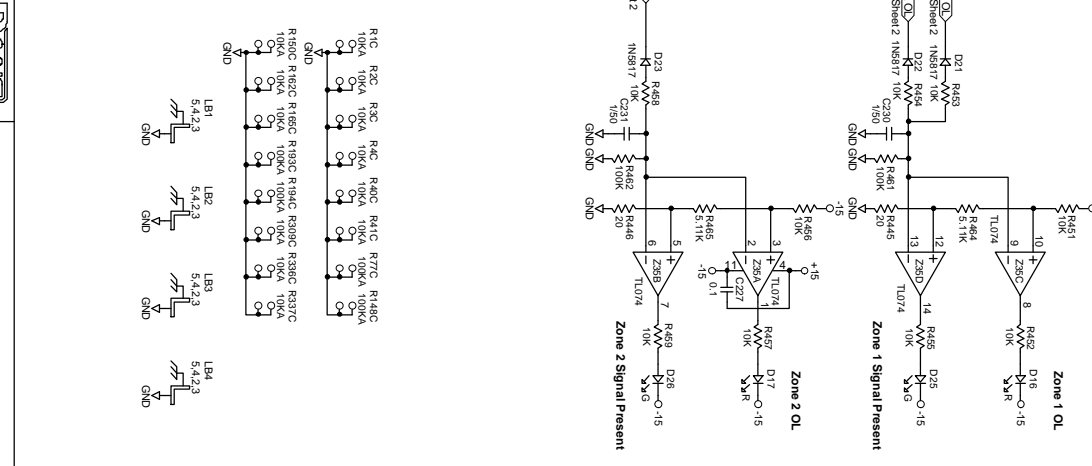
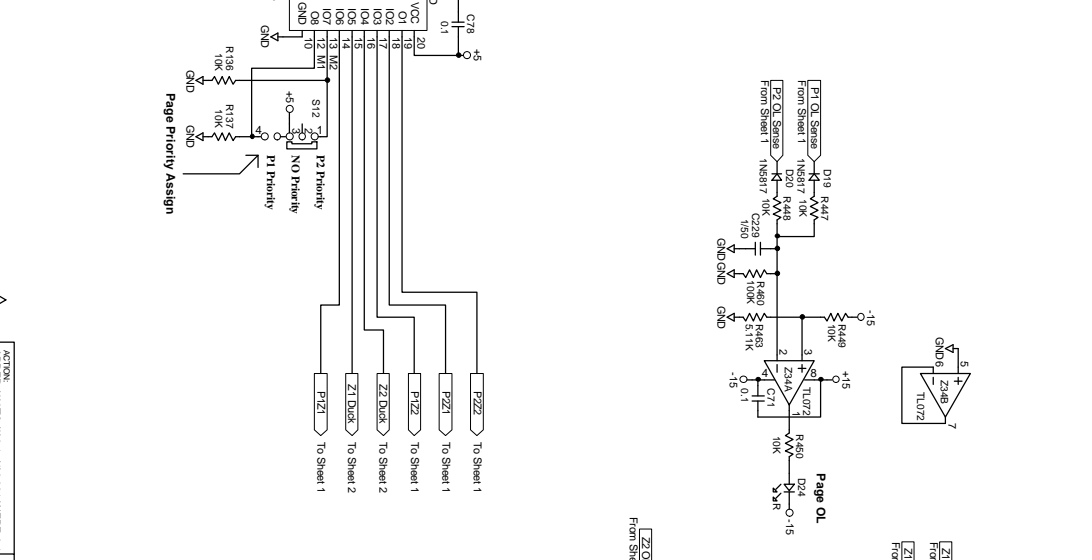
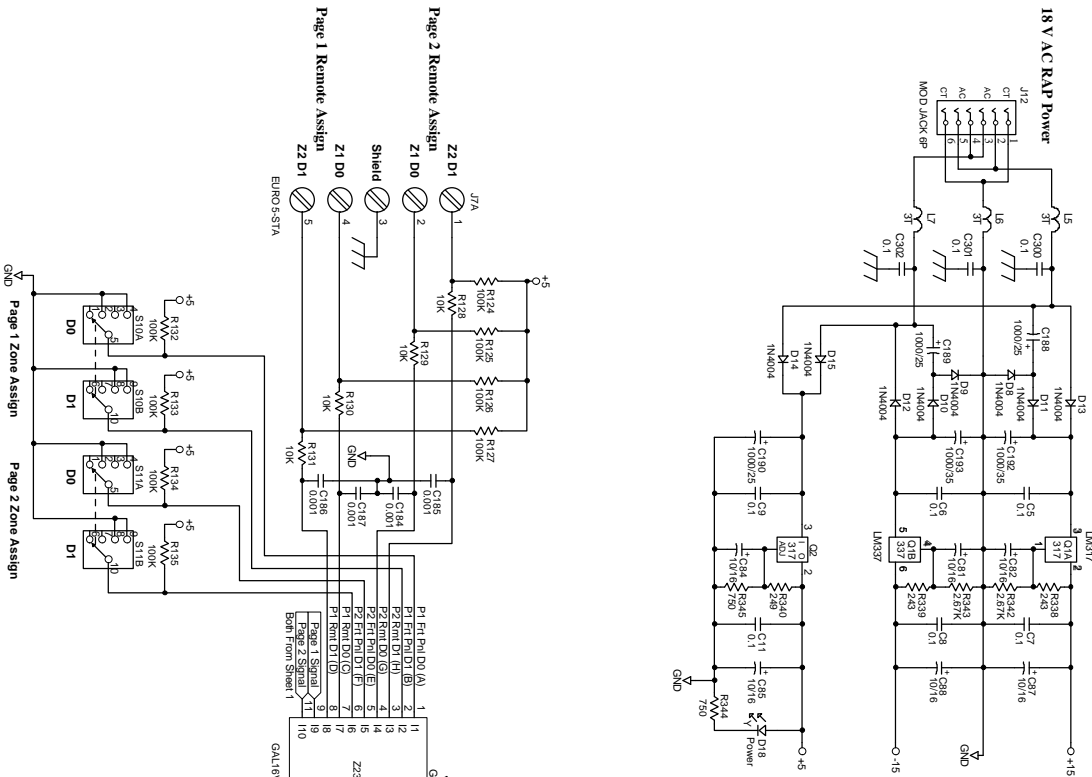
CP 64 Zn Rmts, VCAs/Main Outs

RAVE
Makroto V.A. 98275-5098

Unused:
Z1 Limit Threshold

Zone 1 Main Outputs
Left
Right

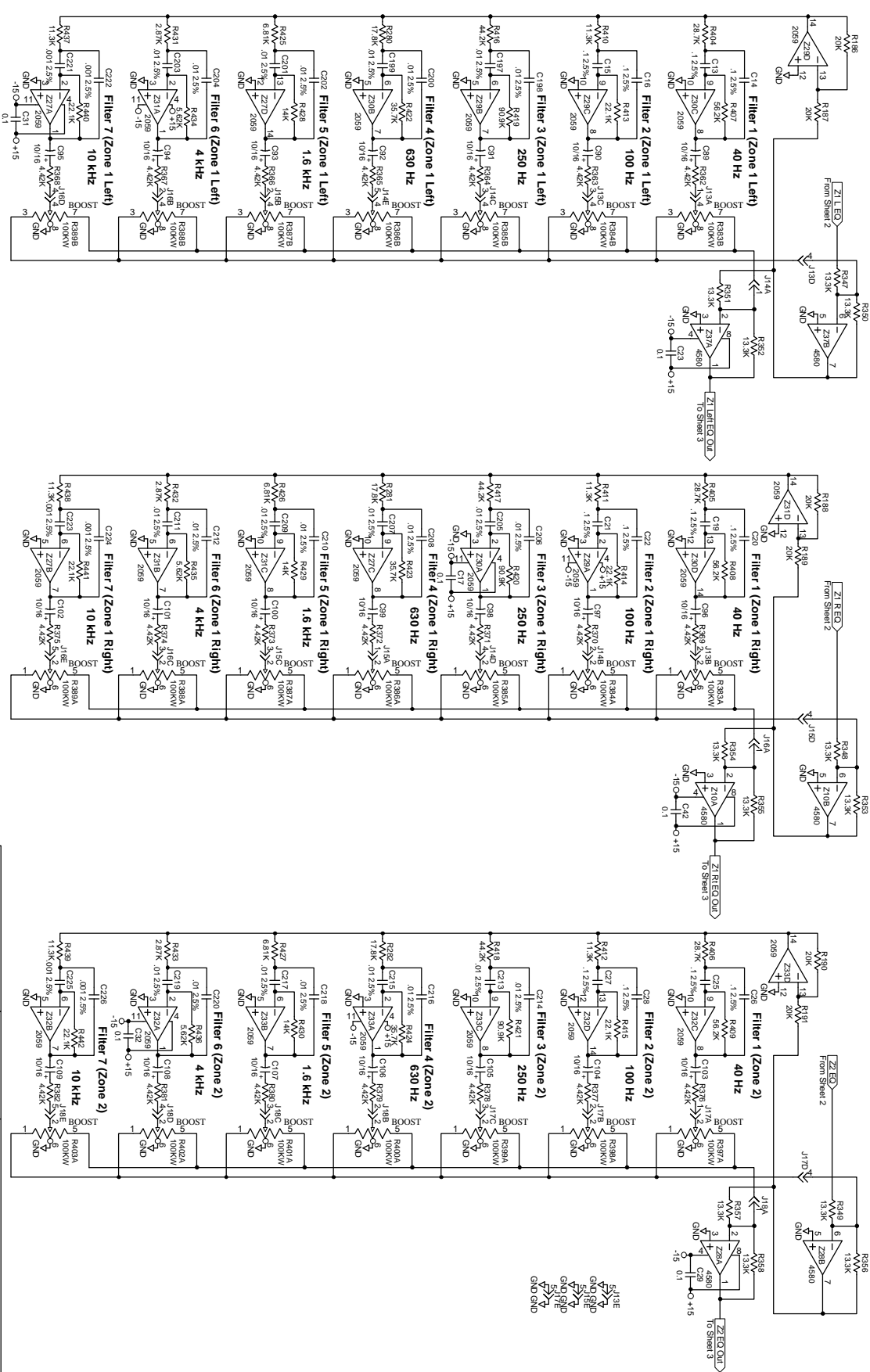
Zone 2 Main Outputs
EURO 3-STA



APPROVED	DATE	BY
ADDED	1994	WMS
1027126	FJ	17NOV/98
DESIGNED BY:	SKM	CHECKED BY:



CP 64 Pwr Snp & Zone Remote			
SHEET	4	OF	5
102445			



ACTION		CHANGE TO DRAWING	
DRAWN BY:		WMS 10/27/78, F.12/NOV/98	
CHECKED BY:		SMW	
DATE:		10/24/98	
REV:		5 OF 5	
PART NO:		102445	
MANUFACTURED BY:		PANE	
ADDRESS:		1000 W. BROADWAY	
CITY:		MARTIN	
STATE:		VA 22075-5098	