

ACCESSORIES

Model RCX-A2 Audio Output Panel

ANYWHERE YOU NEED...

- Wall Mounted Consumer Level Outputs
- Single or Dual Outputs from Mono Source
- Gold Plated Phono Jack Outputs
- Transformer Isolation from Source
- Audio Outputs from any RDL Line Output
- High Attenuation of Reverse Signals
- RDL *ULTRASTYLE*™ Design

You Need The RCX-A2!

The RCX-A2 is an audio output accessory from RDL offered in the *ULTRASTYLE* design. Complete all metal enclosures are attractively finished in two coordinated neutral colors to complement the broad range of decor encountered in commercial environments. The exclusive *ULTRASTYLE* products are intended for installations demanding the ultimate in professional styling combined with durability, longevity and value.



APPLICATION:

The RCX-A2 is a passive audio output assembly that provides one or two unbalanced consumer level audio outputs from a balanced line level audio source. It may be connected to the +4 dBu line level output of any RDL product, even if that output is simultaneously feeding other equipment. The RCX-A2 circuit design provides a high degree of audio isolation if a user accidentally feeds a consumer-level source into the RCX-A2. The attenuation of such reverse signals is sufficient for most installations. Active RDL modules are available for complete isolation if required. The RCX-A2 output jacks are transformer isolated from the balanced line input, and the input shield is separated from the case ground to reduce the possibility of induced hum. The RCX-A2 is not intended as an audio input panel.

The RCX-A2 fits directly into back boxes, available from RDL, to fit cabinets, US or European walls (RDL WB-1U). It may also be mounted directly into cabinets or most standard US single gang electrical boxes.

Wherever style, performance, and value are required for wall or cabinet mounted audio outputs, the RCX-A2 is the ideal choice. Use them individually or in conjunction with other RDL products as part of a complete audio/video system.

ACCESSORIES

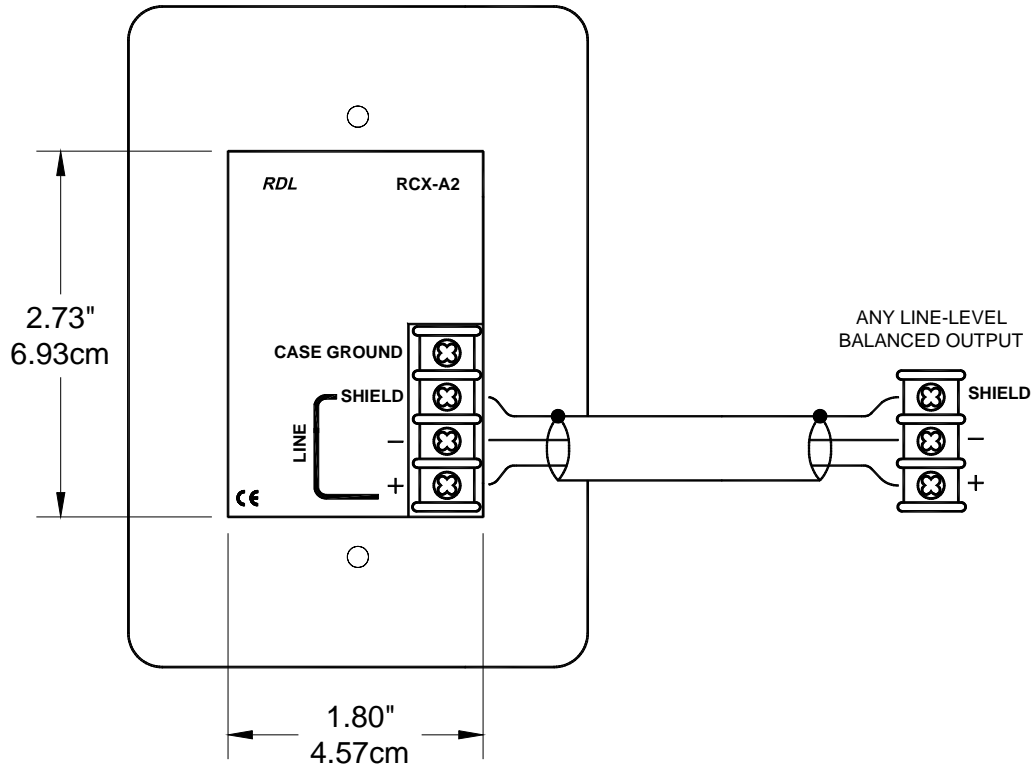
Model RCX-A2

Audio Output Panel

Installation/Operation



EN55103-1 E1-E5; EN55103-2 E1-E4
Typical Performance reflects product at publication time exclusive of EMC data, if any, supplied with product. Specifications are subject to change without notice.



TYPICAL PERFORMANCE

Input Level:	+4 dBu, nominal	
Input Connector:	Full size barrier block	
Input Impedance:	10 k Ω balanced bridging, monaural	
Output Connectors (2):	Phono jacks with gold contacts	
Input Connections (4):	CASE GROUND, SHIELD, +, -	
Frequency Response:	50 Hz to 20 kHz (+/- 1 dB)	
Attenuated Signal – Reverse Path:	< -50 dB (at 150 Ω balanced source output, +4 dBu reference, -10 dBV signal injected into output jack)	
Power Requirement:	Passive	
Overall Dimensions:	Height:	4.88 in. 12.40 cm
	Width:	3.39 in. 8.61 cm
	Depth:	1.29 in. 3.28 cm
Backbox Mounting Requirements:	Height:	2.73 in. 6.93 cm
	Width:	1.80 in. 4.57 cm
	Depth:	1.50 in. 3.81 cm