

PWBT1621 Ground Isolation Transformer for Panasonic Cameras

PRODUCT FEATURES

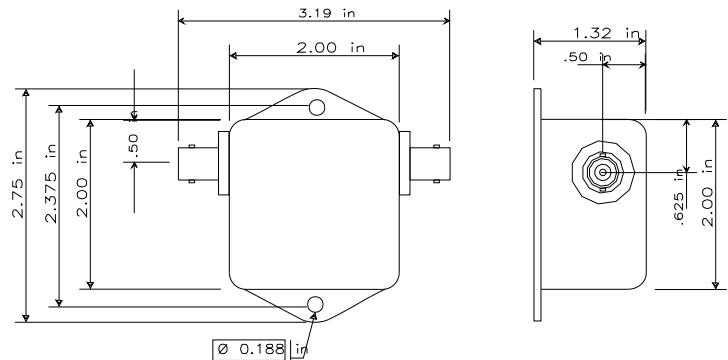
- Compatible with Panasonic fixed and unitized cameras
- Steel enclosure
- Female BNC input and output connectors



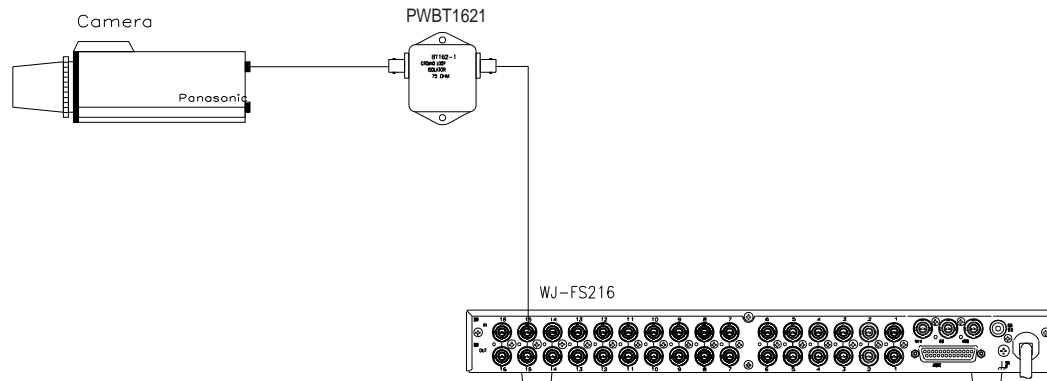
GENERAL SPECIFICATIONS

Sinusoidal Transmission Loss at 10kHz, 0.1V: 0.3dB; Bandwidth, 3db loss, 0.1V: 10Hz-25MHz
Noise Rejection Vmax, 20Hz, 5% distortion: 1Vrms
 Isolation at 60Hz: 120dB; Max. noise voltage at 60Hz: 1000Vp-p

Flange Mount Case Style 2"H x 2"W x 1.31"D
 Weights and dimensions shown are approximate. Specifications subject to change without notice.



SYSTEM CONFIGURATION



ARCHITECTS' AND ENGINEERS' BID SPECIFICATIONS

The video ground loop isolator shall be a Panasonic model PWBT1621 or equivalent. The ground loop isolator shall have a bandwidth of 10Hz-25MHz and shall pass the Panasonic "up the coax" control signals without interference. The ground loop isolator shall have a midband loss of 0.3dB at 10kHz, 0.1V; isolation of 120dB at 60Hz and a maximum noise voltage of 1000Vp-p at 60Hz. The ground loop isolator shall be enclosed in a nickel plated steel enclosure and shall have female BNC input and output with the shields isolated from the case.