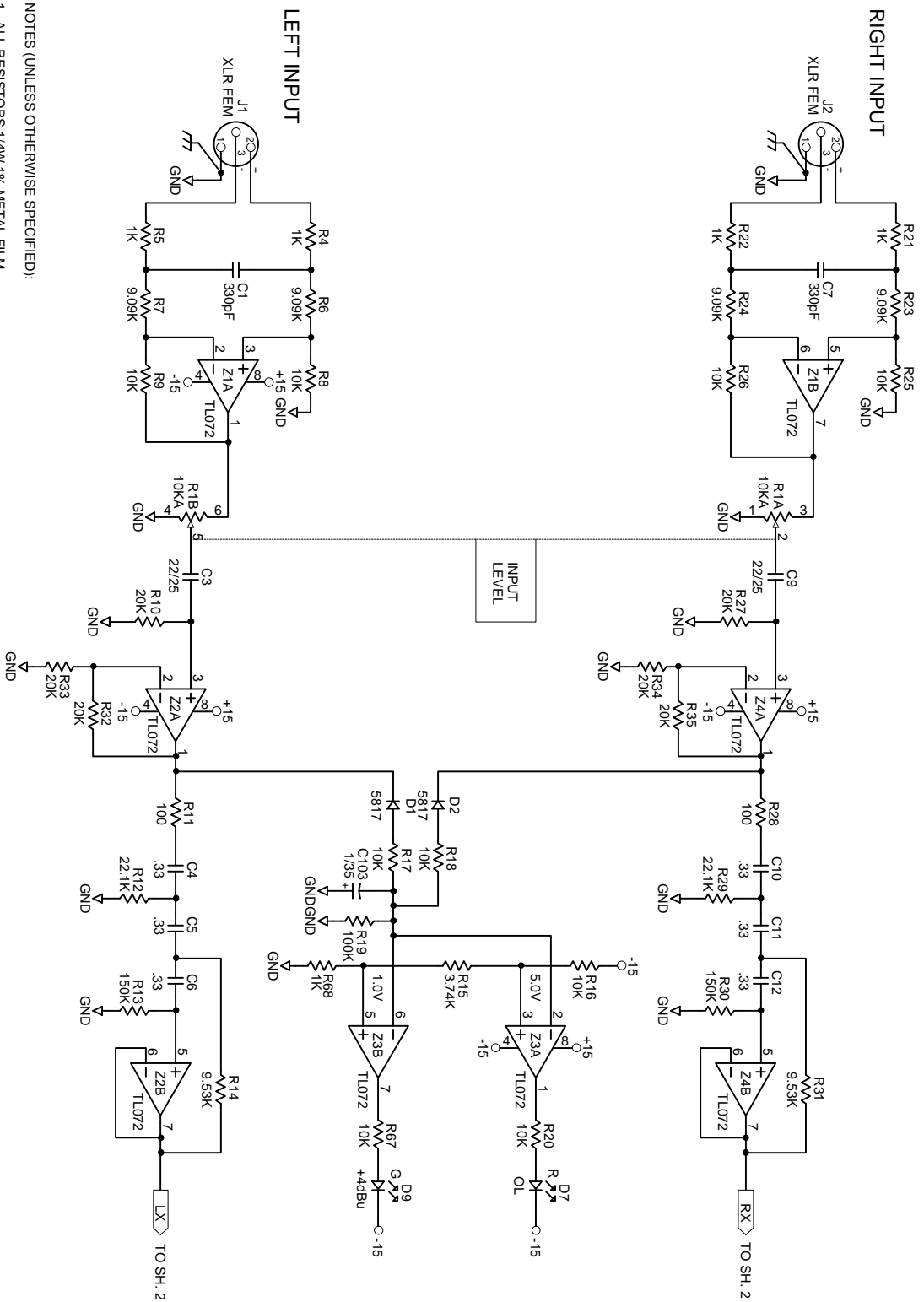


Rane Corp. (425)355-6000
 DOC# & DES: BOARD TITLE, PRODUCT NAME
 ACTION: WHAT, WHO, WHEN?



NOTES (UNLESS OTHERWISE SPECIFIED):

1. ALL RESISTORS 1/4W, 1% METAL FILM
2. ALL SWITCHES SHOWN IN THEIR 'OUT' OR 'OFF' POSITION

LOW CROSSOVER 100459-2-SCH
 MID/HIGH CROSSOVER 100459-3-SCH
 LOW/SUB OUTPUTS 100459-4-SCH
 MID/HIGH OUTPUTS/POWER 100459-5-SCH

ACTION: NO CHANGE TO PART
 NEW DOC# FJ 16LAN98
 SCHEM: INPUTS MX 23

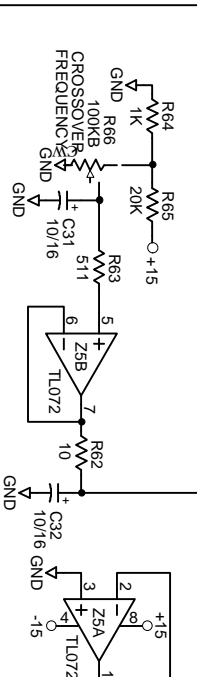
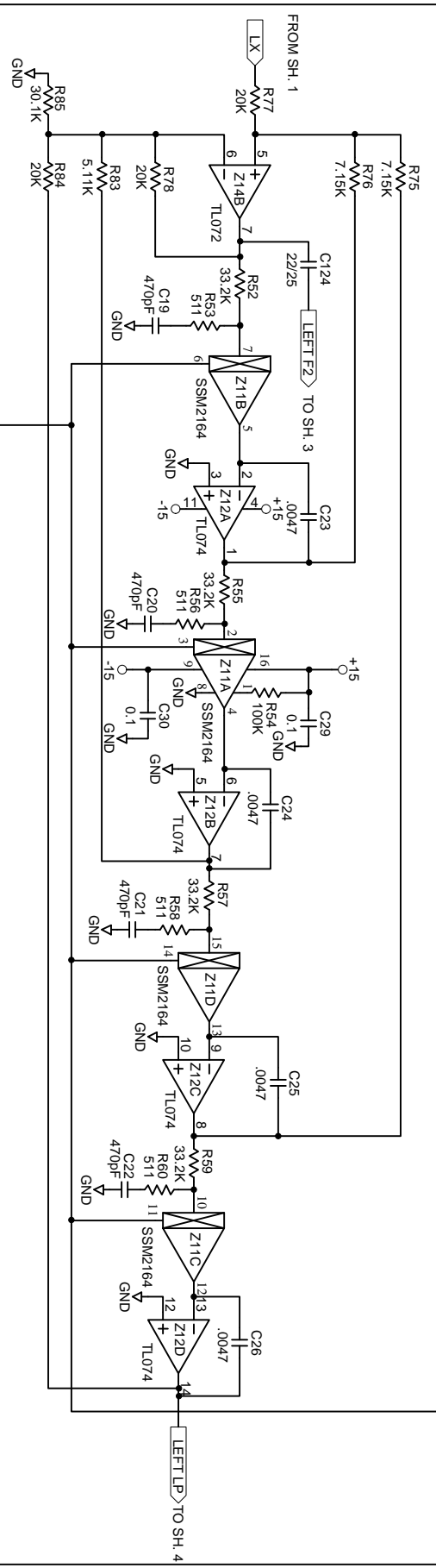
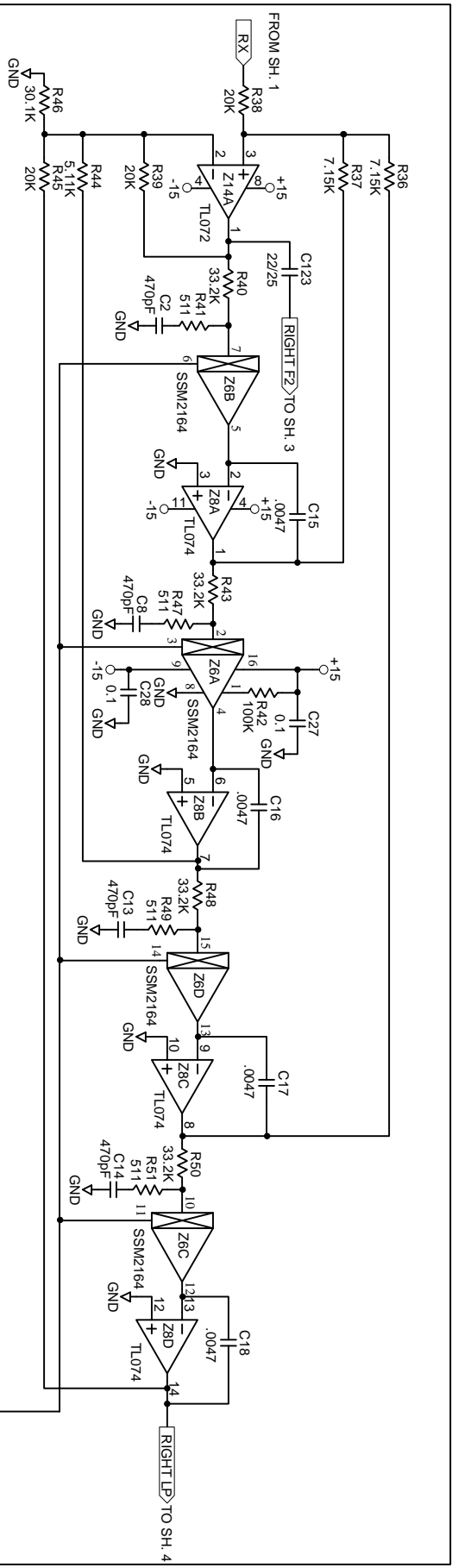
DRAWN BY: S HEADRECK
 CHECKED BY: R JEFFS



10802 47th Avenue West
 Mukwonago, WI 53091

SHEET: 1 of 5

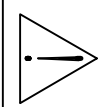
100459

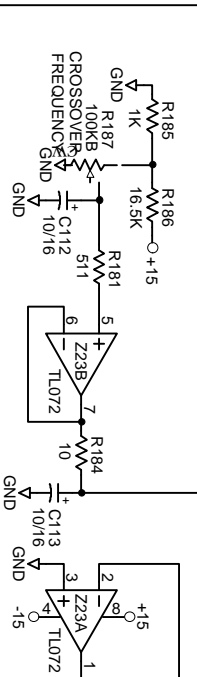
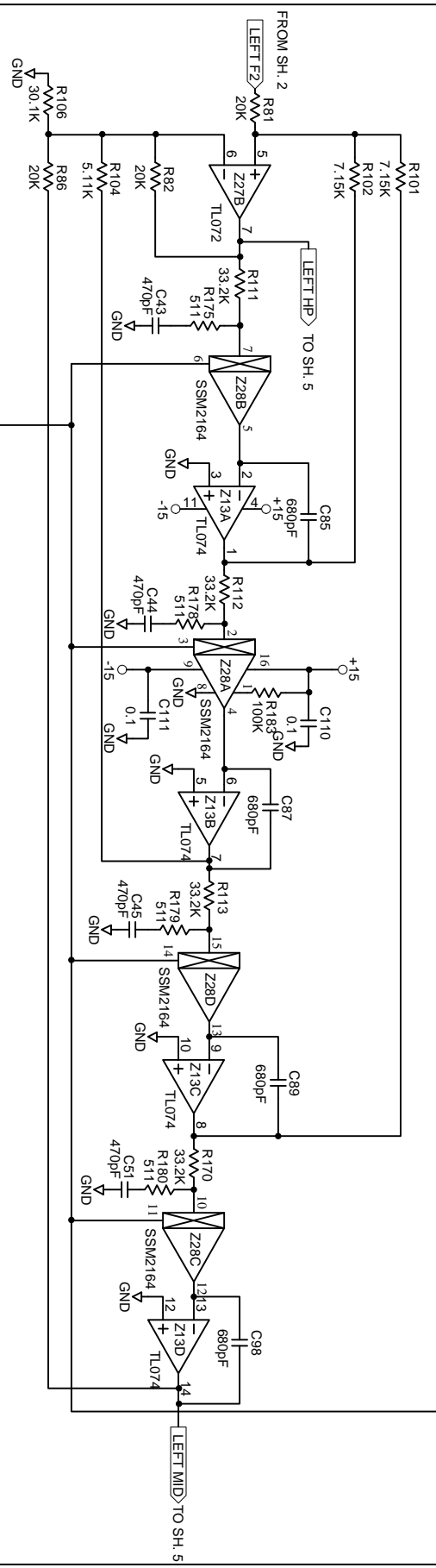
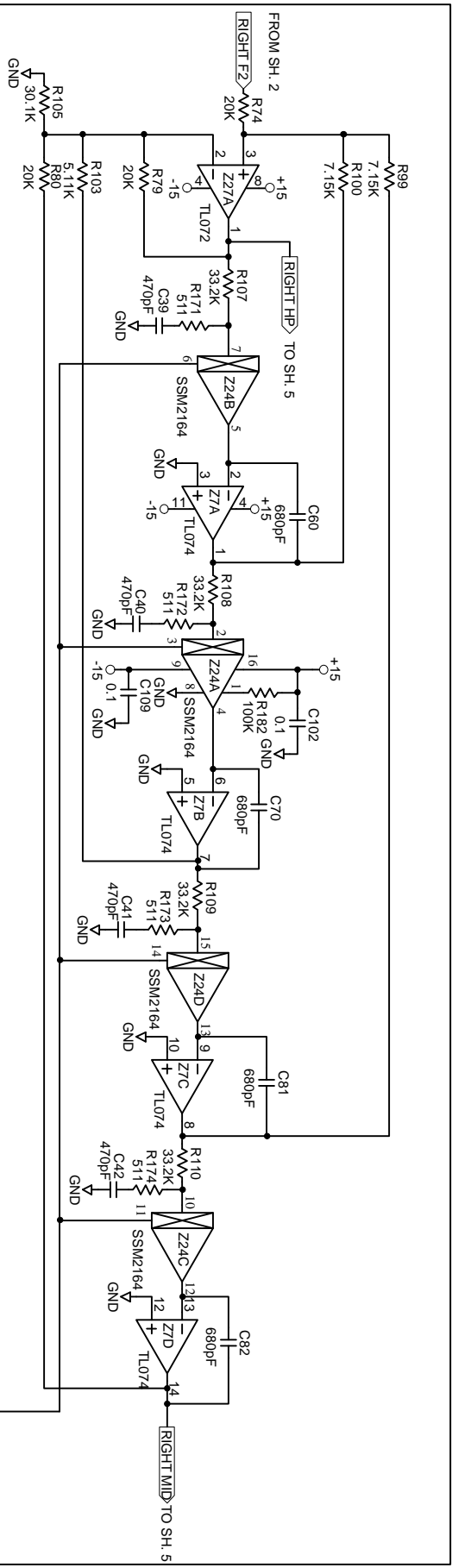


VOLTAGE RANGE = 7V -> 20V
 FREQUENCY RANGE = 80 Hz -> 1 kHz

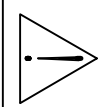
ACTION:		NO CHANGE TO PART.
DRAWN BY:		NEW DOC# FJ16ANV98
CHECKED BY:		R.JEFFS
DATE:		10/892 47th Avenue West Matthews WA 98275 5038
SHEET:		2 of 5
PART NUMBER:		100459

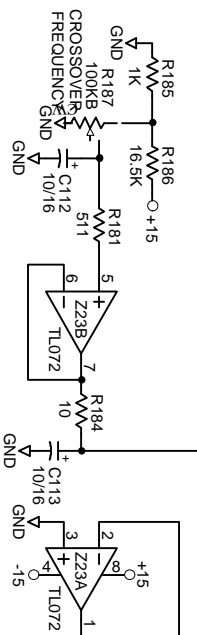
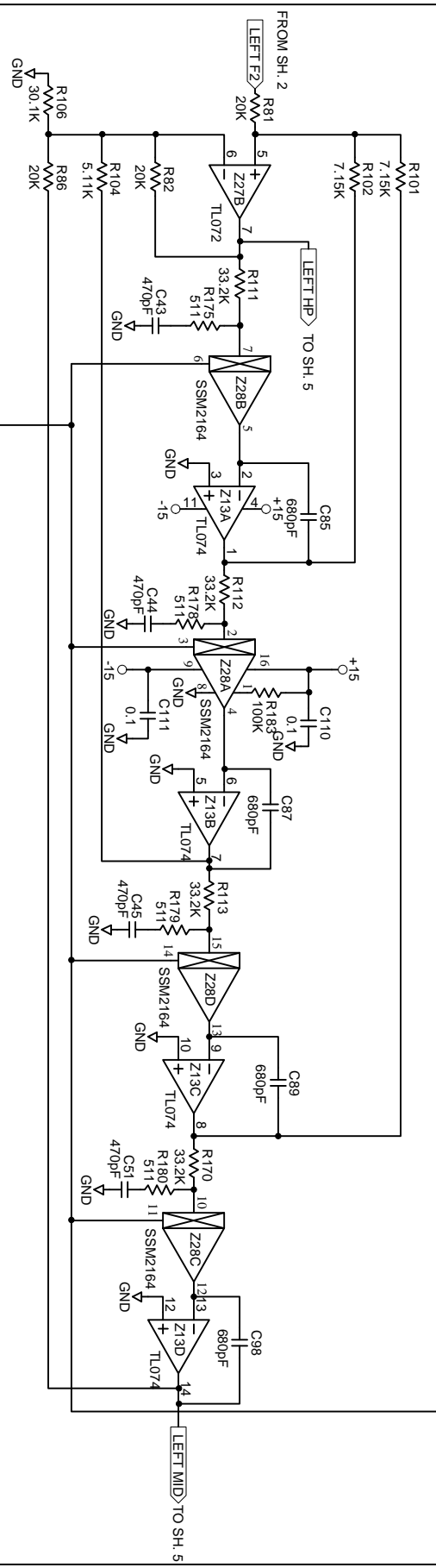
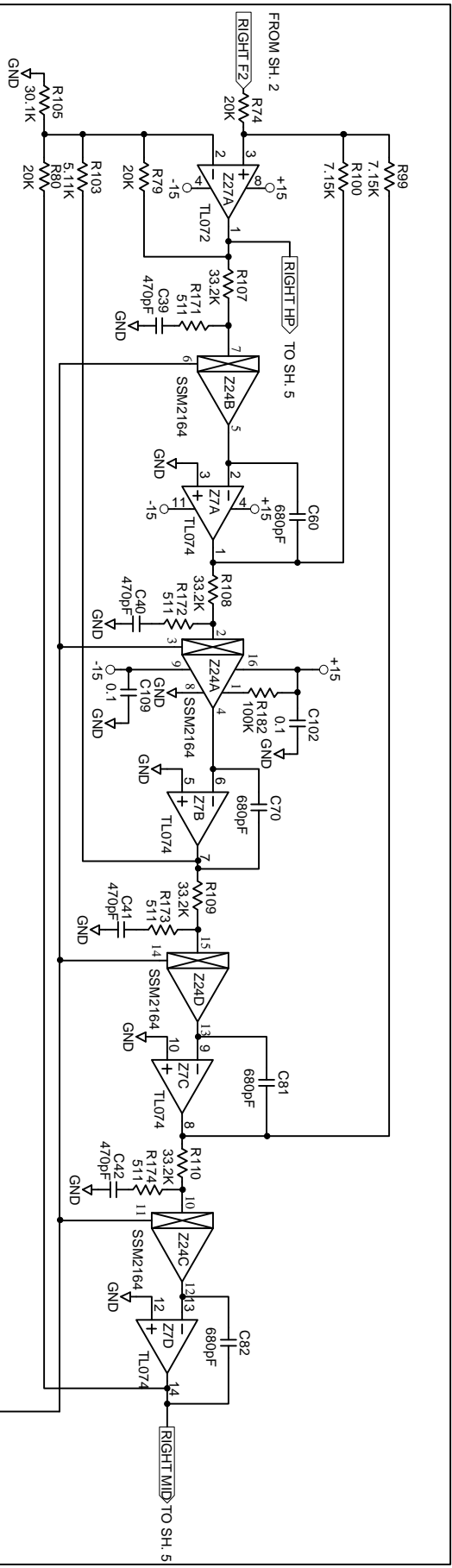
SCHEM: LOW XOVER MX 23



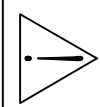


ACTION: NO CHANGE TO PART, NEW DOC# E1 I6/AN/98
 DRAWN BY: S HEADRICK
 CHECKED BY: R JEFFS
 10802 47th Avenue West
 Tukwila WA 98175-5038
SCHEM: MID/HIGH XOVR MX 23
 SHEET: 3 of 5
100459



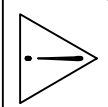
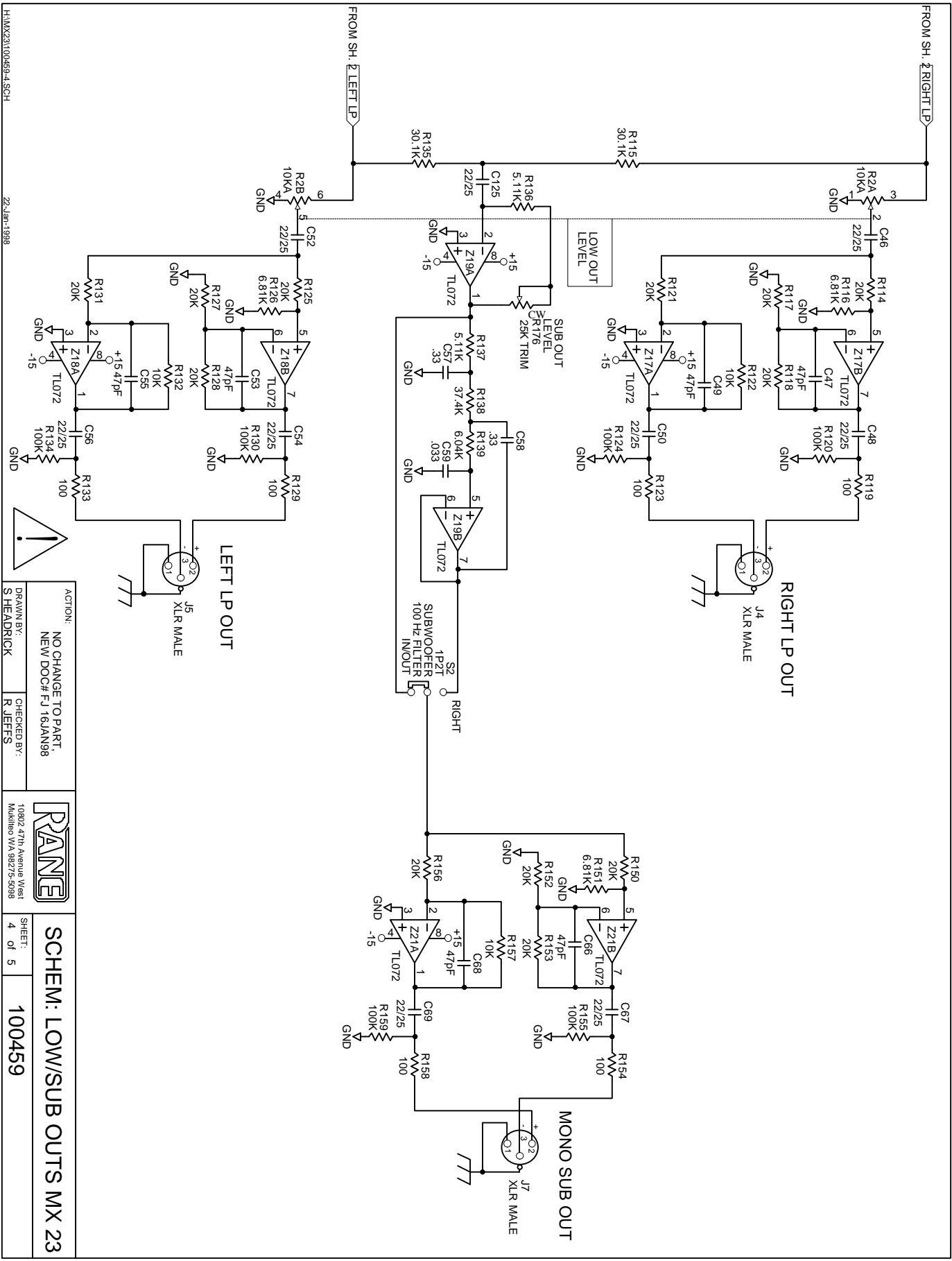


VOLTAGE RANGE = .83V -> 0V
 FREQUENCY RANGE = 350 Hz -> 7 kHz



ACTION:		NO CHANGE TO PART.	
DRAWN BY:		NEW/DOCH/EJ 16/JAN/98	
CHECKED BY:		R.JEFFS	
DRAWN BY:		R.JEFFS	
SHEET:		3 of 5	
SCHEM: MID/HIGH XOVR MX 23		100459	
DRAWN BY:		S HEADRICK	
CHECKED BY:		R.JEFFS	
DRAWN BY:		R.JEFFS	
SHEET:		3 of 5	
SCHEM: MID/HIGH XOVR MX 23		100459	





ACTION: NO CHANGE TO PART.
NEW DOG# FJ 16JAN98

DRAWN BY: S HEADRICK

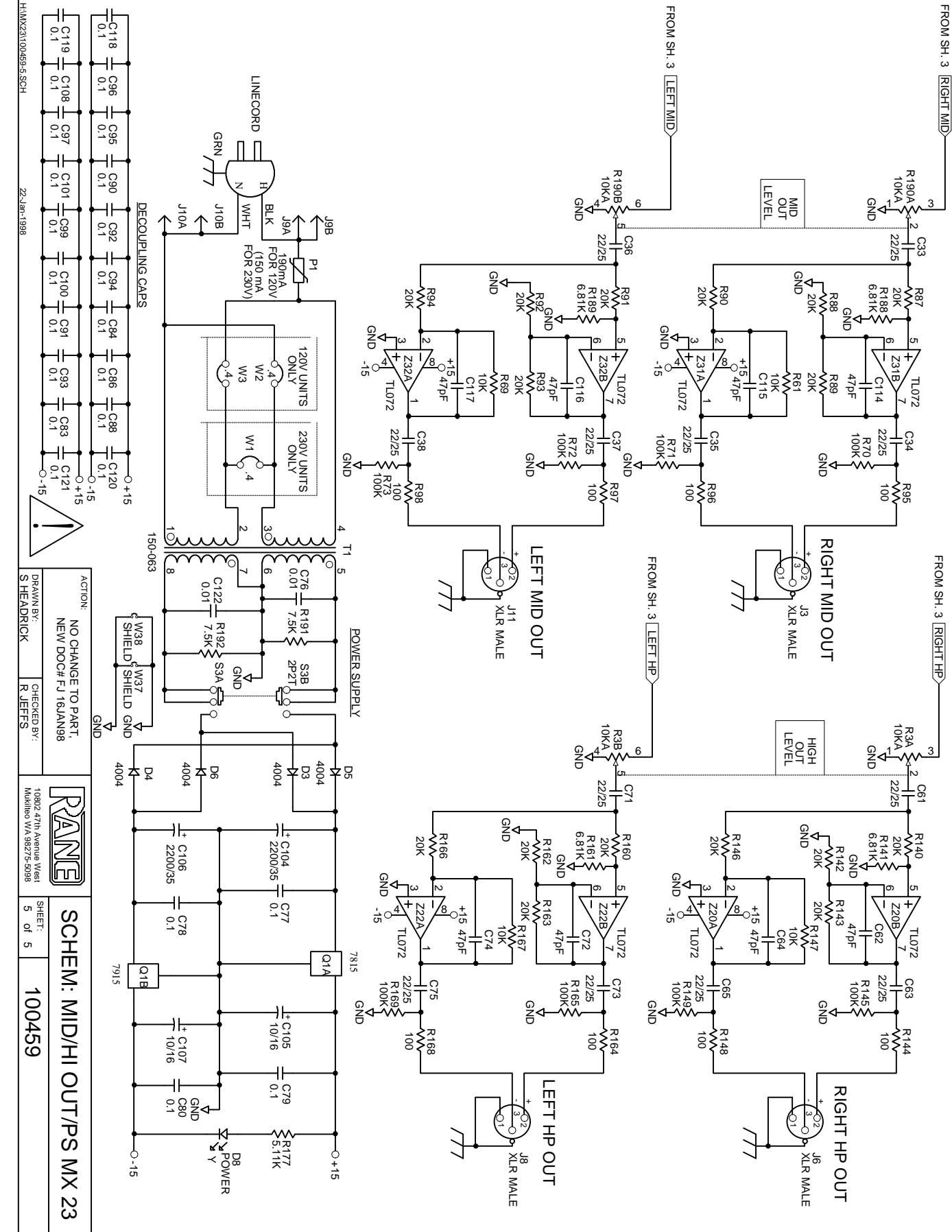
CHECKED BY: R JEFFS



SCHEM: LOW/SUB OUTS MX 23

SHEET: 4 of 5

100459



ACTION: NO CHANGE TO PART.
 NEW DOC# FJ 16AN98

SCHEM: MID/HI OUT/PS MX 23

10802 47th Avenue West
 Tukwila WA 98179-5098

SHEET: 5 of 5

100459

DRAWN BY: S HEADRICK
 CHECKED BY: R JEFFS