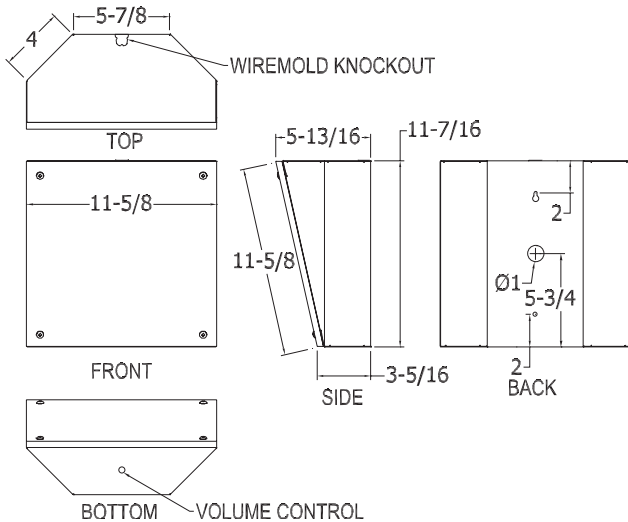


## 0102 - SURFACE MOUNTED SPEAKER SYSTEMS

01



LOUDSPEAKER ASSEMBLIES

### GENERAL DESCRIPTION

The Quam SYSTEM 9/VC is a complete loudspeaker assembly, with 8" frame loudspeaker, 25 and 70.7V universal transformer, volume control, charcoal gray cloth baffle and CRS enclosure. Finish: Black baked epoxy hybrid.

### INTENDED USE

Vertical surface mount, wall or corner position, down-angle firing, in an indoor environment.  
 Program Material: Signal tones, voice and music

### SYSTEM COMPONENTS

Loudspeaker	8C5PAX
Transformer	TBLU (5W - 25 and 70.7V, 5 taps at -3 dB levels)
Enclosure	SYSTEM 9/VC
Attenuator	Model VC - Continuous Attenuator

### RECOMMENDED ADDITIONAL QUAM COMPONENTS

None required

### AUDIO SPECIFICATIONS

Speaker Size	8" Frame
Average Sensitivity	96 dB SPL, 1W / 1M
Power Rating	12W RMS, EIA 426A Standard
Calculated Output	103 dB SPL, 5W / 1M
Frequency Response	65 Hz - 17 kHz EIA 426A Standard
Nominal Coverage Angle	90° Included Angle, -6 dB / 2 kHz, Half Space
Audio Connection	7" Long Tinned Wires, Pre-cut

Recommended construction sequences, installation instructions and A&E Specifications are available in various formats on the Quam Architects' and Engineers' Resources CD or on the web at [www.quamspeakers.com](http://www.quamspeakers.com)

### Quam-Nichols Company

234 East Marquette Road, Chicago, IL 60637  
 Phone (800) NEED NOW Fax (888) NEED NOW  
 (800) 633-3669 (888) 633-3669  
 E-Mail: [neednow@qnc.com](mailto:neednow@qnc.com) [www.quamspeakers.com](http://www.quamspeakers.com)

