

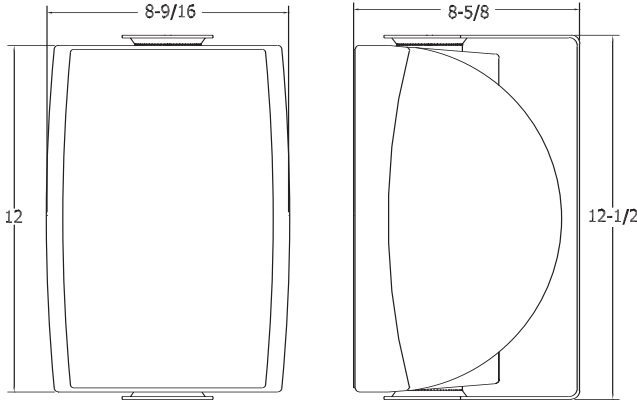


Quam

FM7X1/70

Foreground Music Speaker, Black

0101- FOREGROUND MUSIC SPEAKER SYSTEM



01

LOUDSPEAKER ASSEMBLIES

GENERAL DESCRIPTION:

The Quam FM7X1/70 is a complete, 2-way weather-resistant loudspeaker assembly; color-match aluminum grille and integral "U" mounting bracket. Internally mounted transformer with externally switched 70.7V or 8 Ohm operation. Finish color: Black

INTENDED USE:

Protected outdoor or indoor environment, surface mount, horizontal or vertical installation
Program Material: Signal tones, voice and music

SYSTEM COMPONENTS:

LF Speaker Size:	150mm diameter frame
HF Speaker Size:	25.4mm diameter
Transformer:	5 taps at -3 dB levels, 8 Ohm Rotary select switch

AUDIO SPECIFICATIONS:

Average Sensitivity:	91 dB SPL, 1W/ 1M
Power Rating:	30W RMS, EIA 426A Standard
8 Ohm Tap Output:	91 dB-SPL 1W/ 1M
Maximum Output:	103 dB SPL, 20W/ 1M, 70.7V mode
Frequency Response:	60 Hz - 20 kHz EIA 426A Standard
Nominal Coverage Angle:	90° Included Angle, -6 dB/ 2 kHz, Half space
Audio Connection:	Binding screw

Recommended construction sequences, installation instructions and A&E Specifications are available in various formats on the Quam Architects' and Engineers' Resources CD or on the web at www.quamspeakers.com

RECOMMENDED ADDITIONAL QUAM COMPONENTS:

- None required-

Quam-Nichols Company

234 East Marquette Road, Chicago, IL 60637
Phone (800) NEED NOW Fax (888) NEED NOW
(800) 633-3669 (888) 633-3669
E-Mail: neednow@qnc.com www.quamspeakers.com

