



Control[®] 226C/T 6.5" Coaxial Ceiling Loudspeaker with HF Compression Driver

Professional Series

Key Features:

- ▶ Consistent 120° broadband pattern control for exceptional coverage.
- ▶ Coaxial design featuring:
 - Kevlar-reinforced 165 mm (6.5 in) woofer
 - 25 mm (1 in) compression driver.
- ▶ Extraordinary clarity for speech and vocals with extended frequency response for music.
- ▶ 150 Watts Power Handling.
- ▶ Advanced high-slope crossover network for constant coverage and smooth, natural midrange.
- ▶ Integrated back can with clean, contemporary grille.

Applications:

The JBL Professional Control 226C/T is a premium in-ceiling professional loudspeaker designed for applications requiring superior quality sound in ceiling-mount applications. Delivering exceptional next-generation performance in a medium format coaxial point source design, the Control 226C/T incorporates breakthrough performance features such as best-in-class pattern control to provide a consistent sound throughout the listening area. Especially wide coverage allows fewer speakers to cover the space, reducing both the material and labor cost for the installation.

The Control 226C/T features a 165 mm (6.5 in) Kevlar-reinforced low frequency driver coupled with a 25 mm (1 in) exit titanium compression driver for outstanding reliability and performance. The system is complete with a pre-attached back can and is designed for years of maintenance free use.

Easy to install, the Control 226C/T features JBL Professional's proven C-Ring with Tile Rail suspension system. Installation can be accomplished from beneath the ceiling structure for instances when access above the ceiling tile is not possible. Additionally, the removable multi-pin locking connector, with secure screw-down terminals, allows for pre-wiring the input wires for easy clip-on convenience during installation.

A top quality, low saturation 60 Watt multi-tap transformer comes pre-attached on the Control 226C/T enabling the system to be used on 70V or 100V distributed speaker lines. The system can be used in either 8 ohm (low impedance) or transformer mode by selecting the desired function via the baffle mounted impedance switch.

The clean, contemporary look of the Control 226C/T's grille is designed to suit a variety of settings, offering a simple, elegant appearance that fits into a wide variety of décors.



Preliminary Specifications:

System: Frequency Range (-10 dB) ¹ :	47 Hz - 19 kHz
Frequency Response (±3 dB) ¹ :	74 Hz - 17 kHz
Coverage Pattern ² :	120° conical, broadband
Directivity Factor (Q):	6 (1 k - 16 kHz)
Directivity Index (DI):	7.9 dB (1 k - 16 kHz)
Long-Term System Power Rating, IEC ³ :	150 W (600 W peak), 2 hrs
Power Rating, IEC ³ :	100 W (400 W peak), 100 hrs
Sensitivity (2.83V @ 1 m):	90 dB ⁴ measured half-space 95 dB ⁵ computed for competitive comparison
Maximum SPL ⁶ :	112 dB continuous average (118 dB peak)
Crossover Network:	2.2 kHz, 3rd order (18 dB/oct) high-pass plus conjugate to HF, 3rd order low-pass to LF.
Nominal Impedance (bypass mode):	8 ohms
Transformer Taps:	70 V: 60 W, 30 W, 15 W & 7.5 W 100 V: 60 W, 30 W & 15 W
Transducers: Low Frequency Driver:	165 mm (6.5 in) Kevlar reinforced cone
High Frequency Driver:	25 mm (1 in) exit compression driver
Enclosure: Input Connectors:	Two removable locking 2-pin connector with screw-down terminals. Max wire 12 AWG (2.5 mm)
Tap Settings:	1) + in, 2) - in, A) + loop thru, B) - loop thru
	8 ohm 7.5 W @ 70V, 15 W @ 100V 15 W @ 70V, 30 W @ 100V 30 W @ 70V, 60 W @ 100V 60 W @ 70V, n/c @ 100V
Safety Agency Rating:	In accordance with IEC60849 / EN60849. Transformer UL Listed per UL1876.
Dimensions (Diameter x Depth):	Ø 330 mm (13 in) round baffle x depth from back of baffle of 246 mm (9.7 in)
Cutout Size:	30 mm (12.0 in)
Net Weight:	9.1 kg (20.0 lb)
Shipping Weight (in pairs):	23.9 kg (52.5 lb)
Included Accessories:	Press-in Grille, C-Ring, Tile Rails.
Optional Accessories:	MTC-19NC New Construction Bracket MTC-19MR Mud Ring Construction Bracket

¹In half space (in ceiling)

²Average 1 kHz to 16 kHz

³IEC standard, full bandwidth pink noise with 6 dB crest factor.

⁴Measured in half space (in ceiling), ave 100 Hz - 10 kHz

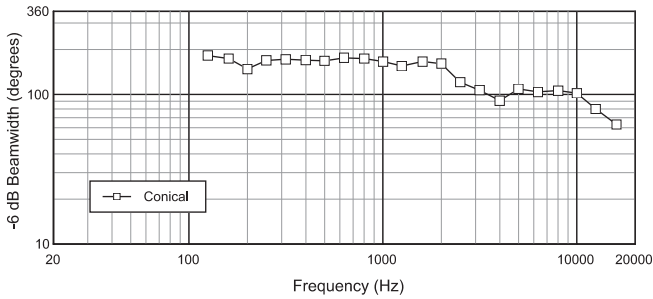
⁵Measured in full space with 6 dB added for half-space calculation. Method used by some European manufacturers, listed for comparison purposes.

⁶Calculated based on power rating and measured half-space sensitivity, exclusive of power compression.

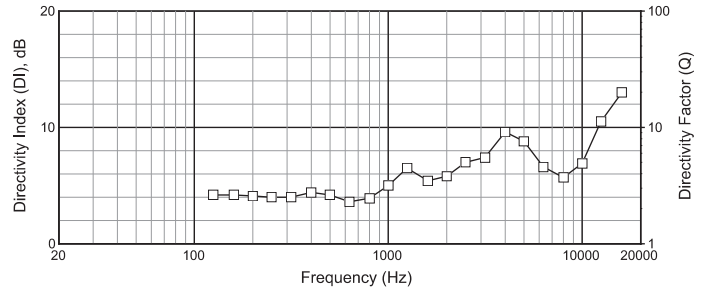
JBL continually engages in research related to product improvement. Some materials, production methods and design refinements are introduced into existing products without notice as a routine expression of that philosophy. For this reason, any current JBL product may differ in some respect from its published description, but will always equal or exceed the original design specifications unless otherwise stated.

▶ Control® 226C/T 6.5" Coaxial Ceiling Loudspeaker

Beamwidth:

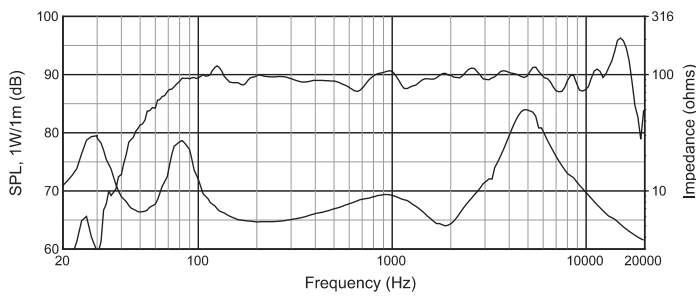


Directivity Index:

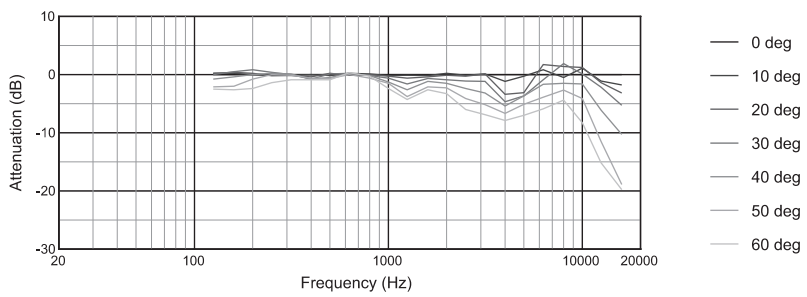


Frequency Response:

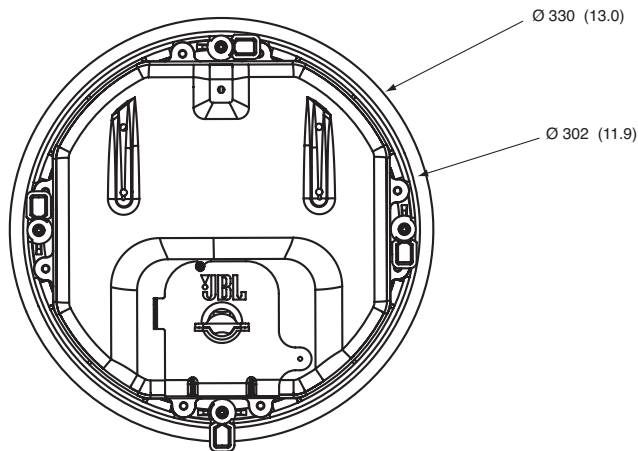
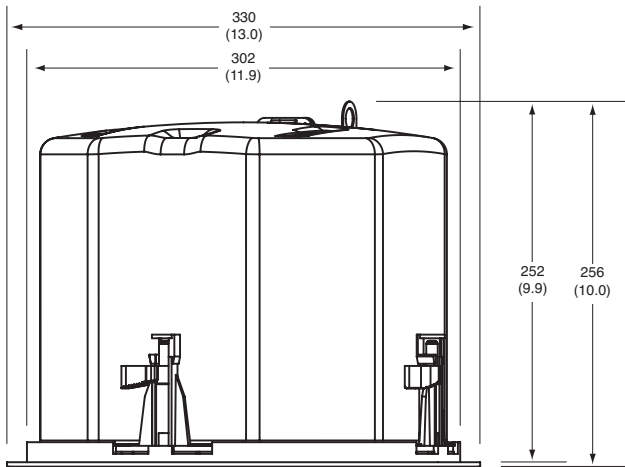
Half-space (2π , mounted in ceiling) in .75 cu ft Backbox



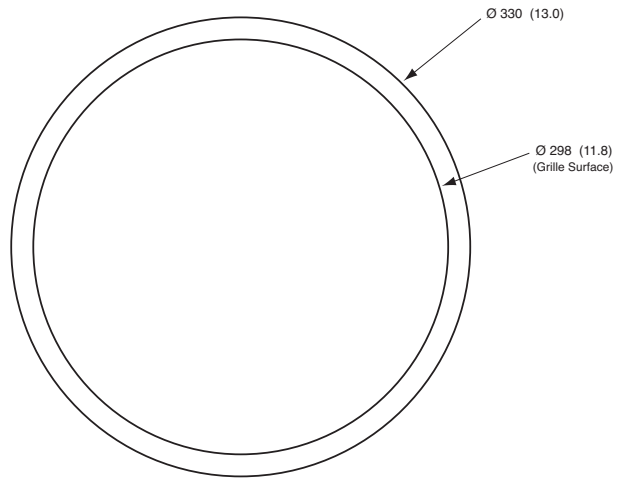
Horizontal Off-Axis Frequency Response:



Dimensions:



All measurements obtained without signal processing. Graphs are from unaltered measurement data.



Dimensions in mm (in)



JBL Professional
8500 Balboa Boulevard, P.O. Box 2200
Northridge, California 91329 U.S.A.

© A Harman International Company
© Copyright 2007 JBL Professional

SS C226C/T
CRP 5M
01/07