

**GENERAL INFORMATION**

SmartBars are small linear dimmer bars that allow direct fixture mounting. Simple to use, the SmartBar provides a practical and versatile distributed dimming solution for small venues, rental applications and industrial presentations. The only connections needed are main power and DMX data.

**APPLICATIONS** Applications requiring distributed dimming and position flexibility:  
 Industrial productions  
 Rental productions  
 Convention and conference centers  
 Multi-use venues: gymnasiums, cafeteriums, multimedia rooms  
 TV Studios  
 Casinos  
 Discos

**FEATURES** Suitable for portable or permanent installation  
 2, 4 or 6 dimmer versions available  
 Digital forward-phase dimming  
 Convection cooled  
 Integrated suspension points for fixtures  
 Choice of output connectors  
 DMX 512 compliant  
 LCD display with graphic channel level indication  
 Local manual control for stand alone operation  
 User-selectable dimmer curves  
 Individual channel features: non-dim, max & min levels, response speed  
 20 chases or sequences

**ORDERING INFORMATION**

**SmartBar**

Model#	Description
SB4-6-A	4 x 6A (720W) SmartBar with Edison connectors
SB4-6-B	4 x 6A (720W) SmartBar with Stage Pin connectors
SB4-6-C	4 x 6A (720W) SmartBar with Twist-Lok connectors
SB2-10M-A	2 x 10A (1200W) SmartBar with Edison connectors
SB2-10M-B	2 x 10A (1200W) SmartBar with Stage Pin connectors
SB2-10M-C	2 x 10A (1200W) SmartBar with Twist-Lok connectors
SB6-10M-A	6 x 10A (1200W) SmartBar with Edison connectors
SB6-10M-B	6 x 10A (1200W) SmartBar with Stage Pin connectors
SB6-10M-C	6 x 10A (1200W) SmartBar with Twist-Lok connectors

**SmartBar Accessories**

Model#	Description
400CC	C-Clamps
400SC	Safety cable
ST	SmartStand and adapter (casters optional)

**Suggested Fixtures**

Model#	Description
S4 jr	Source Four junior or junior zoom ellipsoidals
S4 PAR	Source Four PAR EA or MCM*
S4	Source Four ellipsoidals*

\* Lamped at 375W or 575W based on SmartBar power capacity

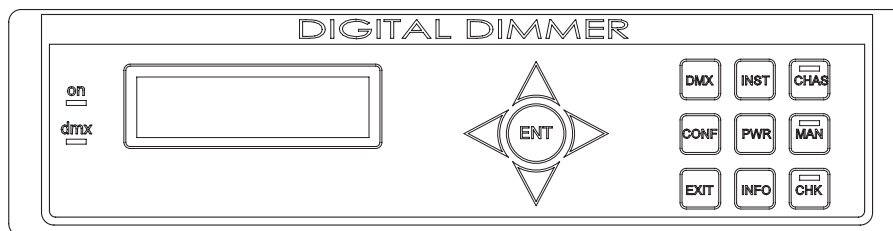


## SPECIFICATIONS

<b>GENERAL</b>	2, 4 or 6 dimmer versions available 4 x 6A, 2 x 10A and 6 x 10A UL Listed Installation requires attachment of safety cables, main power via flexible cable and data via DMX
<b>MECHANICAL</b>	Manufactured of strong, thick walled aluminum with a black anodized finish Integrated sleeved suspension points for fixtures and for mounting hardware (C-clamps or stand adapters) Supplied with five 3-1/2" long, 1/2" bolts and appropriate hardware for fixture mounting Convection cooled - operates without cooling fans or filters.
<b>ELECTRICAL</b>	120/208V 60Hz Mains supply 4 x 6A and 2 x 10A: Single phase 2-wire plus ground, 20A feed 6 x 10A: Three phase 4-wire plus ground, 20A feed Total load can not exceed capacity of main power connection (wall outlet, 15A, 20A) Input Power via an attached flexible 12' SO feed cord and bare-ends (connector not supplied) 10W Minimum load per dimmer Edison, Stage Pin or Twist-Lok outlets (1 per circuit) Single duplex auxiliary outlet centered on bar 6A units: fuse for load protection per dimmer 10A units: circuit breaker for load protection Quality rise time filtering measured at 120us (6A) and 320us(10A)

<b>THERMAL</b>	Maximum ambient temperature of 104°F (40° C) Humidity between 30 – 95% non-condensing Natural convection cooling from front-mounted heatsinks Optimum cooling when mounted horizontally with the control panel vertical
<b>CONTROL FEATURES</b>	DMX512 In and Thru via 5Pin XLR connectors Supports up to 32 SmartBars on one DMX line High contrast 2-line by 20-character backlit LCD with graphic channel level indication 9-button keypad plus arrow array and Enter button 2 status LED indicators: Power and Valid DMX Soft patch any dimmer to any DMX channel Programmable options per channel: max/ min levels, response time, non-dim operation, dimmer curve Local manual control and 20 chase patterns for stand alone operation Programmable start modes with soft start for higher wattage lamps and burst start for cold filaments DMX Backup settings - Selectable Data Loss Behavior Password protection for access to DMX, Configuration and Install menus

## CONTROL PANEL



**ENT & cursor arrows:** ENT (Enter) completes a programming step and records the information in the memory. The four cursor arrows provide navigation through the set-up menu, and the means to enter data.

**DMX:** Selects DMX address per channel when the single mode is selected or the first address of the group when the joined mode is selected.

**INST:** Install function. To set-up dimmer functionality during installation with options as follows:

- DMX configuration (individual or combined)
- Channel configuration (individual or combined)
- Channel information
- Password set-up
- Dimmer hardware configuration
- Minimum level reset (preheat off when DMX is not present)
- Factory reset
- Sleep mode
- DMX backup levels
- DMX failure options

**CHAS (with LED):** Chase. Provides set-up for the dimmer's internal chase system for stand-alone display effects (The LED illuminates when the dimmer is in the 'chase mode)

**CONF:** Configure. Access to a sub-menu to set the detailed configuration for individual or combined dimmer channels

**PWR:** Power. This function is not available in this product line.

**MAN:** Manual. Provides manual control of each channel for circuit testing and pre-setting

**EXIT:** Returns to the opening screen menu option without recording changes.

**INFO:** Information. Provides a display of the nominal supply voltage and installed software version

**CHK (with LED):** Check. Displays a log of any circuit or dimmer faults (LED illuminates if an error occurs)

**ON LED:** Illuminates blue when power is applied.

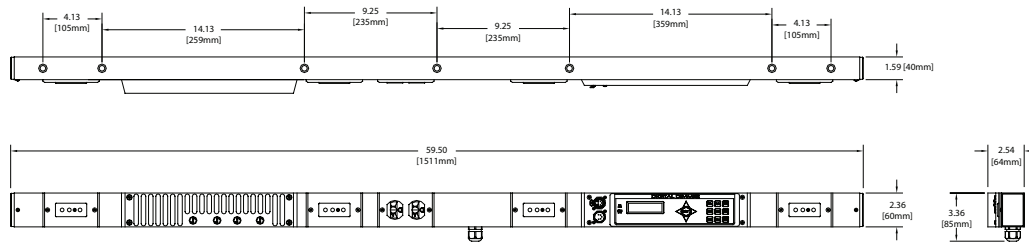
**DMX LED:** Illuminates red continuously when valid DMX is present. LED flashes when there is no DMX signal.

### PHYSICAL

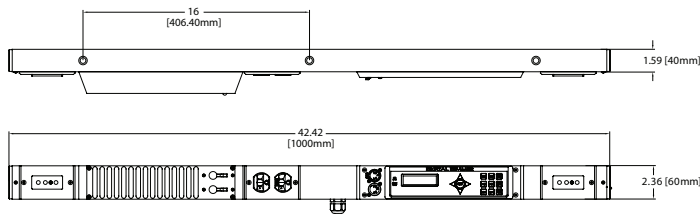
#### SmartBar Dimensions and Weights

Model	Height		Width		Length		Weight	
	inches	mm	inches	mm	inches	mm	lbs	kgs
SB4-6	2.36	60	2.6	40	59.5	1500	12	5.5
SB2-10	2.36	60	3.1	80	42.5	1000	15	6.8
SB6-10	2.36	60	3.1	80	87.4	2200	27.8	12.6

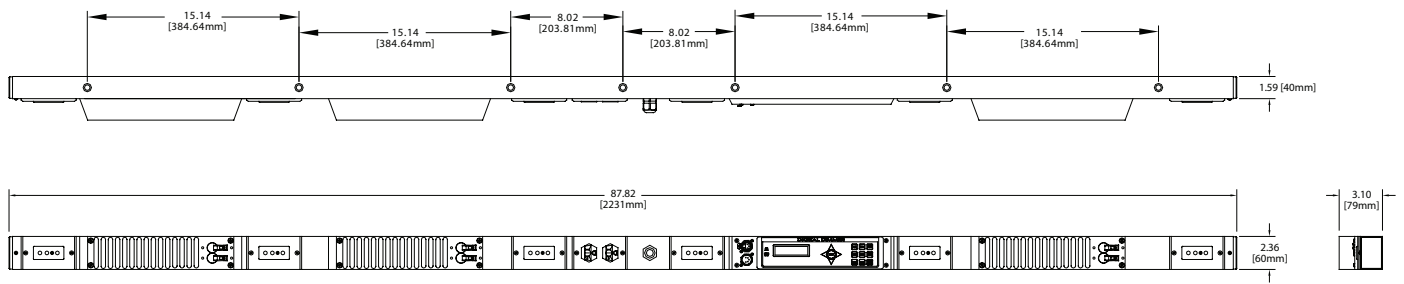
#### SB4-6-B



#### SB2-10M-B

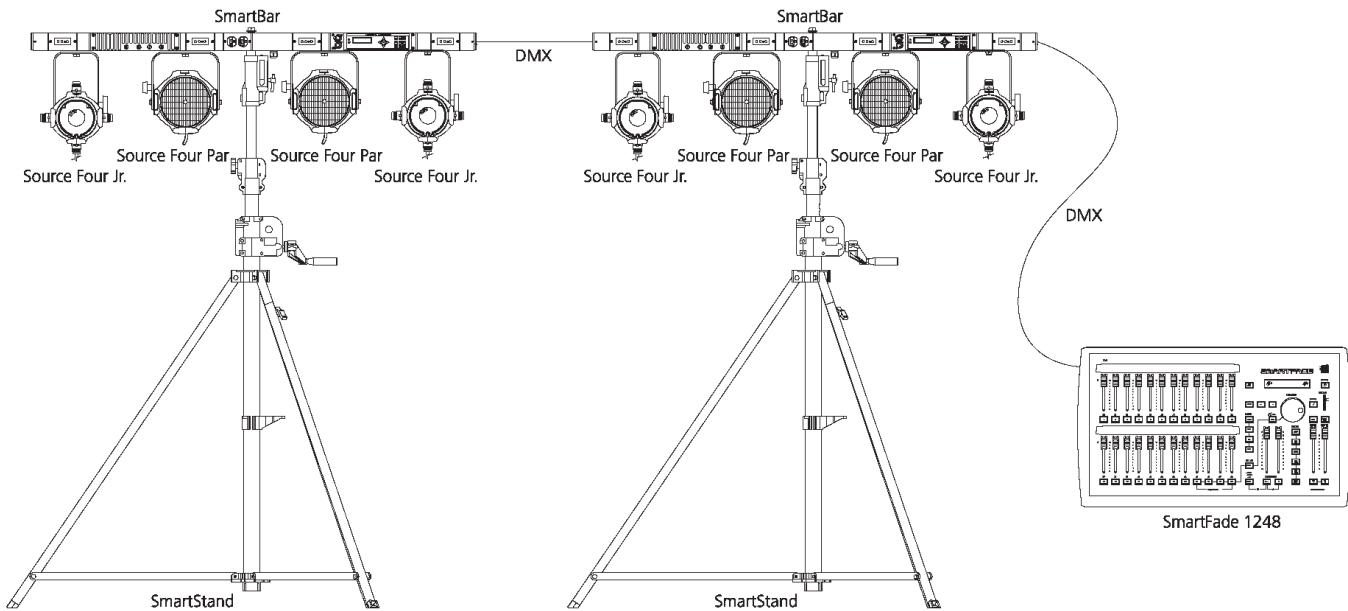


#### SB6-10M-B



### TYPICAL APPLICATIONS

#### SmartBars on SmartStands



#### SmartBar with C-clamps on pipe

