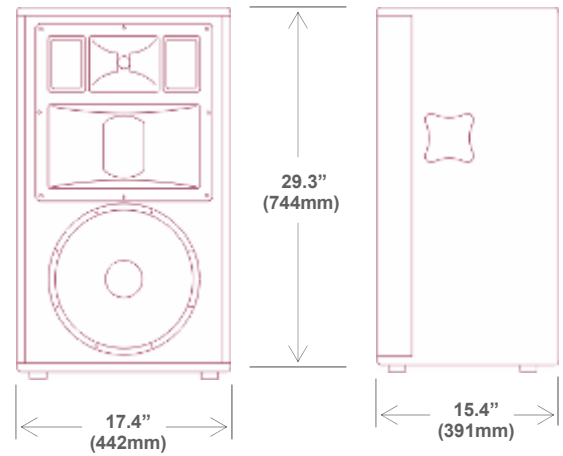


Community



SONUS-3294

THREE-WAY FULL-RANGE LOUDSPEAKER SYSTEM



Description

The SONUS-3294 is a three-way, ruggedly built full-range loudspeaker system suitable for a wide variety of portable usage and fixed installation work.

Featuring mid-range and high-frequency drivers loaded by geometrically correct hand-laid fiberglass waveguides, the SONUS-3294 provides improved pattern control over that of two-way designs, making it ideally suited for use in difficult reverberant environments, as well as in long-throw outdoor applications.

Its exceptionally high power and low distortion enables it to handle the full gamut of musical styles from classical and jazz, to house, dance, trance and rock, all with ease.

Employing advanced technologies usually found only in the highest price touring systems, the SONUS-3294 is characterized by tight, punchy bass, a smooth mid-range, and clear, detailed high frequencies.

Its carefully designed crossovers provide flat acoustic power response throughout the critical mid-range region, while its exclusive internal DYNA-TECH™ circuitry protects against abusive conditions. The SONUS-3294 provides rental companies, Mobile DJs and professional musicians with superb results that belie its compact size and affordable price.

Applications

- **Concerts**
- **Mobile DJ**
- **Theatre**
- **Touring**
- **Clubs**

Features

DYNA-TECH™
Dynamic Protection

Switchable Bi-amp /
Single-amp Operation

Switchable Music /
Speech Voicing

Ferrofluid Treated
MF & HF Drivers
Improves Cooling

Non-Resonant, Non-
Metallic HF Diaphragm
for Reduced Distortion

Carbon Ring Cone
Technology Provides
30% More Piston Area
with Increased Excursion
Capability

Dual NL4 and Dual
1/4" Input / Output
Connectors

SYSTEM

Format: Three-way full-range, vented bass, switchable passive or bi-amp x-over. Rotatable fiberglass horn

Operating Range: 60 Hz - 20 kHz

Frequency Response: 90 Hz - 16 kHz (±3 dB)

Dispersion (-6 dB): 90° H x 40° V

Maximum SPL @1m: 123 dB continuous / 130 dB peak

Crossover Frequency: 800 Hz / 3 kHz

Sensitivity in SPL: 100 dB (100 Hz - 12,500 Hz, 1/3 octave)
(1W/1m free space) 100 dB (250 Hz - 4 kHz, speech range)

Max Power Handling: 200W RMS
(passive) 500W Program / 990W Peak

Impedance (passive): Nominal 8Ω / Min. 2.5Ω at 9.2 kHz

TRANSDUCERS

Low Frequency: 12" (304mm) 200W RMS
500W Program, 8Ω

Mid-Frequency: 6.5" (165mm) 100W RMS
250W Program, 8Ω

High Frequency: 1" (25.4mm) 100W RMS
125W Program, 4Ω

MECHANICAL

Enclosure: 11-ply cross-laminated birch

Finish: Black catalyzed polyester paint

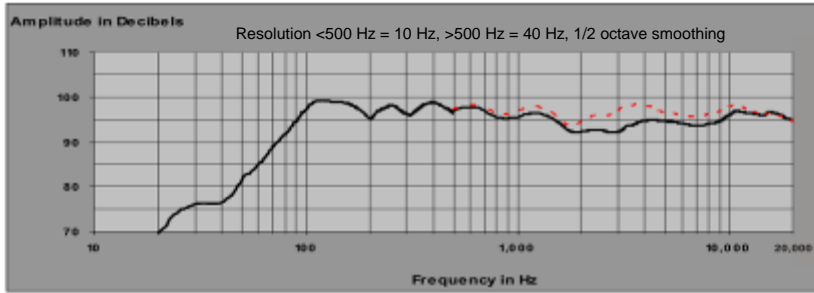
Rigging Provisions: 10 - M10 threaded rigging fittings¹
(four on top, four on bottom,
two on rear)

Grille: Steel, powder coated black

Dimensions: 29.3" (744mm) x 17.4" (442mm) x
H x W x D 15.4" (391mm)

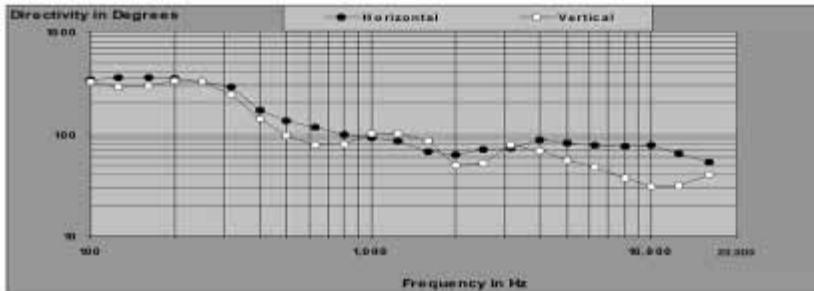
Net Weight: 53 lbs / 24 kg

SONUS-3294 THREE-WAY FULL-RANGE LOUDSPEAKER SYSTEM



FREQUENCY RESPONSE

Note: Response may be altered by use of *Presence Switch*. The dotted red line depicts the MUSIC position; the solid black line depicts the SPEECH position.



BEAMWIDTH

Note: Indicates Horizontal and Vertical Directivity Index in Degrees vs. Frequency.

Recommended Power: 400 to 525 WRMS¹ at 8Ω

Recommended High-Pass Filter: 60 Hz, 24 dB/octave

¹WRMS = Watts Root Mean Square

Accessories



Padded Transport Covers
Protect your SONUS loudspeakers from scratches and mars.
Model CVR-S32



Eyebolt Kit

Suspend your SONUS loudspeakers safely and easily.
Model M10EYBLTKIT

Vertical Fly Kit

One kit lets you fly two SONUS enclosures in a splayed array; two kits let you fly three enclosures, and so on. **Model VFKIT**



Seat Track Rigging Kit

The quick-release fittings get your SONUS enclosures up in the air and back down again, quickly and safely.
Model STKIT



Support Stand

Elevates a full-range SONUS loudspeaker using the subwoofer as the base.
Model SB5



Community Professional Loudspeakers, 333 East Fifth Street, Chester, PA USA 19013-4511
TEL: 610-876-3400 · FAX: 610-874-0190 · www.communitypro.com