


ACCESSORIES SERIES

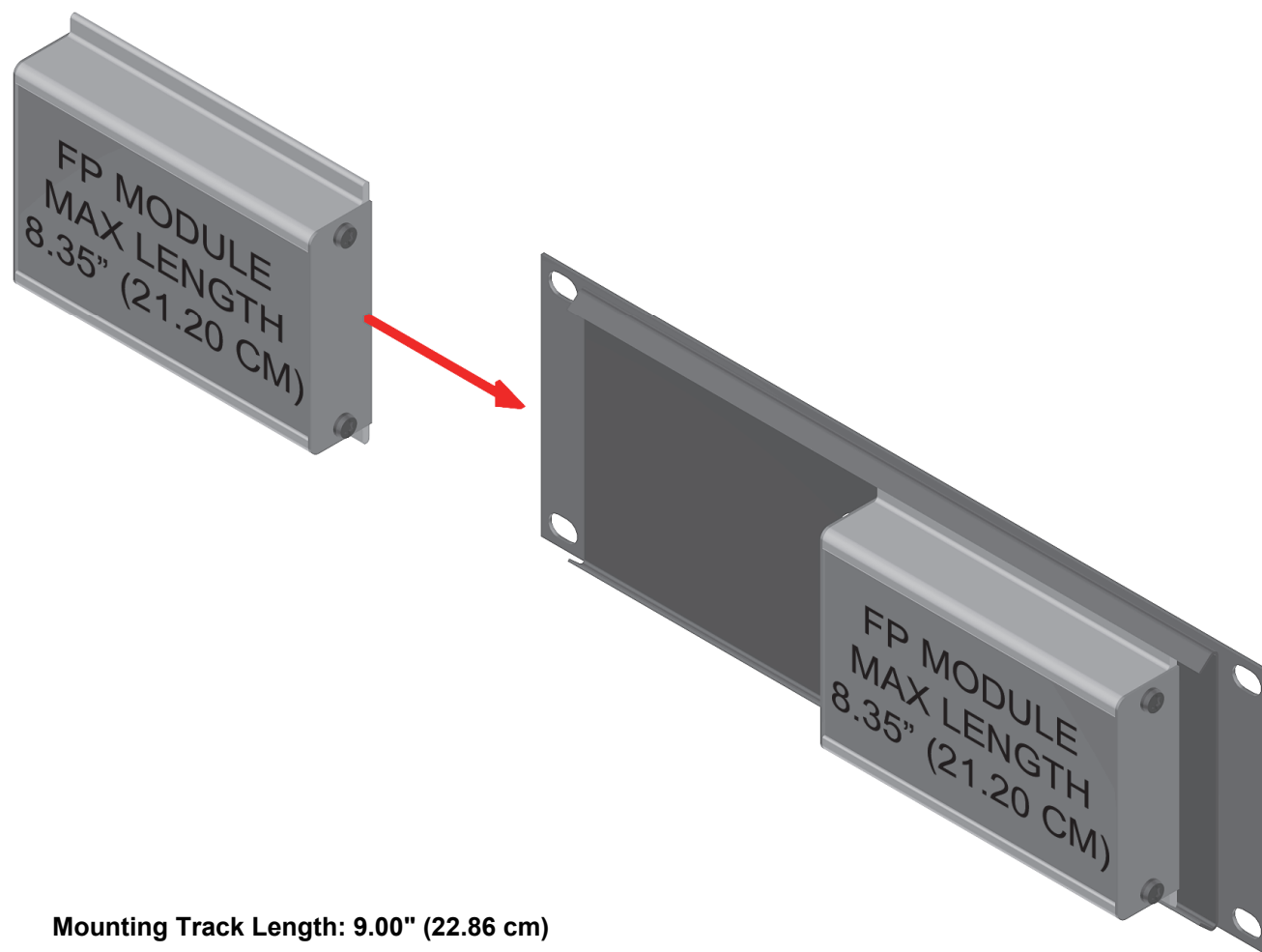
Model FP-HRA

10.4" Rack Adapter

FLAT PAK™ Series

Installation/Operation

 Declaration of Conformity available from rdlnet.com.
Sole EMC specifications provided on product package.
Specifications are subject to change without notice.



Mounting Track Length: 9.00" (22.86 cm)

Required mounting length for multiple modules is the module length plus .65 in (1.65 cm) for each power interconnection.