

VIA16 PoE Ethernet Switch, 16 Port, eDIN

#6716



PRODUCT OVERVIEW

The VIA16 is a 10/100 Ethernet switch with sixteen copper ports and two gigabit mini-GBIC ports for SFP modules. Designed to mount to 35mm DIN rail, this compact switch is engineered specifically for sACN data distribution using Pathport Gateways, Choreo controllers, Cognito consoles and NSB or Vignette architectural wall stations.

Management features, such as VLANs, DHCP and IGMP multicast filtering, are configured with Pathscape software, freely available for download. Two gigabit SFP receptacles allow you to connect to larger networks with advanced features such as RSTP and EAPS for complete redundant backup.

FEATURES

- 35mm DIN-rail mountable
- Features including IGMP querier and snooping, DHCP per VLAN, Dante-compliant QoS option, Art-Net to sACN conversion
- Silent operation - fanless, convection cooled design
- Acts as PoE (Power-over-Ethernet) source to connected devices, up to 15W per port, on ports 1 through 12
- Settable properties include Switch Name, Port Name, IP Address, Subnet Mask, Default Gateway, VLAN configuration, Link speed, PoE allocation, DHCP pool, IGMP filtering
- Reported properties include PoE usage, Serial Number, MAC address, firmware version, connected devices (LLDP compliant), link status, bandwidth usage
- Sixteen RJ45 ports support 10/100Base-T speeds
- Two mini-GBIC ports for SFP fiber modules (1000Base-LX or 1000Base-SX)

SPECIFICATIONS

- 20-50 VDC power input, 10 watts maximum (Switch only)
- 48-50 VDC power input, 190 watts maximum (including 180 watts for 12 PoE devices)
- Class 3 PoE on ports 1-12 (maximum 15.4 watts per port)
- Operating Conditions: 14°F-118°F (-10°C to +48°C); 5-95% relative humidity, non-condensing

STANDARDS COMPLIANCE

- IEEE 802.1AB Link Layer Discovery Protocol
- IEEE 802.3af - Class 3 Power-over-Ethernet (with external supply)
- California Title 1.81.26, Security of Connected Devices
- CE
- RoHS 2011/65/EU

WEIGHTS AND DIMENSIONS

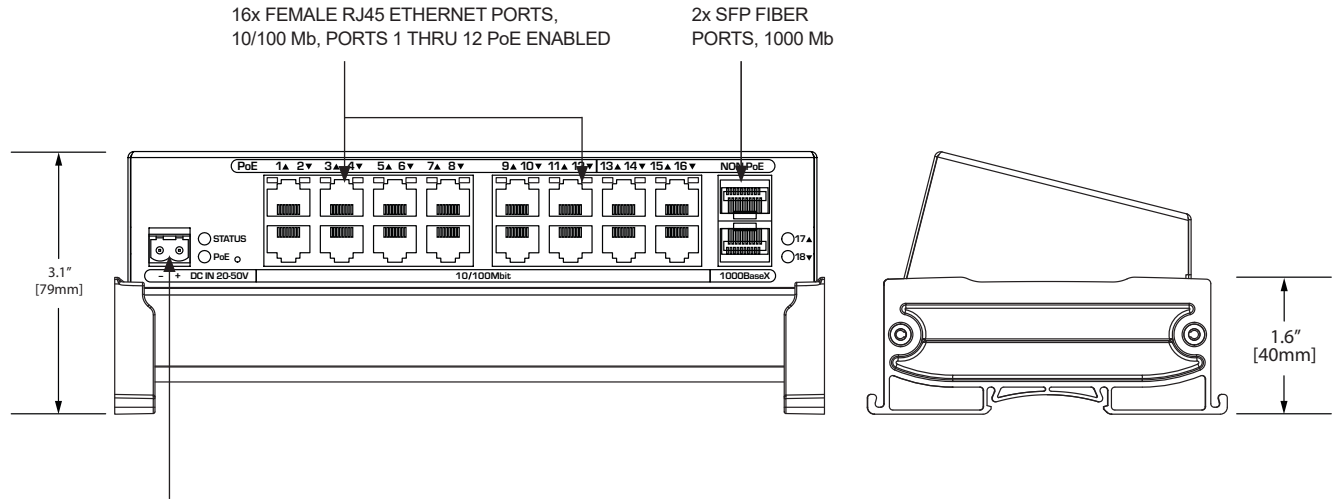
- 1.08 lbs (0.49 kg)
- 8"W x 3.1"D x 4"H (203mm x 79mm x 102mm)

INCLUDED FURNISHINGS

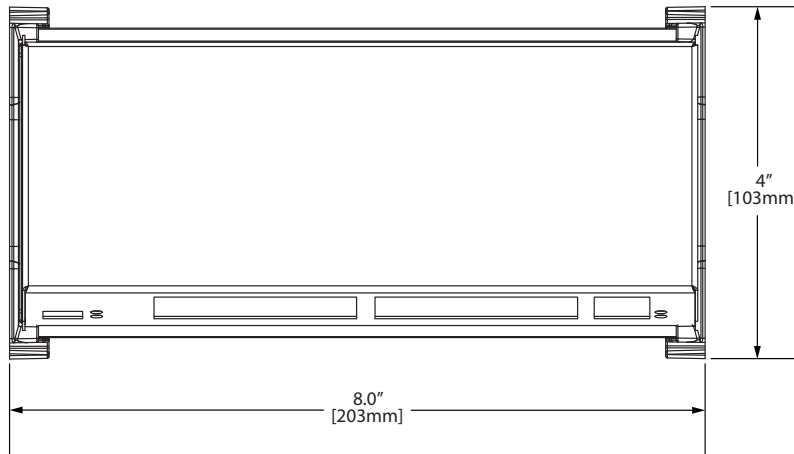
- DIN tray (housing) with end caps
- 11" (280mm) piece of 35mm DIN rail

6716

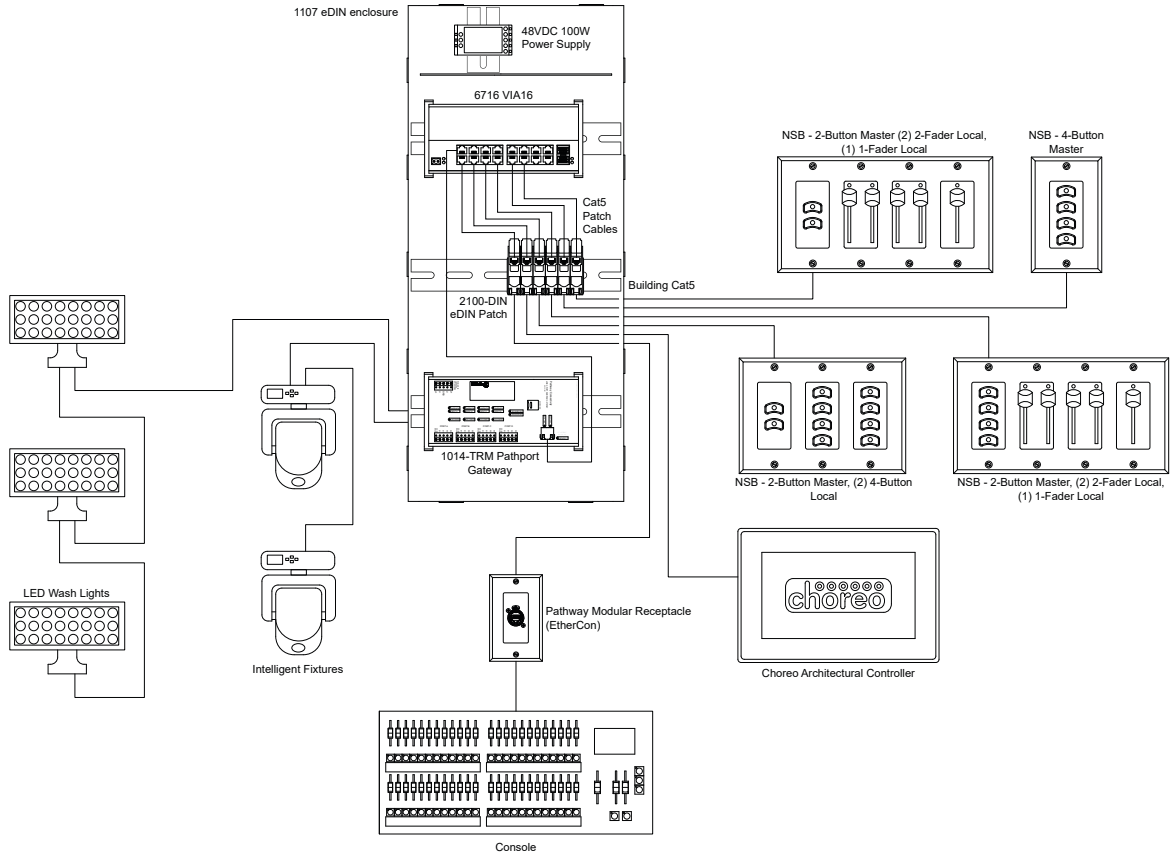
DIMENSIONS AND CONNECTIONS



POWER IN:
48-50VDC 100W-240W for PoE operation; power consumption depends on attached devices' power requirements
20-50VDC 10W for Switch Only, no PoE



APPLICATION RISER



ORDERING INFORMATION

PART #	DESCRIPTION
6716	VIA16 PoE Ethernet Switch, 16 Port, eDIN
ACCESSORIES	
2100-DIN	eDIN RJ45 patch (lot of 4) (3.5" of rail for 4)
1001-100-48-DIN	100 Watt, 48VDC Power Supply, DIN-Mountable
1103	eDIN Rack Mount Panel, 2RU high, two 16.5" DIN Rail
1105	eDIN System Enclosure, 10" x 13" x 4.5" c/w One 9" Vertical DIN Rail
1106	eDIN System Enclosure, 10" x 23" x 4.5" c/w One 19" Vertical DIN Rail
1107	eDIN System Enclosure, 10" x 23" x 4.5" c/w Three 9" Horizontal DIN Rail
1108	eDIN System Enclosure, 10" x 13" x 4.5" c/w Two 9" Horizontal DIN Rail
1109	Expanded eDIN System Enclosure, 18.5" x 31.5" x 6.5" c/w Three 24" Vertical DIN Rail, One 18" DIN Rail in Class 1 section, two 3-gang knockouts in removable door