

# MIPRO®

## User Guide

MA-101B

Personal UHF Wireless Public Address System



MA-101G

Personal 2.4 GHz Wireless Public Address System



**MIPRO®**  
MICROPHONE PROFESSIONALS

**MIPRO Electronics Co., Ltd**  
Headquarters: 814 Pei-Kang Road, Chiayi, 60096, Taiwan  
Tel : +886.5.238.0809 Fax : +886.5.238.0803  
www.mipro.com.tw mipro@mipro.com.tw



2CE578B

All rights reserved. MN 019/04

Do not copy or forward without prior approvals MIPRO.

Specifications and design subject to change without notice.


## ! IMPORTANT SAFETY INSTRUCTIONS !


1. Read these instructions.
2. Keep these instructions.
3. Heed all warnings.
4. Follow all instructions.
5. Do not use this apparatus near water.
6. Clean only with a dry cloth.
7. Do not block any ventilation openings. Install in accordance with the manufacturer's instructions.
8. Do not install near any heat sources such as radiators, heat registers, stoves, or other apparatus (including amplifiers) that produce heat.
9. Do not defeat the safety purpose of the polarised or ground plug: A polarised plug has two blades with one wider than the other. The wide blade is provided for your safety. When the provided plug does not fit into your outlet, consult an electrician for replacement of the obsolete outlet.
10. Protect the power cord from being walked on or pinched particularly at plug, convenience receptacles, and the point where they exit from the apparatus.
11. Only use attachments / accessories specified by the manufacturer.
12. Use only with a cart, stand, tripod, bracket, or table specified by the manufacturer, or sold with the apparatus. When a cart is used, use caution when moving the cart / apparatus combination to avoid injury from tip-over.
13. Unplug this apparatus during lightning storms or when unused for long periods of time.
14. Refer all servicing to qualified service personnel. Servicing is required when the apparatus has been damaged in any way, such as power-supply cord or plug is damaged, liquid has been spilled or objects have fallen into the apparatus, the apparatus has been exposed to rain or moisture, does not operate normally, or has been dropped.
15. To reduce the risk of fire or electric shock, do not expose this apparatus to rain or moisture.
16. Apparatus should not be exposed to dripping or splashing and no objects filled with liquids, should be placed on the apparatus.
17. Use only with the battery which specified by manufacturer.
18. The power supply cord set is to be the main disconnected device.




## WARNING

1. **FOR OUTDOOR USE:**  
To reduce the risk of fire or electric shock, do not expose this apparatus to rain or moisture.
2. **UNDER WET LOCATION:**  
Apparatus should not be exposed to dripping or splashing and no objects filled with liquids, such as vases should be placed on the apparatus.
3. **SERVICE INSTRUCTIONS:**  
**CAUTION** - These servicing instructions are for use by qualified service personnel only. To reduce the risk of electric shock, do not perform any servicing other than that contained in the operating instructions unless you are qualified to do so.



 This symbol indicates that dangerous voltage constituting a risk of electric shock is present within this unit.

 This symbol indicates that there are important operating and maintenance instructions in the literature accompanying this unit.

### **FC & IC - ID**

THIS DEVICE COMPLIES WITH PART15 OF THE FCC RULES AND RSS-123 ISSUE2 OF CANADA. OPERATION IS SUBJECT TO THE FOLLOWING TWO CONDITIONS:

- (1) This device may not cause interference.
- (2) This device must accept any interference, including interference that may cause undesired operation of the device. This equipment complies with FCC RF radiation exposure limits set forth for an uncontrolled environment.



"This product can only be used at the area that the altitude is lower than 2000m for safety purpose."



"This product can be used in non-tropical locations only for safety purpose."

**Disposal** Dispose of any unusable devices or batteries responsibly and in accordance with any applicable regulations.



2005-08-13

Disposing of used batteries with domestic waste is to be avoided!

Batteries / NiCad cells often contain heavy metals such as cadmium(Cd), mercury(Hg) and lead(Pb) that makes them unsuitable for disposal with domestic waste. You may return spent batteries/ accumulators free of charge to recycling centres or anywhere else batteries/accumulators are sold.

By doing so, you contribute to the conservation of our environment!

I. Part Names, Fig. 1

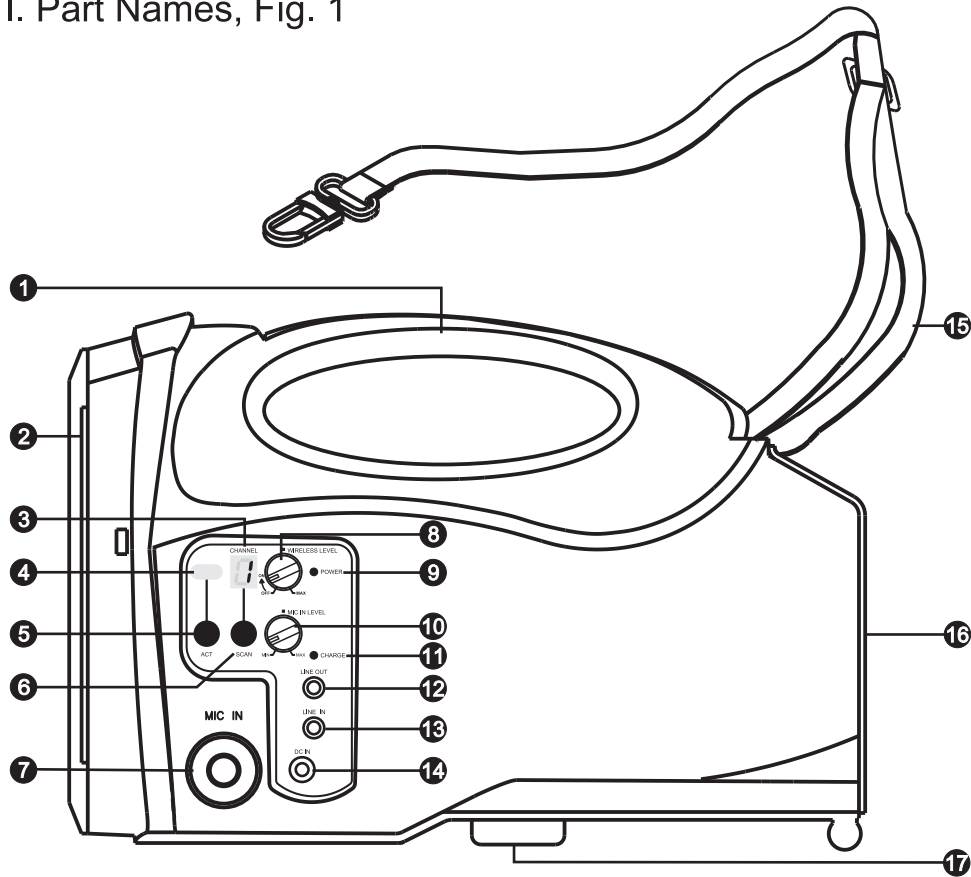


Fig. 1

- ① Molded Carry Handle
- ② Speaker
- ③ CHANNEL Indicator
- ④ Receiver ACT (Sync) Window
- ⑤ Receiver ACT (Sync) button
- ⑥ Receiver Channel SCAN button

- ⑦ 6.3 Ø Wired Dynamic Mic Input Jack
- ⑧ Power Switch/Wireless Mic Volume Control
- ⑨ Power on Indicator Light
- ⑩ Wired Mic Volume Control
- ⑪ Battery Charging Indicator
- ⑫ 3.5 Ø Line Output Connector
- ⑬ 3.5 Ø Line Input Connector
- ⑭ DC Power Input Jack
- ⑮ Adjustable Shoulder Strap
- ⑯ Rechargeable Battery Compartment Cover
- ⑰ Microphone Stand Adapter

## II. Operating Instructions

### 1. Operating Wired Microphone:

- Plug a 6.3 Ø wired dynamic microphone into Mic Input Jack **7** and turn on wired microphone volume control.
- Turn on Power Switch **8**, Power on indicator light glows red **9**.
- Adjust Wired Mic Volume Control **10** for desired volume level.
- Both wired and wireless microphones can be used simultaneously.

### 2. Operating Wireless Microphone:

- Turn on Power Switch **8**, Power on indicator light glows red **9**.
- Power on indicator light **9** glows from red to green after handheld transmitter microphone or bodypack transmitter is turned on.
- Adjust Wireless microphone volume control **6** for desired volume level.
- Same wireless microphone (transmitter) can transmit simultaneously to multiple wireless PA systems to increase the sound levels and expand the coverage area. (Each MA-101G ID Code, however needs to be programmed to the same code of each other).

### 3. Auxiliary Input (Line Input):

Connect a line-level audio source into the 3.5 Ø line input jack **13** and power on **8**. Desired volume level is adjusted from the audio source.

### 4. Line Output to Another Audio Equipment:

The 3.5 Ø line output **12** is available to send the audio signal to Mic Input or Line Input of another audio equipment. Desired volume level is adjusted from the Power Switch/Wireless Mic Volume Control **8**.

## III. Wireless Microphone Operating Instructions

### 1. Receiver Channel Set-up:

- Automatic Channel Scan Selection: Press and hold the Channel SCAN button **6** for 1 second to access the SCAN function. Channel indicator blinks and displays current channel. During channel blinking, press and release Channel SCAN button to scan for the best available channel. Once blinking stops, the new channel is saved automatically, See Fig. 2.

- Press & hold SCAN for 1 second
- Current channel displays and blinks
- Press & release SCAN to scan for a clear channel
- New channel is saved

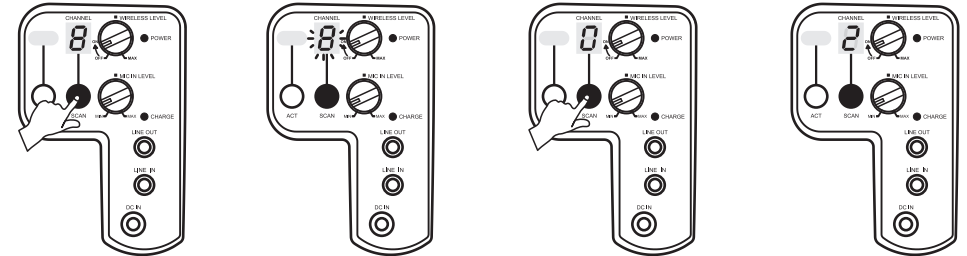


Fig. 2

- Manually Selecting a Channel: Press and hold the Channel SCAN button **6** for 1 second. Channel indicator blinks and displays current channel. During channel blinking, press and hold Channel SCAN button to force the receiver to change to the next available programmed channel. Once blinking stops, the new channel is saved automatically, See Fig. 3.

- Press & hold SCAN for 1 second
- Current channel displays and blinks
- Press & hold SCAN to force for a new channel
- New channel is saved

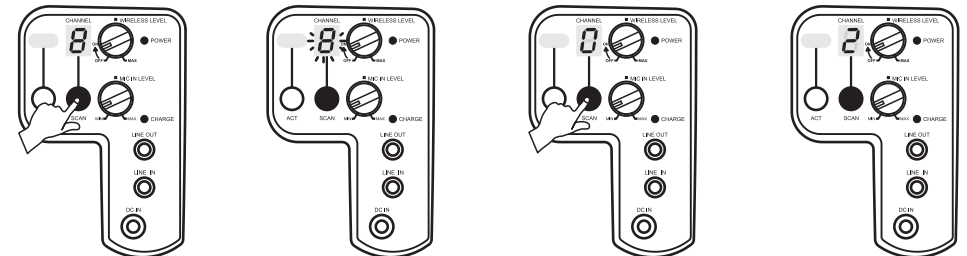


Fig. 3

- (C) Purpose for Scanning a New Channel: Existing channel is experiencing noise interferences or problems during operation. Two or more wireless microphones are required to be used simultaneously at same location.
- (D) Caution during Changing Channel: Do not change channel during a live performance with multiple wireless microphones in operation as it may cause interference.

## 2. MA-101G ID (Identification) CODE:

- (A) Setting ID code enables the user to increase compatible channels at the same venue using the same operating channel, especially in a heavily congested Wi-Fi environment and interferences. There are four available ID codes: 0→1→2→3 for set-up.
- (B) Press & hold the SCAN button. Concurrently, turn on the Power Switch/Wireless Mic Volume Control. Press & release the SCAN button will move up to the next available ID code. Turn off the Power Switch/Wireless Mic Volume Control to save this ID CODE.
- (C) Turn on the Power Switch/Wireless Mic Volume Control back on again to perform the ACT synchronization with embedded ID code. Without performing this ACT synchronization step, no sound output because the ID codes has been changed even though the same channel number remains the same.

## 3. Automatic Transmitter Channel Sync, Fig. 4:

- (A) Turn on the transmitter.
- (B) Press the ACT sync button on the receiver. The Channel indicator will blink indicating that ACT sync mode is active.
- (C) Align the sync windows of both transmitter and receiver at a distance of <30 cm (12-inch) and hold until Channel indicator stops blinking, See Fig. 4.
- (D) Sync is done successfully when Channel indicator stops blinking, the system is ready for use.
- (E) If ACT sync fails, repeat the sync procedure, carefully maintaining alignment between windows of both transmitter and receiver.

Note: When ACT sync button is accidentally pressed, press button once again to cancel.

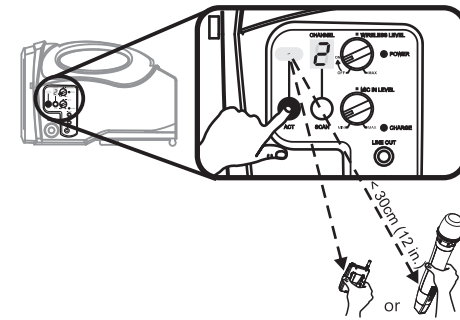


Fig. 4

#### 4. Caution in Operating MA-101G:

- (A) Position the portable PA at least 5-meter away from Wi-Fi, Bluetooth or other 2.4 GHz wireless devices.
- (B) Maintain line-of-sight between the transmitter and receiver for ideal reception range.
- (C) User can scan environment for Wi-Fi devices with a smartphone app, normally Wi-Fi device selections are channels 1, 6, 11.
  - (1) When Wi-Fi channel 1 exists on a device, portable PA channel can be set to 0 or 1 to prevent interference. Or select a lesser interference channel like 2, 3, 4, 5, 6, 7, 8, 9.
  - (2) When Wi-Fi channel 6 exists on a device, portable PA channel can be set to 1 to prevent interference. Or select a lesser interference channel like 2, 3, 4, 5, 6, 7.
  - (3) When Wi-Fi channel 11 exists on a device, portable PA channel can be set to 1 to prevent interference. Or select a lesser interference channel like 2, 3, 4, 5, 6, 8, 9.

(D) Wi-Fi Channel Distribution, See Fig. 5:

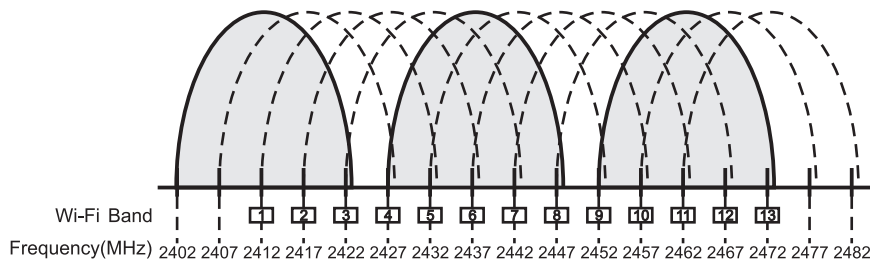


Fig. 5

#### IV. System Setup Scenarios

MA-101 system can be hand or shoulder carried, on an elevated surface or installed in a tripod microphone stand.

#### V. Operating the Rechargeable Battery

##### 1. Operating Instructions:

- (A) We recommend fully charging before first using the system.
- (B) Plug into the DC Power Input Jack ⑭ and plug the other end into a live electrical outlet.
- (C) Once plugged, the Battery Charge Indicator ⑪ starts blinking to denote charging in progress. Over-discharged battery may take few minutes for indicator to start blinking. No blinking indicates the rechargeable battery has reached the end of its usable life.
- (D) A still red LED indicates insufficient power, recharging is required. A blinking green LED indicates charging in progress. A still green LED indicates fully charged.
- (E) When not in use, the battery will slowly self-discharge. If system will not be used for an extended period of time, it is advised to fully charge before storing. We also recommend to charge the system every three months when not used.
- (F) This system has a dual-step automatic power shut-off function. Power supply will automatically shut-off once LED indicator glows red for an extended period of time to prevent possible damage. Plug in to recharge the system immediately from excessive self-discharge.
- (G) If you find that the operation time of system becomes noticeably decreased, even after fully charging, the battery should be replaced.
- (H) With proper care and charging, it is unlikely to replace the rechargeable battery for some time. Contact MIPRO customer service or your local distributor for a single 14.8V replacement rechargeable battery.

## 2. Replacing the Rechargeable Battery:

- (A) Turn off the system. Open the battery compartment by pressing down on the two tabs at the top of the battery compartment. The door will hinge open, See Fig. 6.
- (B) The battery is "spring loaded" behind an interior steel plate. Remove the interior steel plate by sliding it upwards and battery, See Fig. 7.

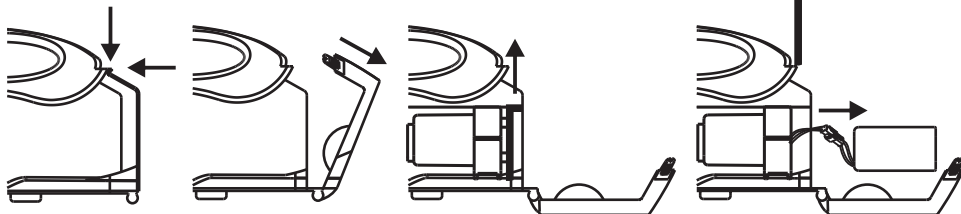


Fig. 6

Fig. 7

- (C) Press and release the tabs to disconnect the rechargeable battery pack from the connecting cable, See Fig. 8.

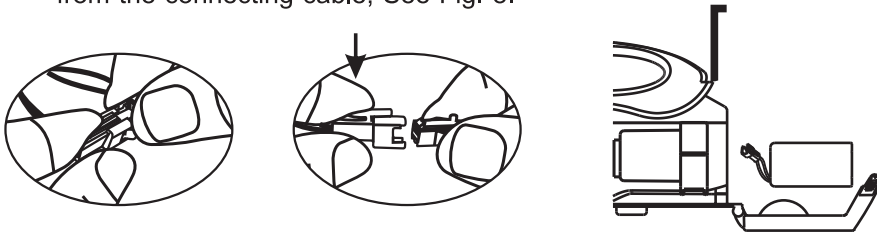


Fig. 8

- (D) Connect a new rechargeable battery pack to the connecting cable. Slide the battery pack back into the slot carefully. Insert the interior steel plate downwards, See Fig. 9 & 10.
- (E) Close the battery compartment door. Lift up on the two tabs until they "click" into place, See Fig. 11.

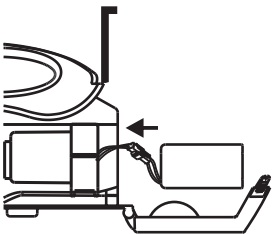


Fig. 9

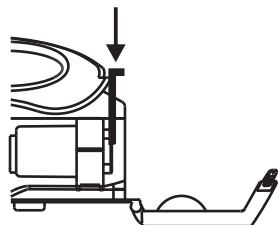


Fig. 10

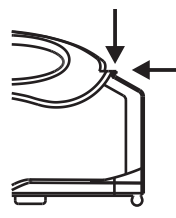


Fig. 11

## VI. Connection Scenarios, Fig. 12

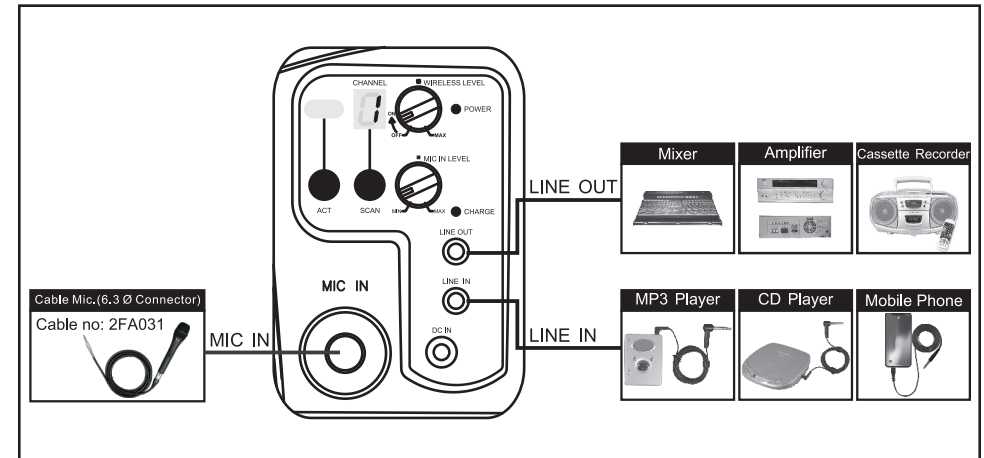


Fig. 12

## VII. Note

1. Design and specifications are subject to change without prior notice. Refer to actual product in the event of product discrepancy.
2. Frequency range, output power and maximum deviation to adhere to local telecom regulations.