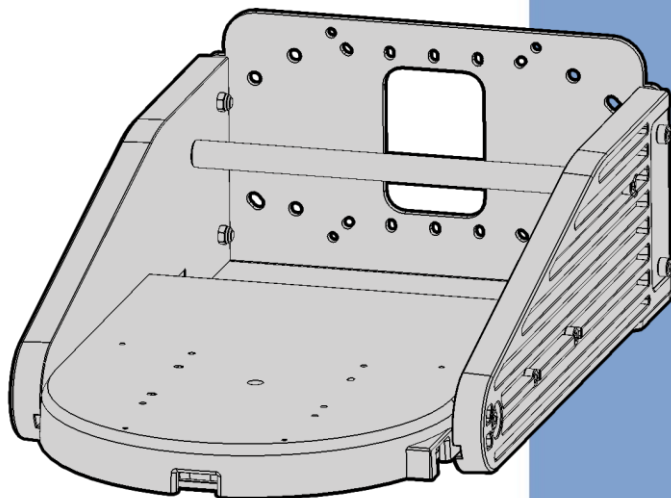


datavideo



**PROFESSIONAL WALL
MOUNT FOR ROBOTIC
PAN TILT HEAD**

WM-10

Instruction Manual

www.datavideo.com

Table of Contents

Table of Contents	1
FCC Compliance Statement	3
Warnings and Precautions	3
Warranty	4
Standard Warranty	4
Three Year Warranty	5
Disposal	6
WM-10 Professional Wall Mount Kit for Datavideo Robotic Pan Tilt Head	7
Introduction	7
Assembly Steps of the WM-10	7
How to install the WM-10 to the Wall	7
Introduction of the Bubble Level Meters of the WM-10	11
Important Notices for installing PTR-10/PTR-10T Robotic Pan Tilt Head and PTC-150 Series Cameras to WM-10	12
For installing PTR-10/PTR-10T	12
For installing PTC-150	14
Weight	16
Dimensions	17
WM-10 Accessory List	18
Service and Support	19

Disclaimer of Product & Services

The information offered in this instruction manual is intended as a guide only. At all times, Datavideo Technologies will try to give correct, complete and suitable information. However, Datavideo Technologies cannot exclude that some information in this manual, from time to time, may not be correct or may be incomplete. This manual may contain typing errors, omissions or incorrect information. Datavideo Technologies always recommend that you double check the information in this document for accuracy before making any purchase decision or using the product. Datavideo Technologies is not responsible for any omissions or errors, or for any subsequent loss or damage caused by using the information contained within this manual. Further advice on the content of this manual or on the product can be obtained by contacting your local Datavideo Office or dealer.

FCC Compliance Statement

This device complies with part 15 of the FCC rules. Operation is subject to the following two conditions:

- (1) This device may not cause harmful interference, and
- (2) This device must accept any interference received, including interference that may cause undesired operation.

Warnings and Precautions



1. Read all of these warnings and save them for later reference.
2. Follow all warnings and instructions marked on this unit.
3. Unplug this unit from the wall outlet before cleaning. Do not use liquid or aerosol cleaners. Use a damp cloth for cleaning.
4. Do not use this unit in or near water.
5. Do not place this unit on an unstable cart, stand, or table. The unit may fall, causing serious damage.
6. Slots and openings on the cabinet top, back, and bottom are provided for ventilation. To ensure safe and reliable operation of this unit, and to protect it from overheating, do not block or cover these openings. Do not place this unit on a bed, sofa, rug, or similar surface, as the ventilation openings on the bottom of the cabinet will be blocked. This unit should never be placed near or over a heat register or radiator. This unit should not be placed in a built-in installation unless proper ventilation is provided.
7. This product should only be operated from the type of power source indicated on the marking label of the AC adapter. If you are not sure of the type of power available, consult your Datavideo dealer or your local power company.
8. Do not allow anything to rest on the power cord. Do not locate this unit where the power cord will be walked on, rolled over, or otherwise stressed.
9. If an extension cord must be used with this unit, make sure that the total of the ampere ratings on the products plugged into the extension cord do not exceed the extension cord rating.

10. Make sure that the total amperes of all the units that are plugged into a single wall outlet do not exceed 15 amperes.
11. Never push objects of any kind into this unit through the cabinet ventilation slots, as they may touch dangerous voltage points or short out parts that could result in risk of fire or electric shock. Never spill liquid of any kind onto or into this unit.
12. Except as specifically explained elsewhere in this manual, do not attempt to service this product yourself. Opening or removing covers that are marked “Do Not Remove” may expose you to dangerous voltage points or other risks, and will void your warranty. Refer all service issues to qualified service personnel.
13. Unplug this product from the wall outlet and refer to qualified service personnel under the following conditions:
 - a. When the power cord is damaged or frayed;
 - b. When liquid has spilled into the unit;
 - c. When the product has been exposed to rain or water;
 - d. When the product does not operate normally under normal operating conditions. Adjust only those controls that are covered by the operating instructions in this manual; improper adjustment of other controls may result in damage to the unit and may often require extensive work by a qualified technician to restore the unit to normal operation;
 - e. When the product has been dropped or the cabinet has been damaged;
 - f. When the product exhibits a distinct change in performance, indicating a need for service.

Warranty

Standard Warranty

- Datavideo equipment are guaranteed against any manufacturing defects for one year from the date of purchase.
- The original purchase invoice or other documentary evidence should be supplied at the time of any request for repair under warranty.
- The product warranty period begins on the purchase date. If the purchase date is unknown, the product warranty period begins on the thirtieth day after shipment from a Datavideo office.

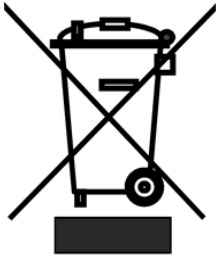
- All non-Datavideo manufactured products (product without Datavideo logo) have only one year warranty from the date of purchase.
- Damage caused by accident, misuse, unauthorized repairs, sand, grit or water is not covered under warranty.
- Viruses and malware infections on the computer systems are not covered under warranty.
- Any errors that are caused by unauthorized third-party software installations, which are not required by our computer systems, are not covered under warranty.
- All mail or transportation costs including insurance are at the expense of the owner.
- All other claims of any nature are not covered.
- All accessories including headphones, cables, and batteries are not covered under warranty.
- Warranty only valid in the country or region of purchase.
- Your statutory rights are not affected.

Three Year Warranty

- All Datavideo products purchased after July 1st, 2017 are qualified for a free two years extension to the standard warranty, providing the product is registered with Datavideo within 30 days of purchase.
- Certain parts with limited lifetime expectancy such as LCD panels, DVD drives, Hard Drive, Solid State Drive, SD Card, USB Thumb Drive, Lighting, Camera module, PCIe Card are covered for 1 year.
- The three-year warranty must be registered on Datavideo's official website or with your local Datavideo office or one of its authorized distributors within 30 days of purchase.



Disposal



For EU Customers only - WEEE Marking

This symbol on the product or on its packaging indicates that this product must not be disposed of with your other household waste. Instead, it is your responsibility to dispose of your waste equipment by handing it over to a designated collection point for the recycling of waste electrical and electronic equipment. The separate collection and recycling of your waste equipment at the time of disposal will help to conserve natural resources and ensure that it is recycled in a

manner that protects human health and the environment. For more information about where you can drop off your waste equipment for recycling, please contact your local city office, your household waste disposal service or the shop where you purchased the product.



CE Marking is the symbol as shown on the left of this page. The letters "CE" are the abbreviation of French phrase "Conformité Européene" which literally means "European Conformity". The term initially used was "EC Mark" and it was officially replaced by "CE Marking" in the Directive 93/68/EEC in 1993. "CE Marking" is

now used in all EU official documents.

WM-10 Professional Wall Mount Kit for Datavideo Robotic Pan Tilt Head

Introduction

The WM-10 is a professional wall mount which is designed for Datavideo Robotic Pan Tilt Head PTR-10/PTR-10T and Datavideo PTZ camera series including PTC-150/PTC-150T/PTC-200/PTC-200T. The WM-10 is made by 6061 Aluminum. Moreover, the WM-10 provides two bubble level meters for users to measure whether the PTR-10 or PTR-10T is mounted horizontally. Please follow following steps for assembling the WM-10 wall mount. This user manual take PTR-10 as an example.

Assembly Steps of the WM-10

Please follow following steps for assembling the WM-10.

How to install the WM-10 to the Wall

- Step 1. Please drill four holes according to the No.1 to No. 4 holes on the following diagram Figure 1.
- Step 2. Please fix the back plate(A) to the wall by screwing four screws with screw anchors according to the No.1 to No. 4 order.
- Step 3. After the back plate (A) of the WM-10 is fixed to the wall, please screw the No.5 and No.6 screws with nuts to the left-side plate(C) for connecting the left side plate(C) to the back plate(A) of the WM-10 according to following diagram Figure 1.

- Step 4. Please screw the No.7 and No.8 screws with nuts to the right-side plate(B) for connecting the right side plate(B) to the back plate(A) of the WM-10 according to following diagram Figure 1.
- Step 5. Please place the round rod into the space of the WM-10.
- Step 6. Please align the left side of the round rod to the screw hole of the left side plate according to the following diagram Figure 1.
- Step 7. After that, please fix the left side of the round rod to the left side plate by using a screw.
- Step 8. Please align the right side of the round rod to the screw hole of the right side plate according to the following diagram Figure 1.
- Step9. After that, please fix the right side of the round rod to the right side plate by using a screw.
- Step 10. Please insert the WM-10 bottom plate(D) which is connected with the PTR-10/PTR-10T into the space which is in the middle of the left-side plate(C) and the right-side plate(B) according to the following diagram Figure 1.
- Step 11. Please screw three screws into the screw holes of the left side plate(C) according to the order of No. 13, No. 14 and No. 15 to fix the left-side plate(C) to the bottom plate(D) of the PTR-10/PTR-10T according to the following diagram Figure 1.

- Step 12. Please screw three screws into the screw holes of the right side plate(B) according to the order of No. 16, No. 17 and No. 18 to fix the right-side plate(B) to the bottom plate(D) of the PTR-10/PTR-10T according to the following diagram Figure 1.

- Step 13. Please align the PTR-10 or PTR-10T to the bottom plate(D) of the WM-10.

- Step 14. Please screw four screws from the bottom of the WM-10 bottom plate(D) according to the following diagram Figure 2 for fixing the PTR-10/PTR-10T to the bottom plate(D) of the WM-10.

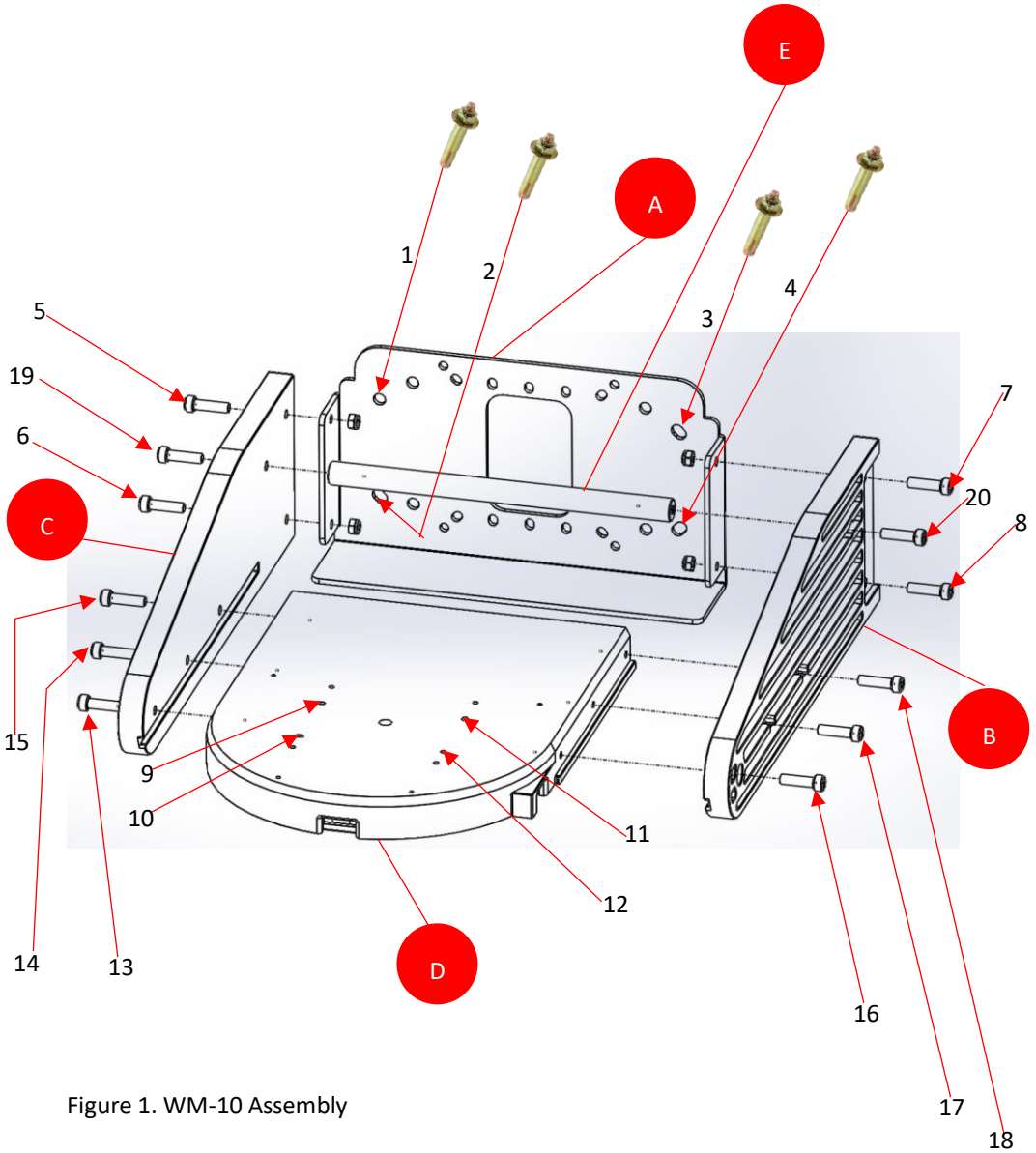
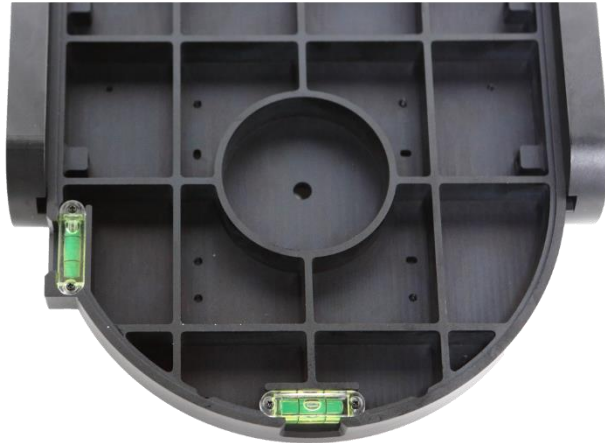


Figure 1. WM-10 Assembly

Introduction of the Bubble Level Meters of the WM-10

The WM-10 Professional Wall Mount for Robotic Pan Tilt Head provides users two Bubble Level Meters for measuring whether the WM-10 is installed horizontally or not. The two Bubble Level Meters are located at the bottom of the WM-10.

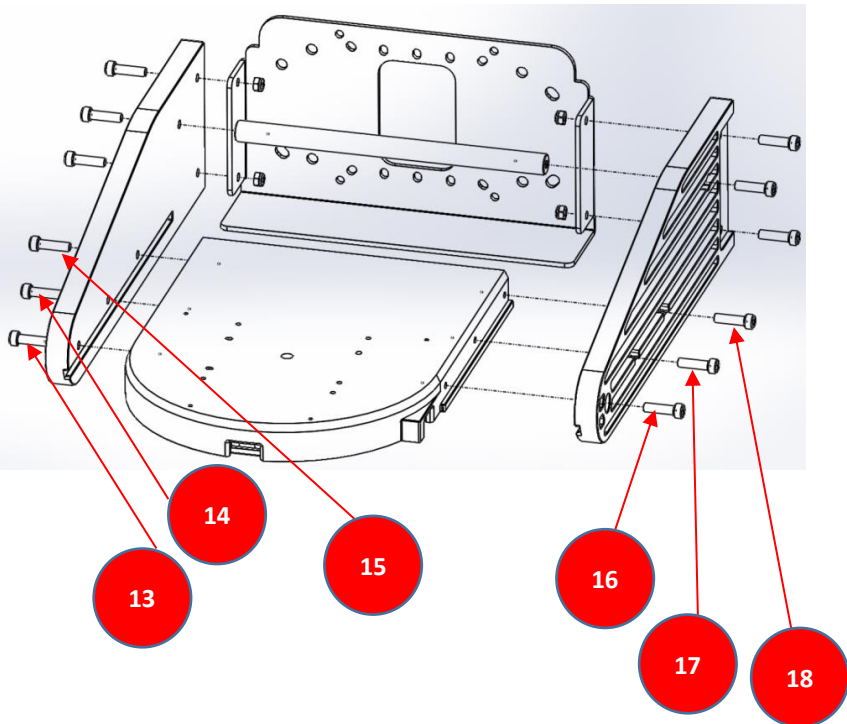


- If the bubble is located at the center, it means that the surface for mounting the WM-10 is level.
- If the bubble is moved to the right side, it means that the object slopes downward right-to-left.
- If the bubble is moved to the left side, it means that the object slopes downward left-to-right.

Important Notices for installing PTR-10/PTR-10T Robotic Pan Tilt Head and PTC-150 Series Cameras to WM-10

For installing PTR-10/PTR-10T

- For installing PTR-10/PTR-10T Robotic Pan Tilt Head to WM-10, it is recommended that all of the six screw holes on both side plates (including screw holes 13,14,15 & 16,17,18) must be screwed by using screws.



- For installing the PTR-10/PTR-10T to the WM-10, please screw four screws (No. 9, No. 10, No. 11 & No. 12) from the bottom of the bottom plate according to following diagram.

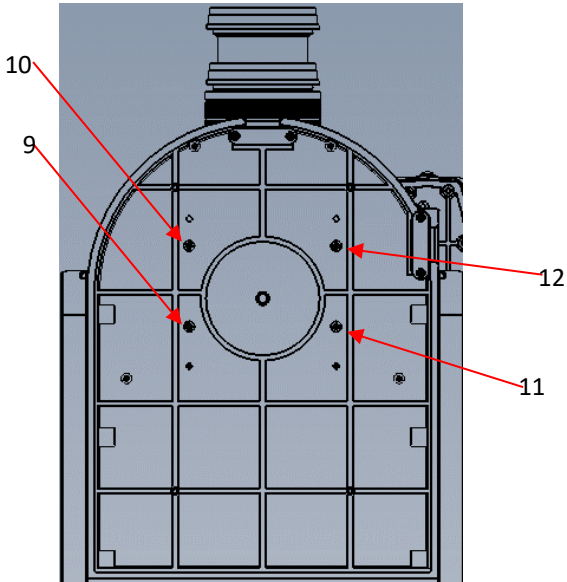
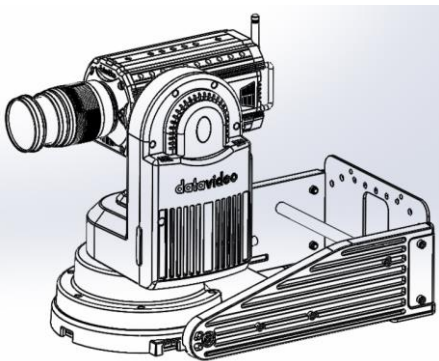
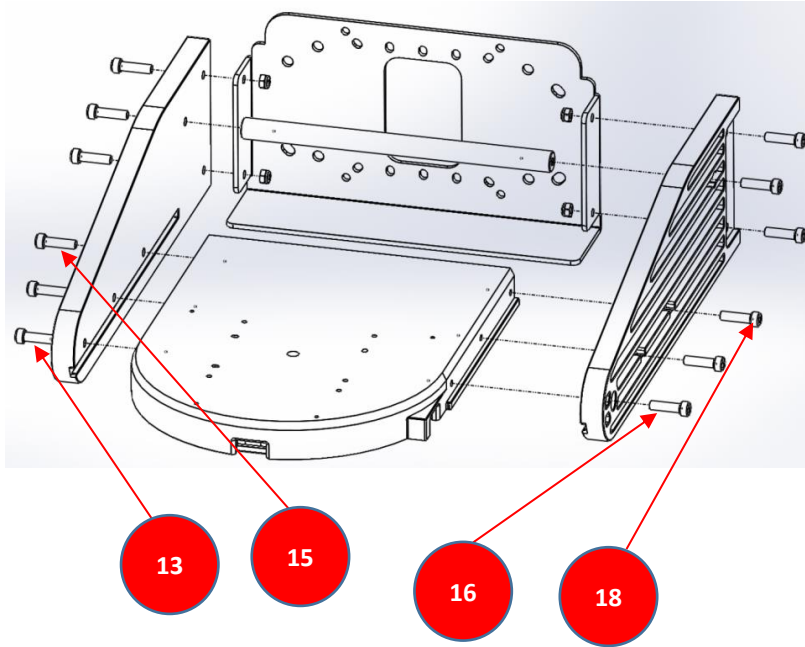


Figure 2 Installing PTR-10/PTR-10T to WM-10(must be screwed from bottom)

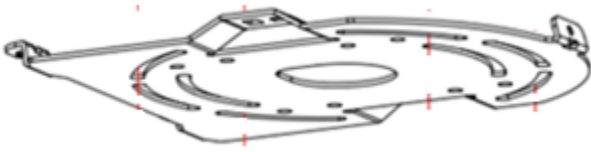


For installing PTC-150

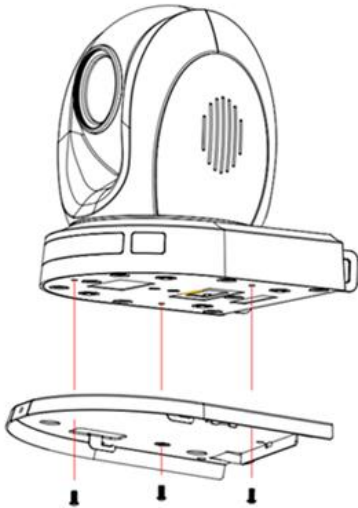
- For installing PTC-150 series camera to the WM-10, it is recommended that users can screw the first or the third (13 or 15/16 or 18) screw hole on both side plates. And then the PTC series camera can be moved forward and backward by using internal rails which are located at both side plates.



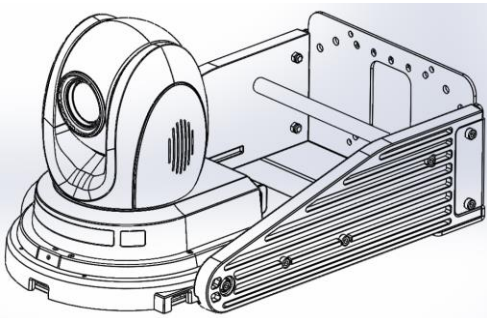
- For installing the PTC-150 to the WM-10, please follow following steps.
 - Step 1. Please make sure that you have the Ceiling Bracket of the PTC-150 in advance.
 - Step 2. Please place the Upper Covering Plate of the Ceiling Bracket to the bottom plate of the WM-10.
 - Step 3. Please fix the Upper Covering Plate of the Ceiling Bracket to the bottom plate of the WM-10 by screwing four screws.



- Step 4. Please install the PTC-150 camera to the Ceiling Lower Covering Plate according to following diagram.



- Step 5. Please install the PTC-150 camera module to the WM-10 according to following diagram.



SAFETY NOTES

- Before beginning the installation, it is very important to examine the unit for damage, defects and correct hardware.
- The installation instructions must be read and entirely understood prior to install.
- It must be determined that the mounting surface is capable of supporting the mount and equipment.
- The professional installer must determine the proper way to attach the WALL BRACKET MODEL XXXX
- The installation of the mount and equipment is dependent on proper/secure attachment and is the responsibility of the installer.
- Make sure wall will support 4 times the combined weight of Equipment and Wall Mount.
- This mount should be attached to wood studs only. Under no circumstances should this product be mounted to metal studs, unless an installation professional deems they have been adequately reinforced and will support 4 times the combined weight of Equipment and Wall Mount.
- Please use only the bolts supplied with the unit or bolts of the correct size, making sure the hardware used is tightened properly for a secure installation.
- The WALL BRACKET MODEL is only intended to be used with the equipment listed on the install sheet. It is not meant to be used with any other equipment.
- If at anytime, a question arises regarding this installation (or regarding the safety or integrity of the projected use), please cease the installation and either obtain the advice of another qualified installer or contact FEC.

Weight

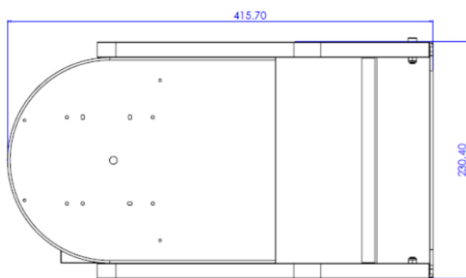
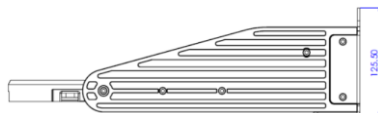
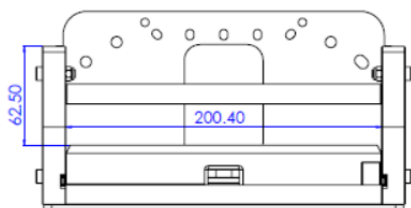
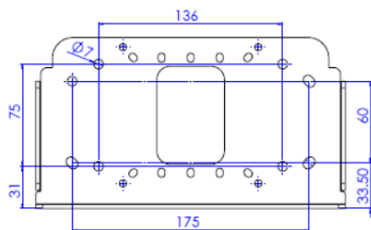
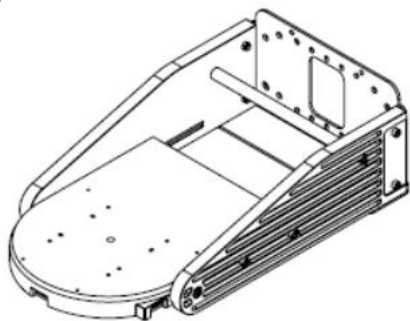
Weight of the WM-10
3.95 Kg = 8.70 lb

Maximum Load Weight Limit
10Kg

* Please note that the WM-10 wall mount kit can be applied to the PTR-10/PTR-10T and PTC-150 series.

Dimensions

Unit: mm



WM-10 Accessory List

WM-10 Accessory List		
No	Item	Qty
1	Back Plate	1
2	Side Plate (L)	1
3	Side Plate (R)	1
4	Bottom Plate	1
5	Round rod	1
6	Expansion screw	4
7	Hexagon socket screw (M5 x 20mm)	12
8	Screw Nut (M5)	4
9	Screw with spring washer (M3 x 10mm, for mounting PTR-10/10T)	4
10	Screw (M3 x 8mm, for adjusting)	4

Service & Support

It is our goal to make your products ownership a satisfying experience. Our supporting staff is available to assist you in setting up and operating your system. Please refer to our web site www.datavideo.com for answers to common questions, support requests or contact your local office below.



Please visit our website for latest manual update.
<https://www.datavideo.com/product/WM-10>

datavideo
www.datavideo.com



@DatavideoUSA @DatavideoIndia2016
@DatavideoEMEA @Datavideojapan
@DatavideoTaiwan @DatavideoLatam
@DatavideoAsia @DatavideoBrasil



@Datavideo
@Datavideo_EMEA
@Datavideo_Taiwan



@DatavideoUSA
@DVTWDVCN



@DatavideoUSA
@DatavideoEurope

All the trademarks are the properties of their respective owners.
Datavideo Technologies Co., Ltd. All rights reserved 2020