



Comprehensive[®]
Connectivity Company

The Pro's Connectivity Since 1974

CHE-HD300

Pro AV/IT HDMI Extender over single Cat5e/6/7 up to 330ft



User Manual

Contents

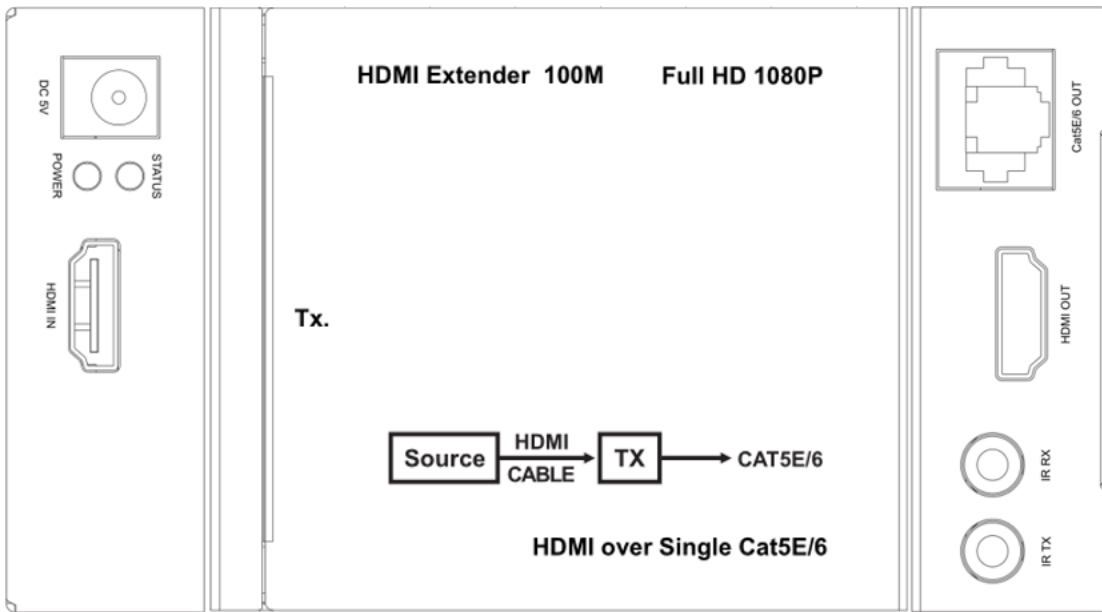
- Product Overview 3
- Product Features 3
- Specifications..... 4
- Package Contents 4
- Panel Descriptions 5
- Installation and Operations 6
- Troubleshooting and Maintenance 7
- Warning and Precaution 7

■ **Product Overview:**

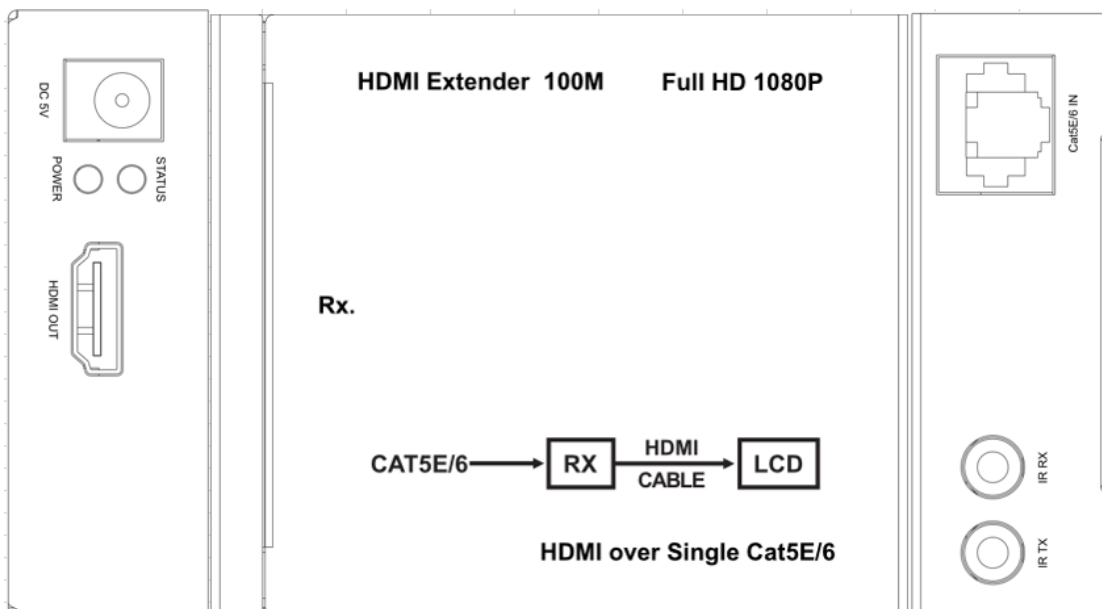
Comprehensive's CHE-HD300 HDMI extender can transmit HDMI signals using a single networking cable and supports HDMI 1.3v. The transmission distance between the sending and receiving units can be up to 330ft. It supports infrared extension function and HDMI loop out function. When the HDMI signal enters to TX unit, the signal is transmitted to the RX unit by 100 networking cable, then transferred into HDMI signals to the TV. At the same time, it can transmit the HDMI signal from the TX unit to TV, so that it is convenient to observe the DVD setting. The video format supports 1080p*60Hz.

■ **Features:**

1. Product Overview TX:



Rx:



2. Character:

- Supports 1080P 3D@60HZ,720P video output format.
- Transmission distance up to 100M(328ft) over CAT 5E or CAT6 network cable.
- Supports HDMI loop out function.
- Low power consumption.
- Supports Two-Way IR control.
- Easy installation and operation.

■ Specifications:

Operating Temperature range	-5 to +35°C (-41 to +95 °F)
Operating Humidity Range	5 to 90 % RH (no condensation)
Input Video Signal	2.4V to 3.6V
External input DC power supply	5V/1.2A
Input DDC signal	-0.5 to 6V
Max transmit rate	3Gbit/s
Video Format Supported	1080p 3D/1080i/720p/576p/480p/576i/480i
Audio Format Supported	DTS-HD/ Dolby true HD
Output Video format	1080p @60hz, Backward compliant
HDMI Max transmit distance	100M
Max Power consumption	TX: 1.5W RX: 1.95W
Dimensions	3.23" x 2.28 x 0.89"
Net Weight (Main Unit)	0.9lbs

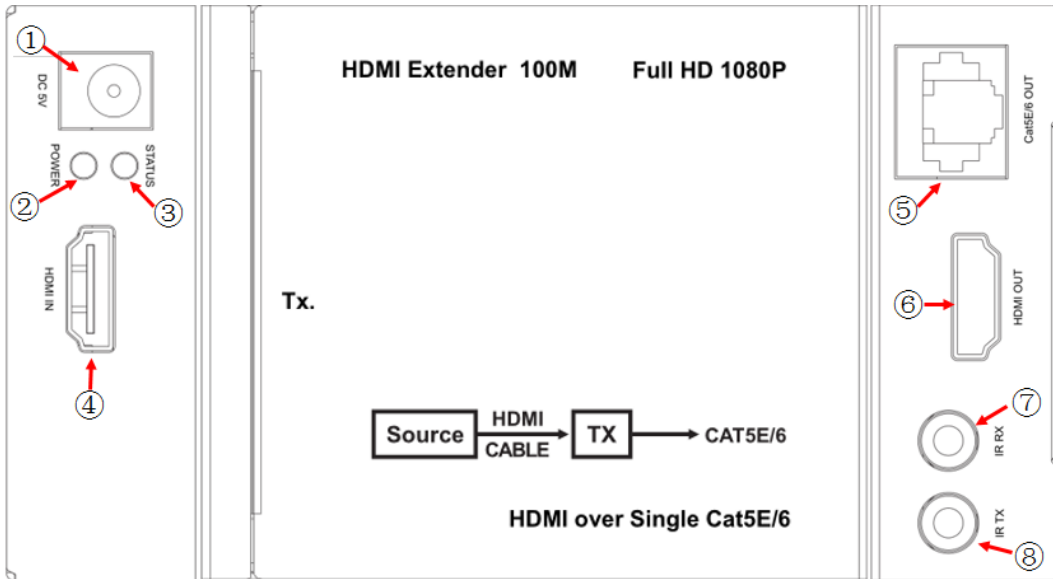
■ Package Content:

Packing including

Item Name	Qty
CHE-HD300 Extender	1 set (include TX and RX)
5V/1.2A Power supply	2 pcs
IR Receiver	1 pcs
IR transmitter	1 pcs
Usual Manual	1 pcs

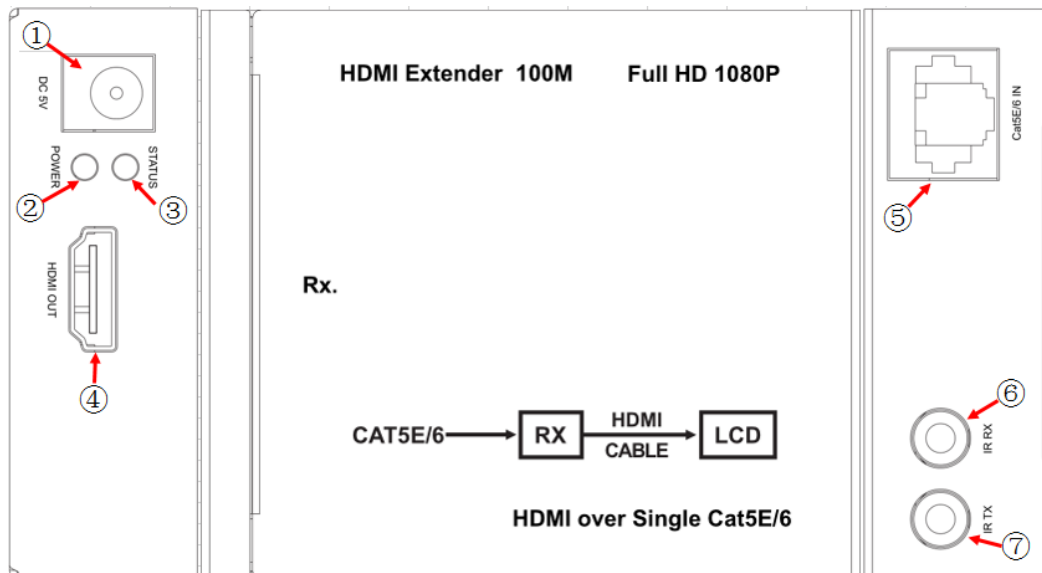
■ **Panel Description**

TX:



- ① DC 5V—DC 5V power supply input Interface
- ② POWER—Power indicator
- ③ STATUS—Input signal indicator
- ④ HDMI IN—HDMI signal input Interface
- ⑤ Cat5e/a OUT—TX network output port, support CAT5E or CAT6 Cable
- ⑥ HDMI OUT—HDMI signal looping output Interface
- ⑦ IR-TX—IR TX Interface
- ⑧ IR-RX—IR RX Interface

RX:



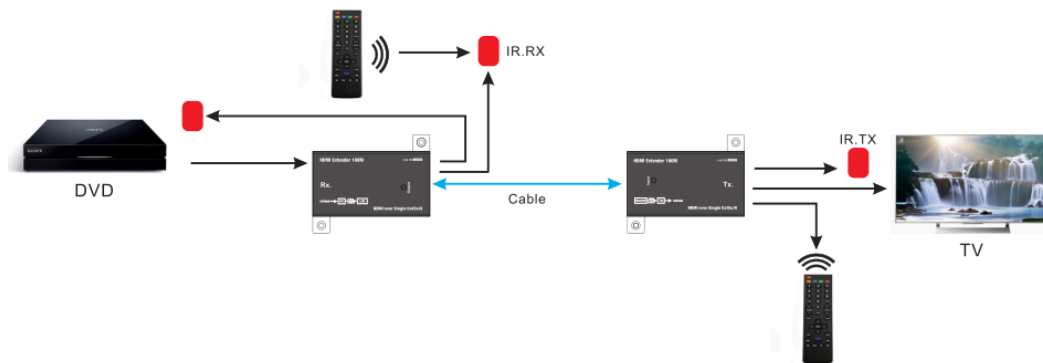
- ① DC 5V—DC 5V Power Input Interface
- ② POWER—Power Indicator
- ③ STATUS—Input signal Indicator
- ④ HDMI OUT— HDMI output Interface of 100M signal extension
- ⑤ Cat5e/a OUT—TX network output port, support CAT5E or CAT6 cable
- ⑥ IR-TX—IR TX Interface
- ⑦ IR-RX—IR RX Interface

■ **Installation and Operation:**

1) Connecting Cables

- CHE-HD300 HDMI extender TX HDMI INPUT connects to the signal source (like DVD/PSS) via HDMI cable.
- CHE-HD300 HDMI extender TX HDMI OUTPUT connects to the display device with HDMI interface (like TV) via HDMI cable.
- CHE-HD300 HDMI extender RX HDMI OUTPUT connects to the display device with HDMI interface (like TV) via HDMI cable.
- Use Cat5e/6 network cable to connect TX Cat5e/6 OUT and RX Cat5e/6 IN.
- Plug in IR RX cable into IR-RX interface on both TX and RX side.
- Plug in IR TX cable into IR-TX interface on both TX and RX side.
- Plug in 5V DC power supply into the power jack of both the RX unit and TX unit.
- Make TX unit IR TX point to DVD, make RX unit IR TX point to TV, and fix them well.

Refer to below picture:



2) Operation:

A. IR Control function---When the connection above is finished and all devices power on, users can control the DVD at the TV side by using the DVD remote controller via the IR-RX cable on the RX unit and control the TV to be turn ON/OFF at the DVD side via the IR-RX cable on the TX unit.

■ **Troubleshooting and Maintenance:**

- 1) If the connected display device has a noisy point, maybe the cable quality is not up to standard, shielded HDMI cable and Ethernet cable is suggested.
- 2) If color is distorted or no video signal output: a) check the corresponding input signal, if there is no input signal, please check the wire connection, b) Check the output interface is consistent with the right controlled one.
- 3) If the front panel LED light is with no shine and operating unresponsive, please ensure the power or HDMI input is in well connection.

■ **Warning and Precaution:**

- 1) Keep away from dust, humidity, heat source and direct sunlight.
- 2) To ensure proper heat dissipation, avoid poorly ventilated spaces and do not block the vents.
- 3) To prevent electrical shock and fire, do not keep the device in rain or wet places.
- 4) Do not be connected to power supplies when installing or moving the device.
- 5) Do not touch the power adapter plug with wet hands.
- 6) Do not spill liquid on the device, as it may cause internal short circuit or fire.
- 7) Do not attempt to open the cabinet. Please contact qualified service personnel for maintenance.



www.ComprehensiveCo.com

80 Little Falls Road, Fairfield, NJ 07004

800.526.0242