

AFS-500 LED Followspot

The AFS-500 LED follow spot is a lightweight, 490 Watt white LED manual follow spot that is packed with a powerful feature set at an affordable price. This manually operated, compact luminaire weighs under 26 pounds (11.5 kg.) and is a purpose built multi-performance LED follow spot. The AFS-500 LED follow spot follows the traditions of Altman Lighting while introducing several new key features to this performance luminaire.

The AFS-500 LED follow spot's compact, extruded aluminum design allows for discrete luminaire placement while offering powerful light output at distances over 150 feet (45 meters). Offering a locally controlled precision zoom and lens focus system that delivers a 7° to 13° beam spread. Each AFS-500 LED follow spot includes a on-board controller, allowing for simple button press color control and fade pot control of intensity, strobe, color correction (CTO), and iris. Each of these features can be controlled from either the AFS-500 controller or via DMX.

Add the additional front-end accessory holder to house a number of after-market accessories such as an external color boomerang, top hat, or concentric rings for added beam shaping or color functionality.



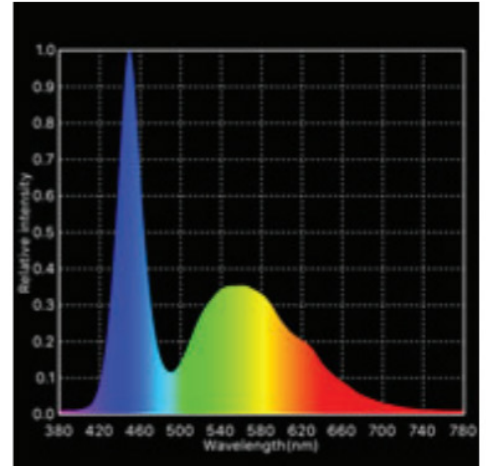
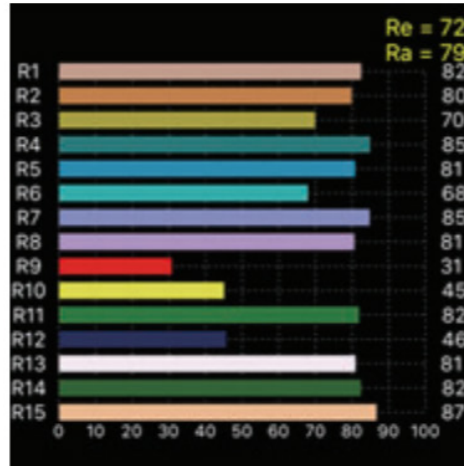
AFS500 LED FOLLOWSPOT

Product Features:

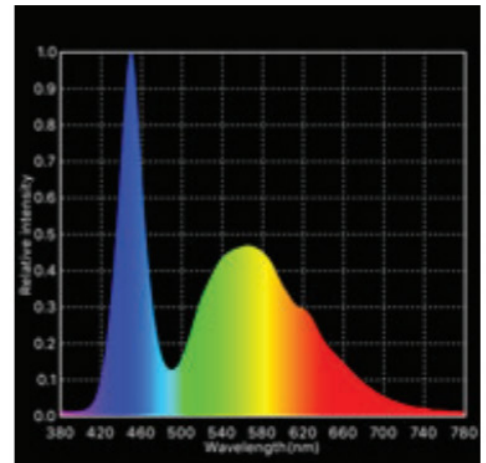
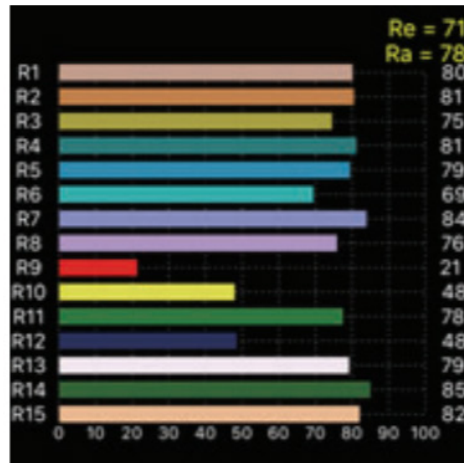
- 11808K native white LED engine
- 7° to 13° manual precision zoom system
- DMX or locally controlled:
 - Intensity (dimming)
 - Touch button color selection
 - Half tone (split) color selection
 - CTO Wheel offering 7500K, 6000K, and 4200K
 - Iris
 - Strobe
 - LED on / off
- 18-facet motorized iris input and through configuration
- 100 to 240 VAC 50/60Hz operation with PowerCON input only
- DMX 5-pin input and output/through
- Compatible with DMX 512 protocols (note, the AFS-500 is not an RDM-enabled luminaire)
- Local luminaire operation (no DMX needed)
- On-board, simple-to-use user control interface
- Includes folding tripod stand - Black
- Luminaire comes in black finish
- Compact, lightweight design Fixture: 25.5 lbs (11.5 kg) / Tripod: 12 lbs (5.5 kg)
- Five (5) year and one (1) day warranty
- No cost technical support for the life of your product

AFS500 Photometrics

AFS-500 LED FOLLOW SPOT PHOTOMETRIC SCORE CARD - NATIVE OUTPUT	
CCT	11808K
DUV	-0.0118
CRI (Ra)	79
CQS	69
TLCI (Qa)	46.5
TM-30-15 rf	69
TM-30-15 rg	96



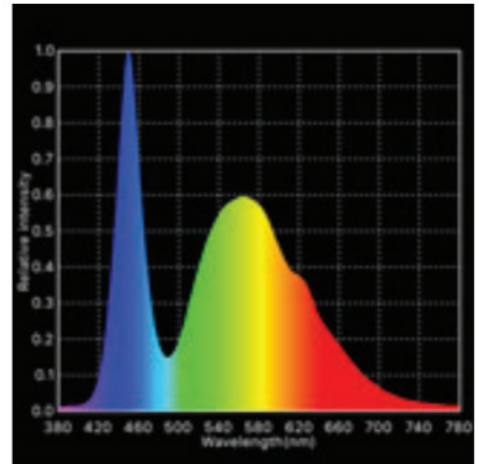
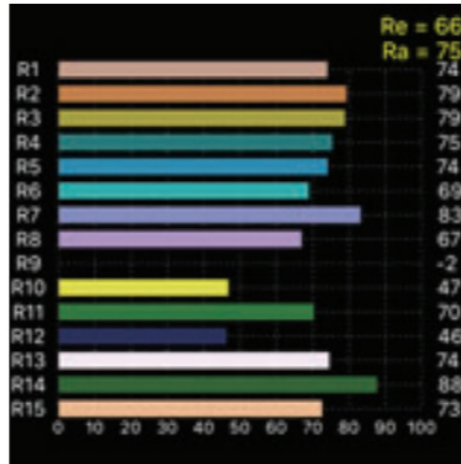
AFS-500 LED FOLLOW SPOT PHOTOMETRIC SCORE CARD - CTO WHEEL POSITION 1	
CCT	7415K
DUV	-0.0104
CRI (Ra)	78
CQS	69
TLCI (Qa)	48.6
TM-30-15 rf	70
TM-30-15 rg	96



AFS500 Photometrics

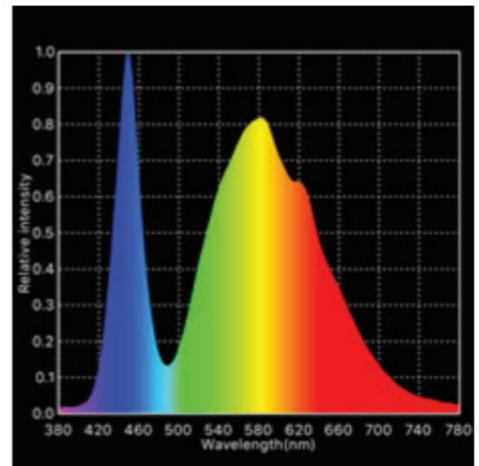
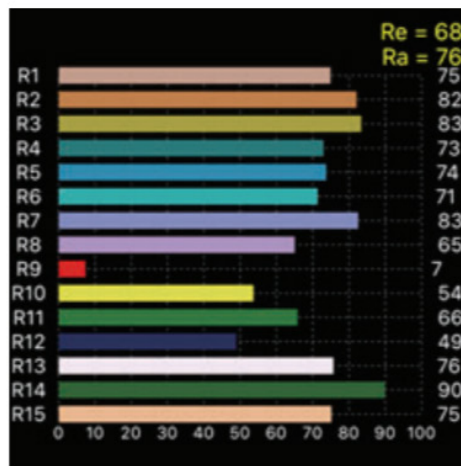
**AFS-500 LED FOLLOW SPOT
PHOTOMETRIC SCORE CARD -
CTO WHEEL POSITION 2**

CCT	6040K
DUV	-0.0038
CRI (Ra)	75
CQS	69
TLCI (Qa)	48.6
TM-30-15 rf	70
TM-30-15 rg	95



**AFS-500 LED FOLLOW SPOT
PHOTOMETRIC SCORE CARD -
CTO WHEEL POSITION 3**

CCT	4234K
DUV	-0.0115
CRI (Ra)	76
CQS	69
TLCI (Qa)	45.4
TM-30-15 rf	69
TM-30-15 rg	97



*AFS500 Photometrics****AFS-500 LED Follow Spot at 7° (sharp focus)***
Delivered beam lumens: 10,820

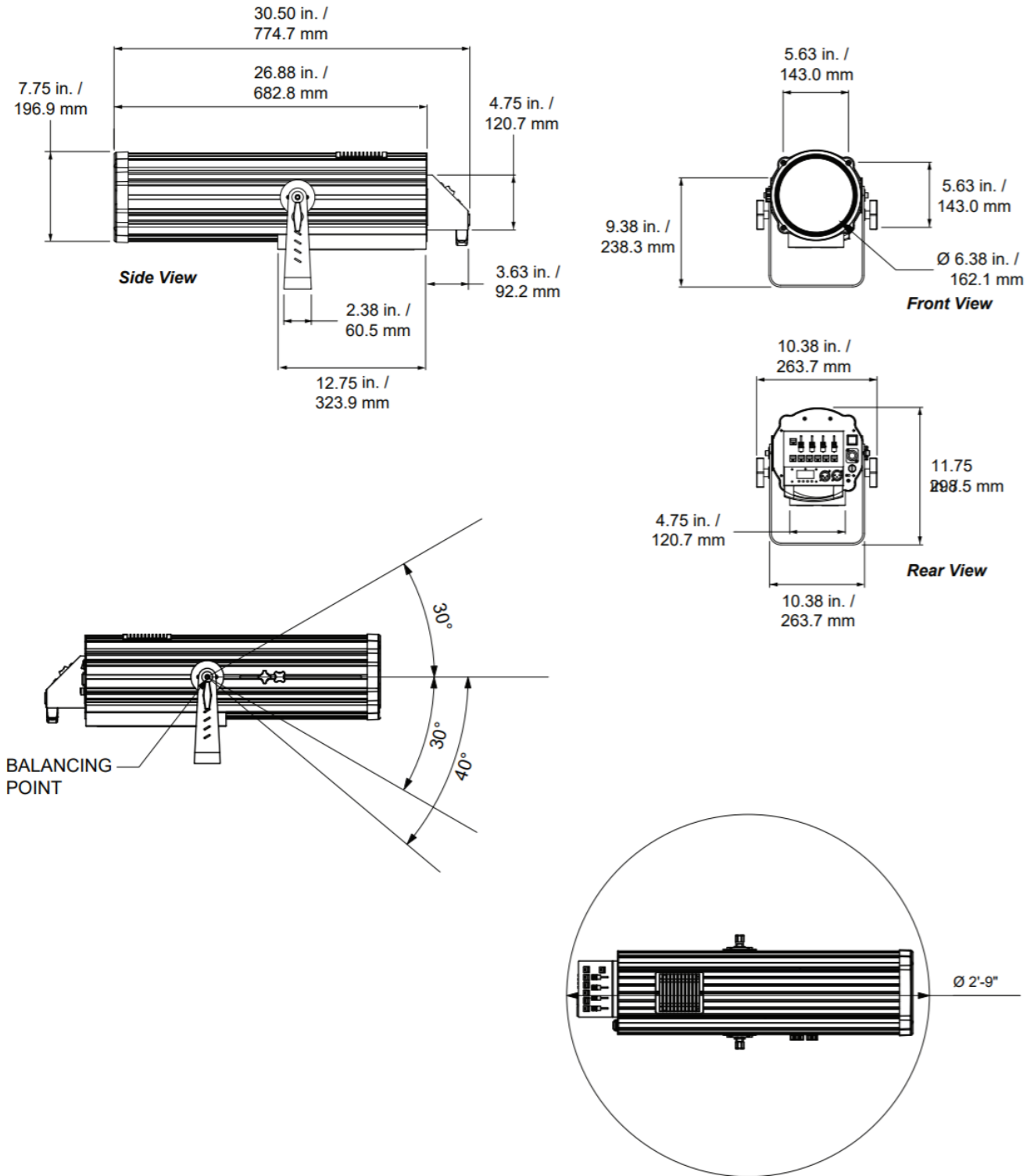
Throw Distance	40' (12.19m)	50' (15.24m)	75' (22.86m)	100' (30.48m)	125' (38.1m)	150' (45.72m)	175' (53.34m)
Field Diameter (feet)	4.19	6.6	9.83	13.11	16.39	19.66	22.94
Field Diameter (meters)	1.28	2.01	3.00	4.00	5.00	5.99	6.99
Illuminance (FC)	596.0	381.0	169.3	95.3	61.0	42.3	31.1
Illuminance (LUX)	6415.3	4101.0	1822.7	1025.3	656.2	455.7	334.8

AFS-500 LED Follow Spot at 13° (sharp focus)
Delivered beam lumens: 9,001

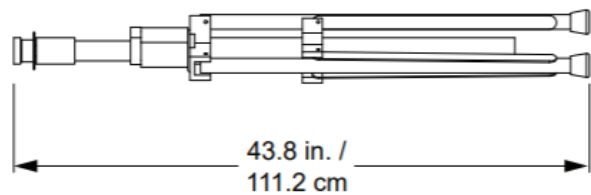
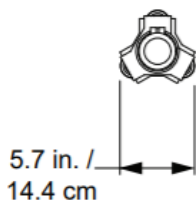
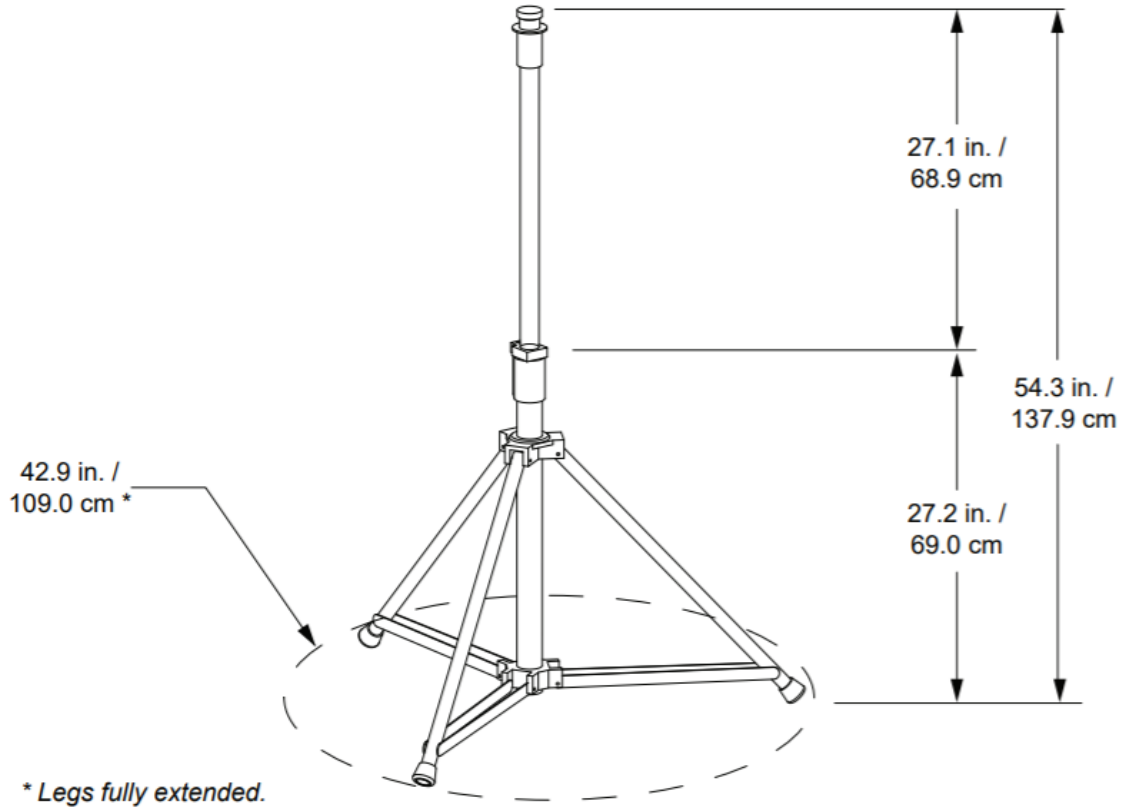
Throw Distance	40' (12.19m)	50' (15.24m)	75' (22.86m)	100' (30.48m)	125' (38.1m)	150' (45.72m)	175' (53.34m)
Field Diameter (feet)	9.11	10.6	15.77	21.02	26.28	31.53	36.79
Field Diameter (meters)	2.78	3.23	4.81	6.41	8.01	9.61	11.21
Illuminance (FC)	207.8	133.0	59.1	33.3	21.3	14.8	10.9
Illuminance (LUX)	2236.9	1431.6	636.3	357.9	229.1	159.1	116.9

Note: Photometrics data on this page taken with 11808K native white LED output (no CTO or color).

AFS500 Dimensions



AFS500 Tripod Dimensions



Specifications

Housing:	Extruded and die-cast aluminum construction.
Materials:	Corrosion-resistant materials and hardware
Control:	DMX-512A network or local control via AFS-500 Control Panel (not RDM enabled)
Light Engine:	490 Watt Cool White Array (11808K)
Beam Lumens:	Refer to photometric performance pages
Beam Angle	7 - 14 degrees
Rated LED Life:	LED arrays are rated for > 50,000 hours of operation to 70% intensity
Input Voltage:	100 to 240 VAC, 50/60 Hz
Current Draw:	4.08 A at 120VAC / 2.13A at 230VAC
Quiescent Load:	Fans on, Lamp off - 0.39A at 120VAC (46.8 Watts)
Cooling:	Active fan colling
Environment:	0 to 45 degrees C (32 to 113 degrees F) with humidity of 5%-95% (non-condensing)
Weight:	Fixture only: 25.5 lbs (11.5 kg) Tripod only: 12 lbs (5.5 kg)
Color:	Black
Compliance:	cETLus listed and CE marked for indoor use
Connectors:	Two 5-pin DMX connectors (one input, one output / through)
DMX Channels:	6
Strobe Rate:	1 to 20 Hz
Warranty:	Five (5) years and one (1) day
Support:	Supported for the life of the product

Ordering Information

AFS-500-B

**Fixture with AFS-500 control panel and tripod stand (AFS-TP). AC power input cable sold separately*

Accessories

PCL-BARE-12-25	PowerCON (blue) to bare end, 25-foot (7.62 m) 20A power input cable
PCL-PBG-12-25	PowerCON (blue) to Edison Male, 25-foot (7.62 m) 20A power input cable
PCL-BARE-12-5	PowerCON (blue) to bare end, 5-foot (1.5 m) 20A power input cable
PCL-2P&G-12-5	PowerCON (blue) to Stage Pin Male, 5-foot (1.5 m) 20A power input cable
PCL-PBG-12-5	PowerCON (blue) to Edison Male, 5-foot (1.5 m) 20A power input cable
PCL-TLG-12-5	PowerCON (blue) to L5-20P Twist Lock Male, 5-foot (1.5 m) 20A power input cable
AFS-ACFF	Altman Follow Spot Accessory Face Frame, 7.5 in. x 7.5 in. color filter front end accessory slot (fits AFS-700 or AFS-500 follow spots)
AFS-ECB	Altman Follow Spot Accessory, external color boomerang (up to 6 colors - requires AFS-ACFF)
AFS-TP	AFS-700 Tripod Stand

Note: Accepts standard 7.5-inch accessories in the optional front end accessory holder part number AFS-ACFF. Accessories and accessory holder sold separately..