

## ACTION-515A



### DESCRIPTION

ACTION-515A is an active system designed to deliver a highly versatile solution, from fixed installations to the popular portable PA application. Its rotatable horn with 90° x 60° dispersion means the enclosure can be used horizontally in a fixed installation, as a stage monitor or even as front fill.

As part of our company culture, all our systems are developed under a single philosophy: to deliver the highest possible quality in terms of both materials and overall system design. In the ACTION-500 series we use the same birch plywood as our touring systems for a tight, natural warm sound found nowhere else on the market. The series' full range of active tops is complete with two balanced XLR inputs for mic and line, an additional 3.5 mm mini jack input, and a powerCON connection.

The system has a 15MI4 loudspeaker for a more powerful low-frequency response than other tops in the series and an M-34 compression driver for high frequencies which, together with the 1000 Wpeak Class D amplifier, deliver outstanding performance. The DAScontrol™ interface uses a high-range 24-bit DSP and rear LCD screen to enable the selection of presets, EQ modes, delay, gain control and signal source mix.

### KEY FEATURES

- Active biamp system
- Dual-channel 1000 Wpeak Class D amplifier
- Birch plywood enclosure
- Durable ISO-flex paint
- DAScontrol™ interface for easy setup and adjustment
- DSP with presets and LCD screen

### APPLICATIONS

- Live sound reinforcement
- Bands, DJ's and performers
- Speech and vocals
- Music playback in entertainment
- A/V, conferences and presentations

### SPECIFICATIONS

#### Performance

Frequency Range (-10 dB)	45 Hz - 20 kHz
Horizontal Coverage (-6 dB)	90°
Vertical Coverage	60°
Maximum Peak SPL at 1 m	131 dB

#### Electronics and Connectors

Nominal Amplifier Power (continuous)	500 W
Nominal Amplifier Power (peak)	1000 W
Input Type	Balanced
Input Impedance	20 kohms
Input Sensitivity	1.95 V (+8 dBu)
Audio Signal Input Connector	2 x Female XLR
AUX Input	1 x 3.5 mm Mini Jack
Audio Signal Loop Thru Connector	1 x Male XLR
Control	DAScontrol™
AC Input Connector	powerCON NAC3MPA
Operating Range	90-127/180-250 VAC
Current Draw 115 V	2.2 A
Current Draw 230 V	1.1 A

#### Enclosure

Enclosure Construction	Birch Plywood
Enclosure Geometry	Trapezoidal

# ACTION-515A

Rigging	M10 Rigging Points
Finish	ISO-flex Paint
Color	Black
Dimensions ( H x W x D )	720 x 445 x 385 mm 28,4 x 17,5 x 15,2 in
Net Weight	23,5 kg ( 51,8 lb )

## Components

LF Driver	15MI4
HF Driver	M-34
Horn/Waveguide	BC-916

## Shipping

Carton Dimensions ( H x W x D )	785 x 430 x 505 mm 30,9 x 16,9 x 19,9 in
Shipping Weight	26,5 kg ( 58,4 lb )

## ORDERING INFORMATION

### Performance

Model	Description	P/N
-------	-------------	-----

### System

ACTION-515A	2-way Powered Point Source	10427250
-------------	----------------------------	----------

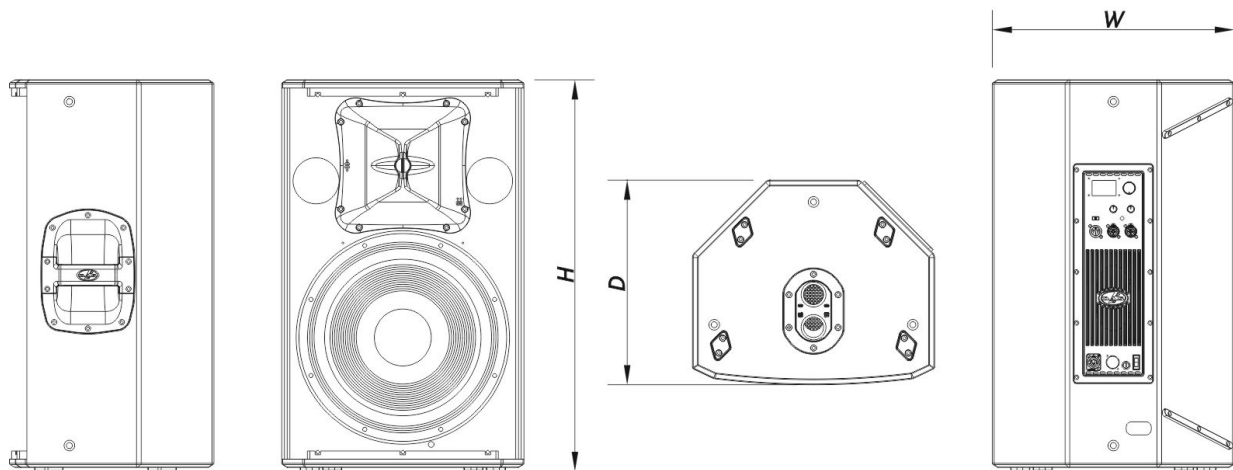
### Replacement Parts

15MI4	Cone Transducer	10214300
BC-916	Horn	30006590
DSP-ACTION-515A	Dsp	20406594
GM-15MI4	Recone Kit	20208280
GM-M34	Diaphragm	20205060
M-34	Compression Driver	10207080
MP-ACT515A	Power Module	20406584

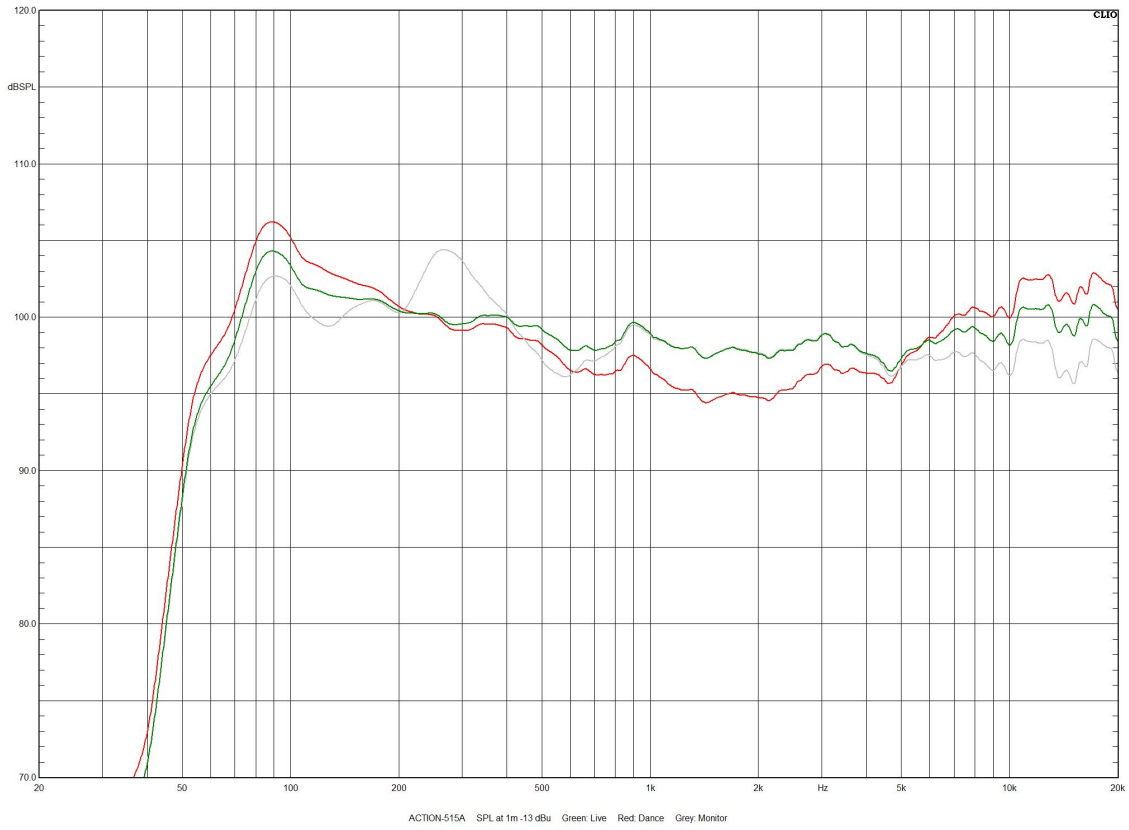
### Accessories

ANL-2	Rigging Accessories	10101020
FUN-VT15	Transport Accessories	10103720
TRD-2	Installation & Stacking Acc.	10104010
TRD-6	Installation & Stacking Acc.	10104470
TRD-7	Installation & Stacking Acc.	10104471

## DIMENSIONS



## PERFORMANCE DATA



Frequency response

