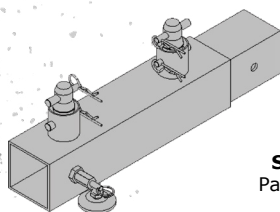


IRiS™ R2 & IP3 Stacking System

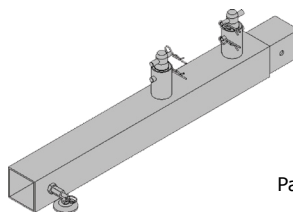


Overview:

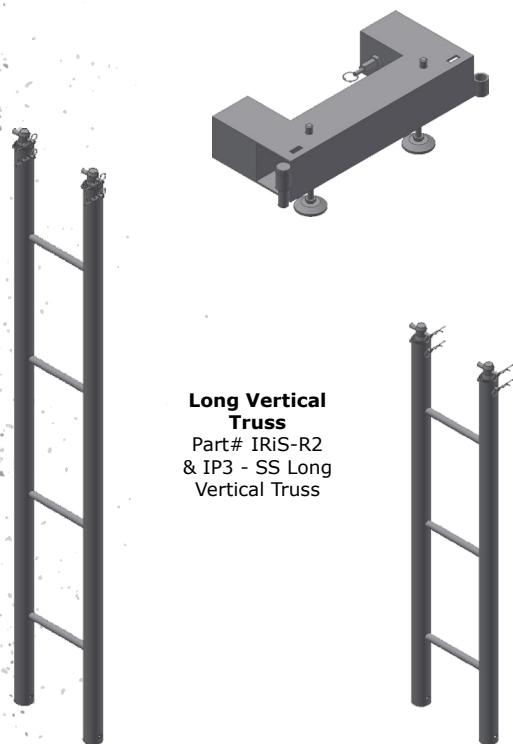
This ground support system is compatible with the IRiS™ R2 and IRiS™ IP3 LED video displays.



Short Extension Leg
Part# IRiS-R2 & IP3 - SS
Short Extension Leg



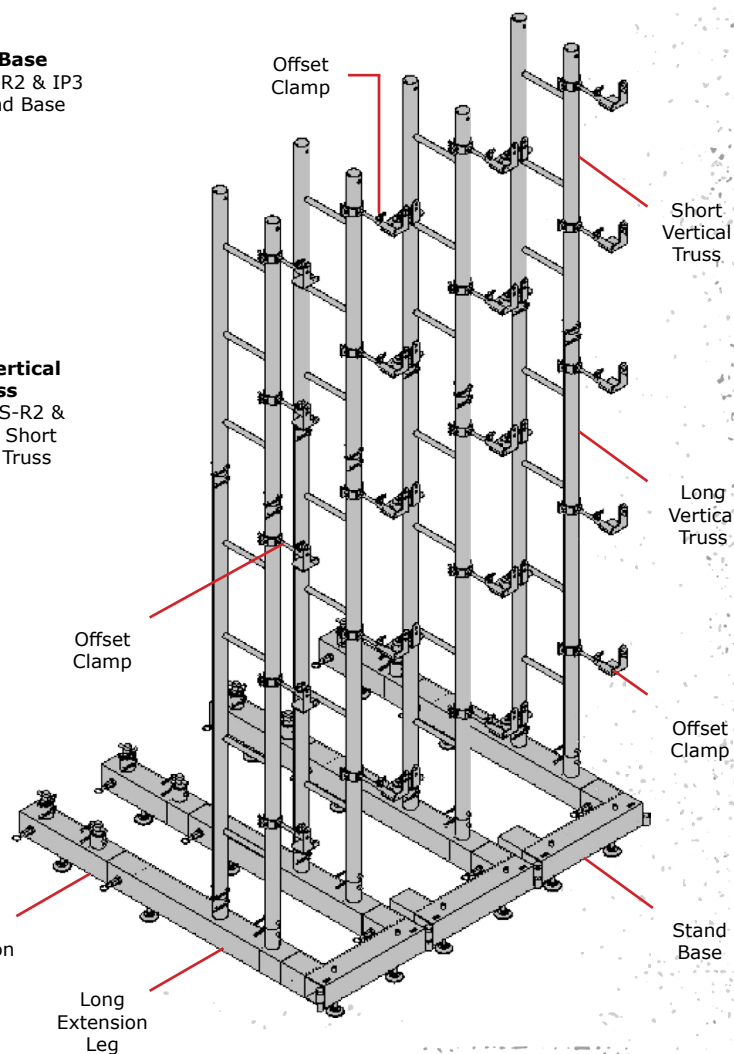
Long Extension Leg
Part# IRiS-R2 & IP3 - SS
Long Extension Leg



Long Vertical Truss
Part# IRiS-R2 & IP3 - SS Long Vertical Truss

Stand Base
Part# IRiS-R2 & IP3 - SS Stand Base

Short Vertical Truss
Part# IRiS-R2 & IP3 - SS Short Vertical Truss



Offset Clamp

Short Vertical Truss

Long Vertical Truss

Offset Clamp

Offset Clamp

Short Extension Leg

Long Extension Leg

Stand Base

Available Cases:

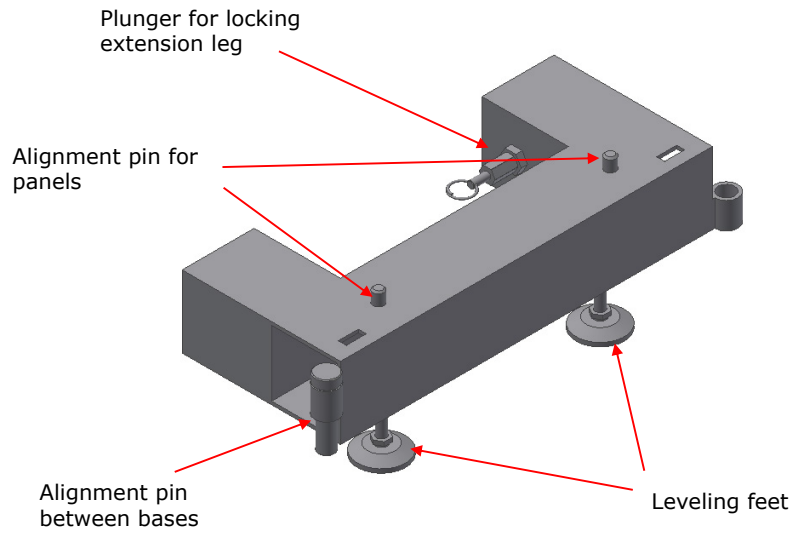
- **Stand Base Case:** ATA-spec flight case for stacking system stand base.
- **Extension Leg Case:** ATA-spec flight case for stacking system extension legs.
- **Short Vertical Truss Case:** ATA-spec flight case for stacking system short truss.
- **Long Vertical Truss Case:** ATA-spec flight case for stacking system long truss.

IRIS™ R2 & IP3 Stacking System

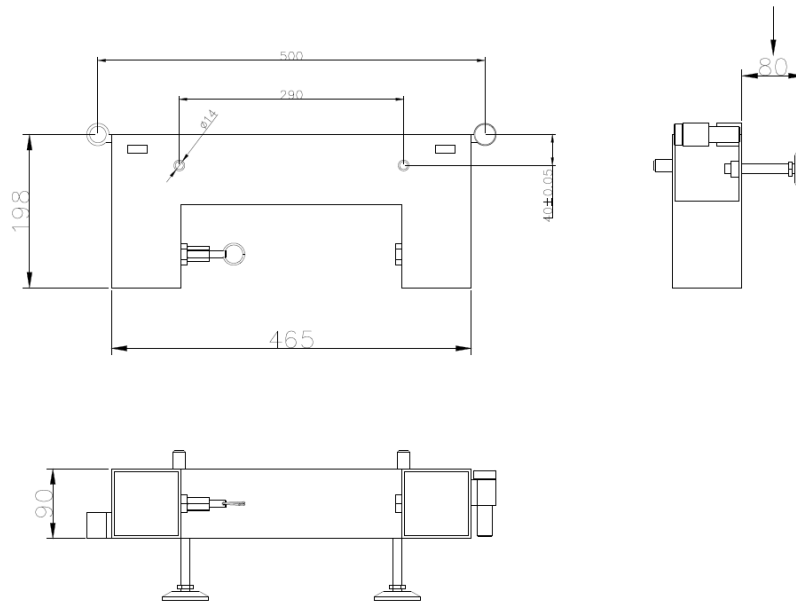


a.) Stand Base

Stand base for the IRIS R2 & IP3 stacking system.



Adjustable between 20-80 mm

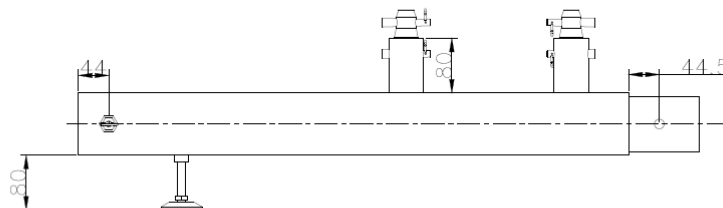
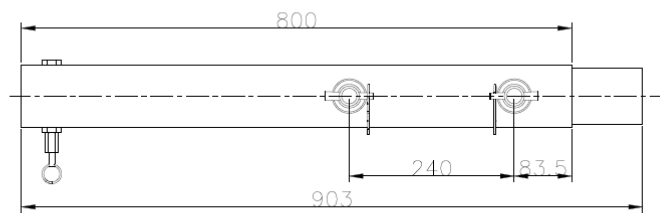
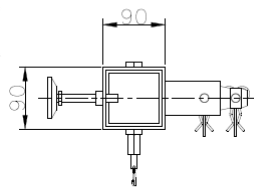
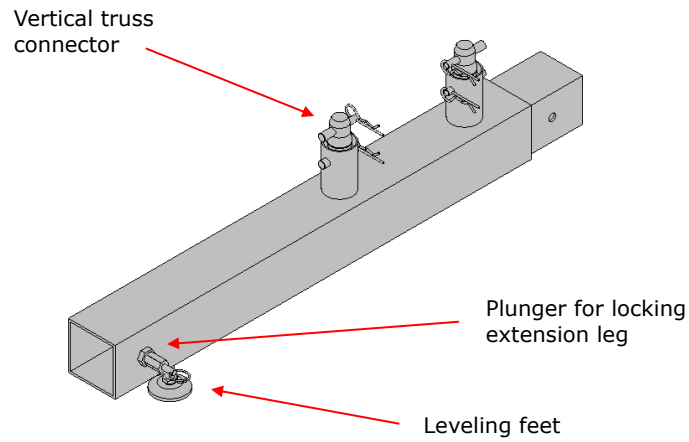


IRIS™ R2 & IP3 Stacking System



b.) Long Extension Leg

Long extension leg for the IRIS R2 & IP3 stacking system.

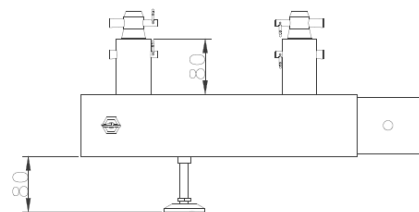
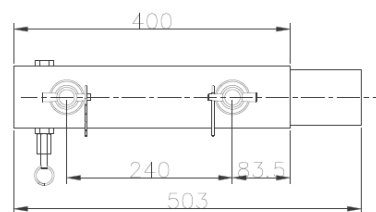
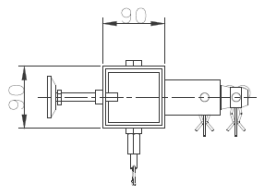
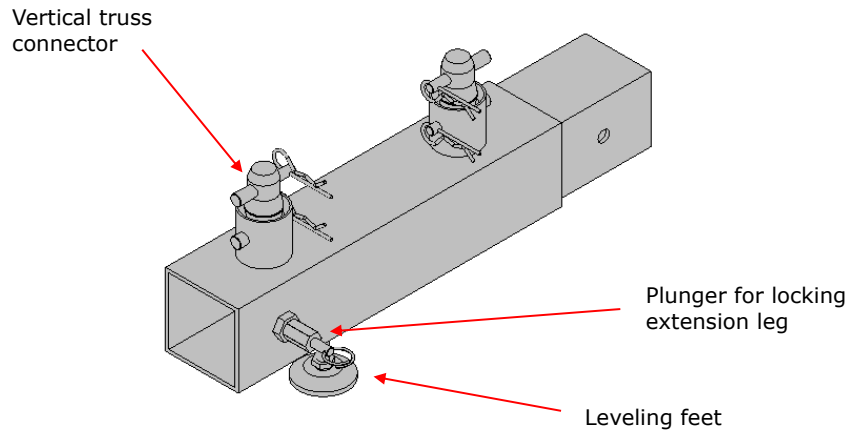


IRIS™ R2 & IP3 Stacking System



c.) Short Extension Leg

Short extension leg for the IRIS R2 & IP3 stacking system.

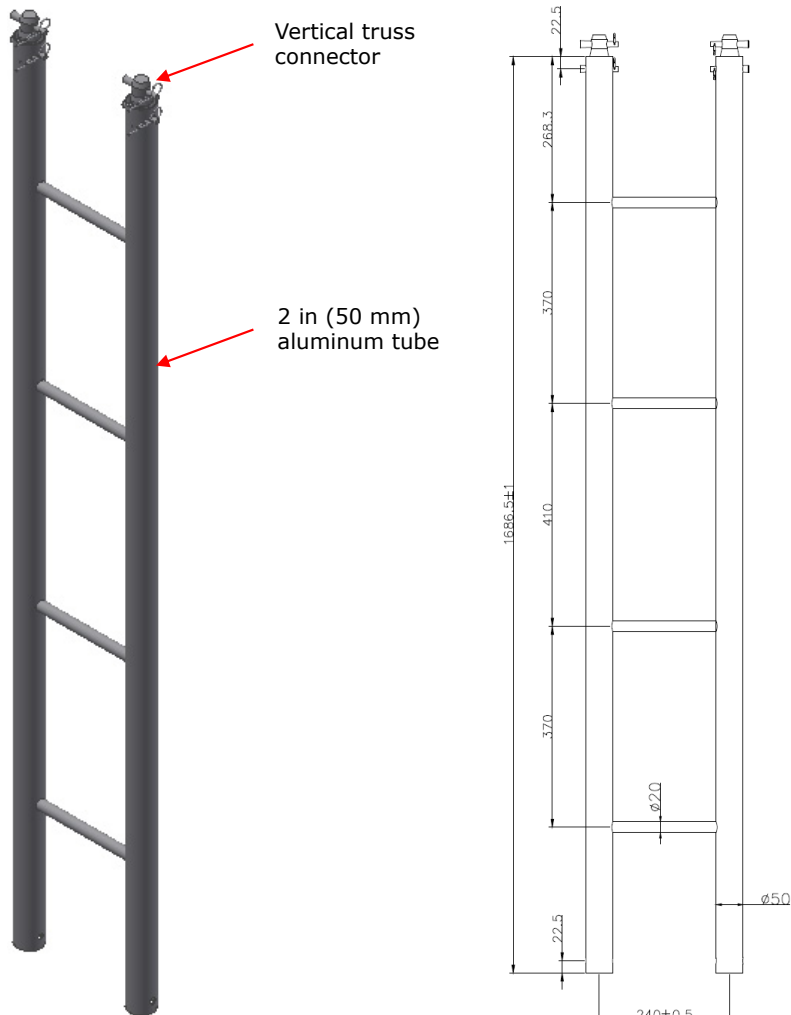


IRIS™ R2 & IP3 Stacking System

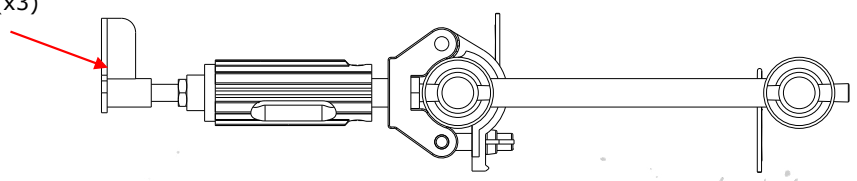


d.) Long Vertical Truss (1686 mm)

Each long vertical truss segment comes with 3x offset clamps to secure the panels.



Offset Clamp (x3)

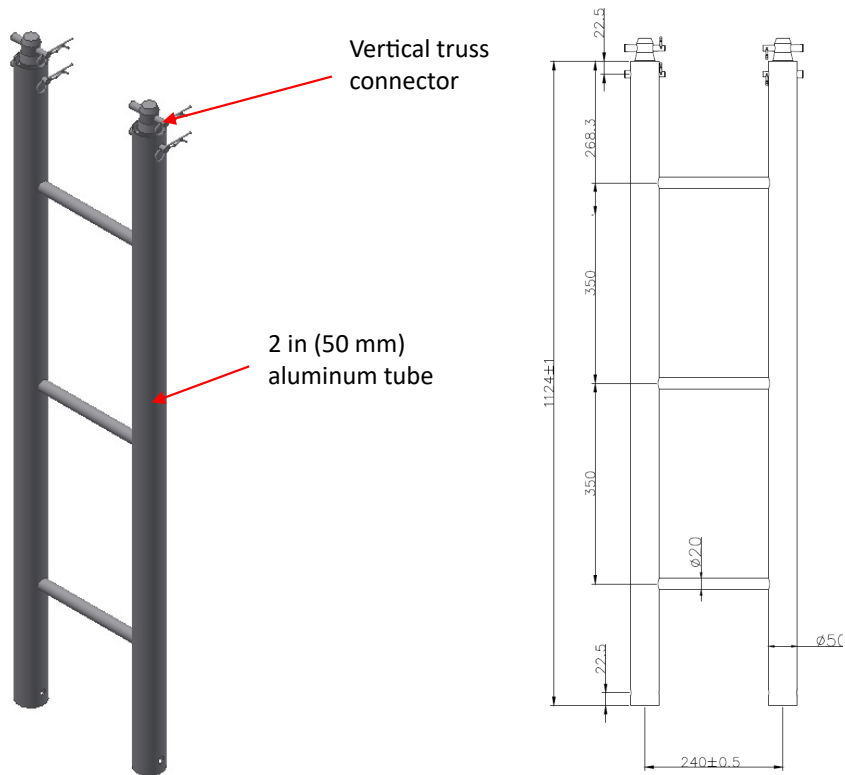


IRIS™ R2 & IP3 Stacking System

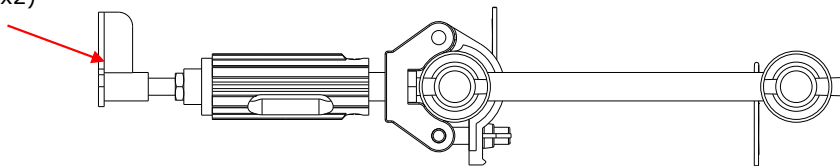


e.) Short Vertical Truss (1124 mm)

Each short vertical truss segment comes with 2x offset clamps to secure the panels.



Offset Clamp (x2)



IRIS™ R2 & IP3 Stacking System

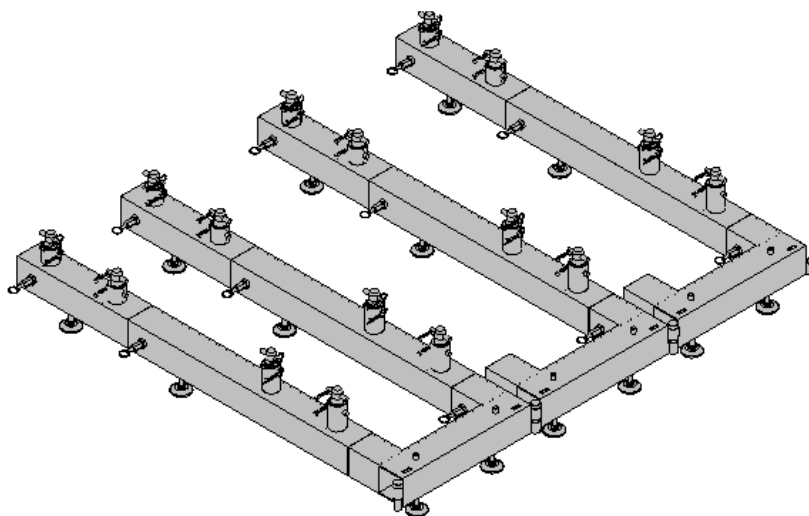


Setup Instructions

a.) Assemble the Bases

Based on the screen size, lay the bases on the floor. Then connect the extension legs in behind. Choose the extension legs based on the height of the screen. Adjust the leveling feet to make sure the top of the base is leveled.

To connect the extension leg with the base, pull the plunger first then insert the extension leg, then release the plunger to lock the extension leg in place.



Height	Extension Legs
1-3 panels	Short extension leg
4-6 panels	Long extension leg
6-10 panels	Short extension leg and long extension leg

IRIS™ R2 & IP3 Stacking System

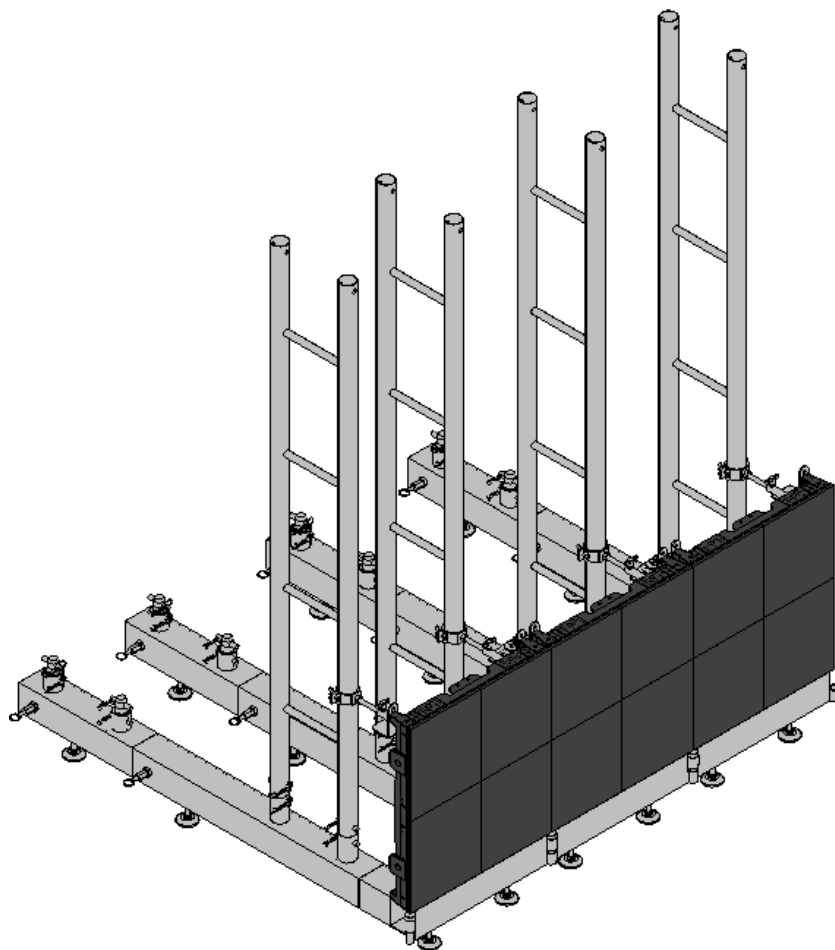


Setup Instructions

b.) Build the First Row of Screen

Install the first row of vertical truss and connect the panels with trusses by bolt the stand offs on the panel. Adjust the leveling feet and panels carefully to make sure the first row of screen is leveled.

Connect the vertical truss with the base by truss connectors. Take off the clevis pin then put the truss on the connector. Insert the clevis pin and the clip to lock the truss.



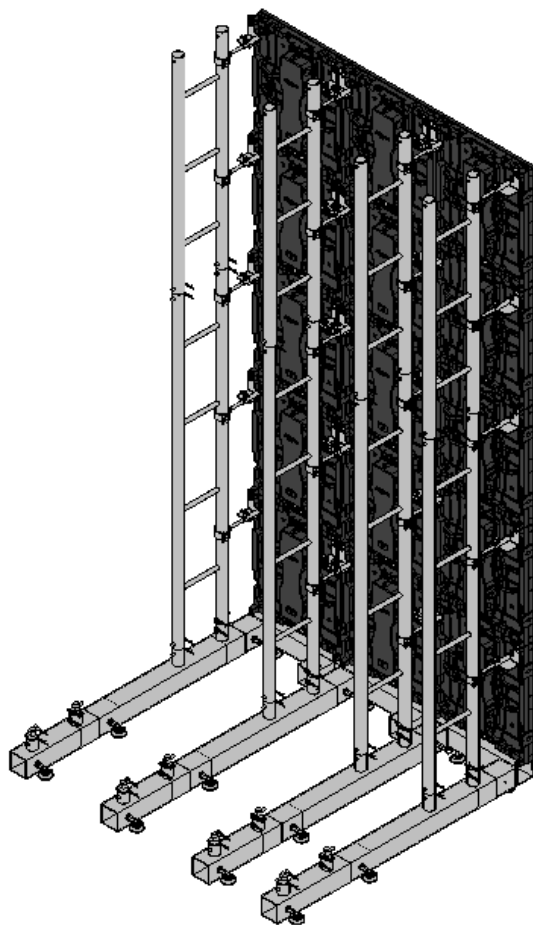
IRIS™ R2 & IP3 Stacking System



Setup Instructions

c.) Build the Whole Screen

After the first row is built, then build the whole screen upon it by adding panels and vertical trusses.



Safety

- a.) **Environment:** This ground support system is designed for indoor use only. If you want to use it outdoor please get approval from a certified engineer.
- b.) **Height:** No more than 10 panels high is allowed.
- c.) **Counter balance weight:** Counter balance weight is required for the system. The counter balance weight should be equal or greater than the weight of the panels itself.