

TPZ153-FK

Fly Plate Kit For TPZ153 Loudspeakers



- Fly plate kit for arraying 3 TPZ153 loudspeakers
- Selection of angles from 50 to 90 degrees in 5 degree steps
- Hard wearing semi matt black powder coat finish
- 3-Year Warranty Program*
- Designed and engineered in England

The TPZ153-FK fly kit allows a horizontal array of three TPZ153/64 cabinets to be assembled. Angle adjustments between cabinets range from 50° to 90° in increments of 5°, and are achieved by choosing various mounting holes on the top and bottom brackets. Finished in a semi matt black powder coat, the TPZ153-FK ships with the necessary M10 bolts and washers for attaching the top and bottom brackets securely to the cabinet. M10 eyebolts are also included for flying the assembled array.



You Are Covered

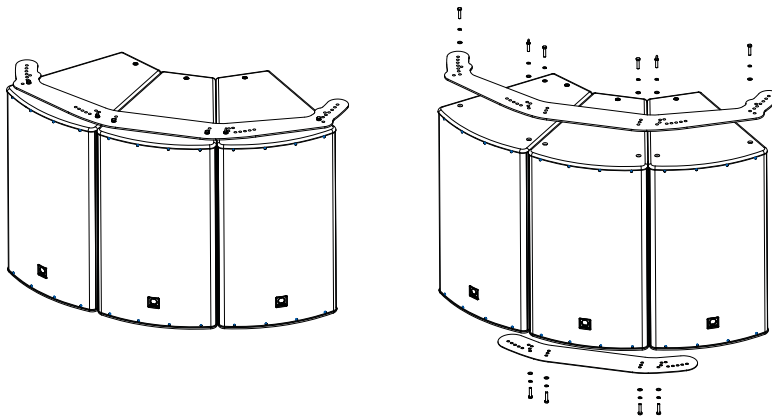
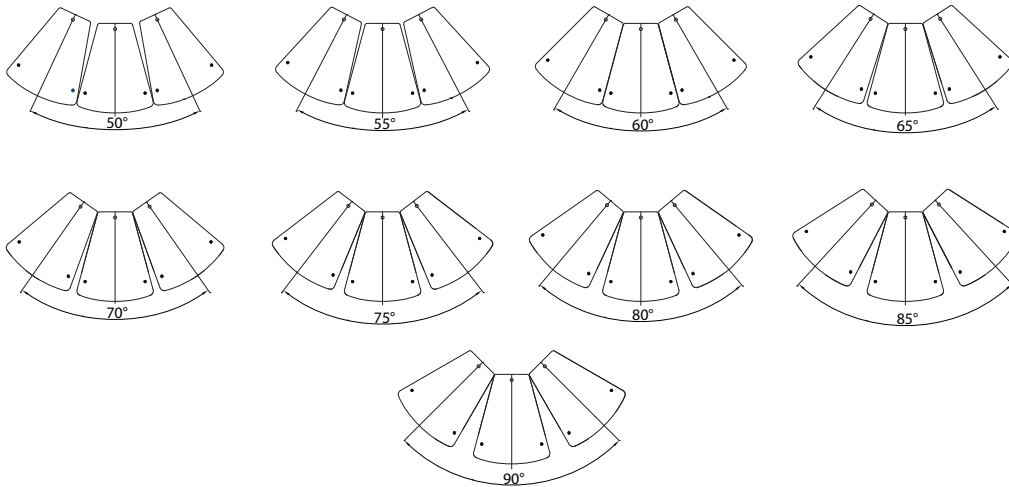
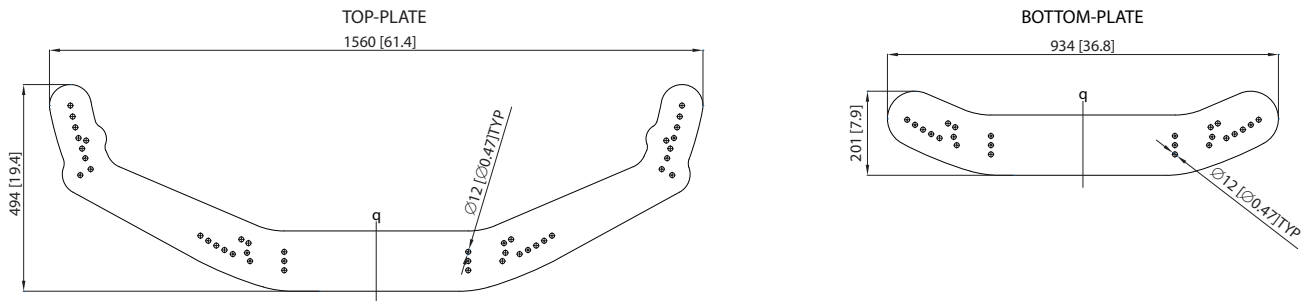
We always strive to provide the best possible Customer Experience. Our products are made in our own MUSIC Group factory using state-of-the-art automation, enhanced production workflows and quality assurance labs with the most sophisticated test equipment available in the world. As a result, we have one of the lowest product failure rates in the industry, and we confidently back it up with a generous 3-Year Warranty program.



TPZ153-FK

Fly Plate Kit For TPZ153 Loudspeakers

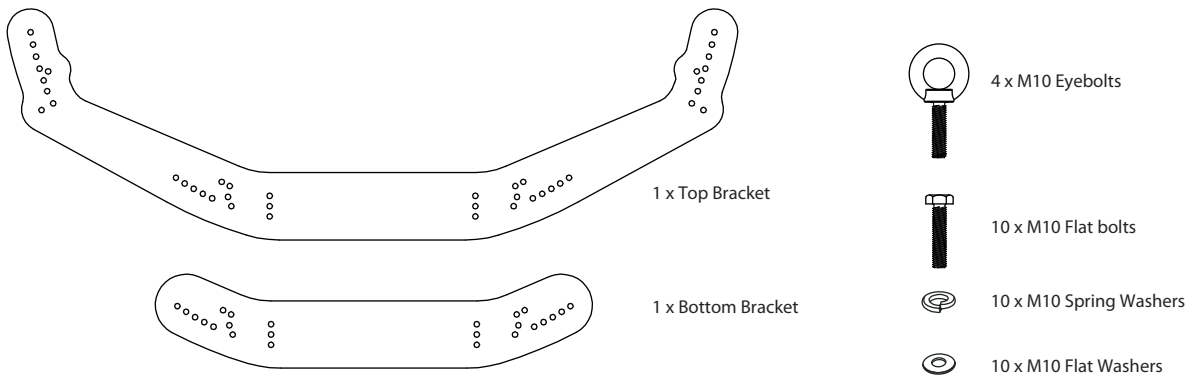
Dimensions



TPZ153-FK

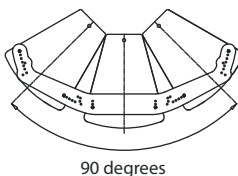
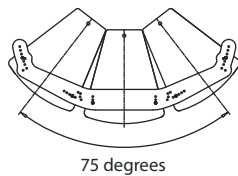
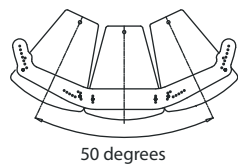
Fly Plate Kit For TPZ153 Loudspeakers

Contents

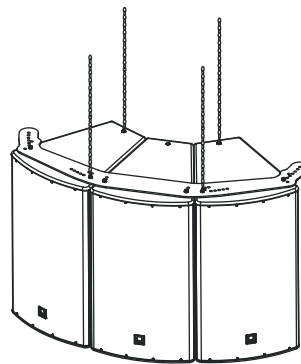


Mounting and Rigging

The TPZ153-FK fly kit allows a horizontal array of three TPZ153/64 cabinets to be configured, with a selection of angles between the cabinets from 50 to 90 degrees, in 5 degree steps. Angle adjustment is provided by choosing various mounting holes on the top and bottom brackets. M10 bolts and washers are supplied for assembling the array, and M10 eyebolts for flying the assembly.



Adjustable angle from 50 to 90 degrees in 5 degree steps.



Horizontal array of three TPZ153/64 cabinets using the TPZ153-FK fly kit.

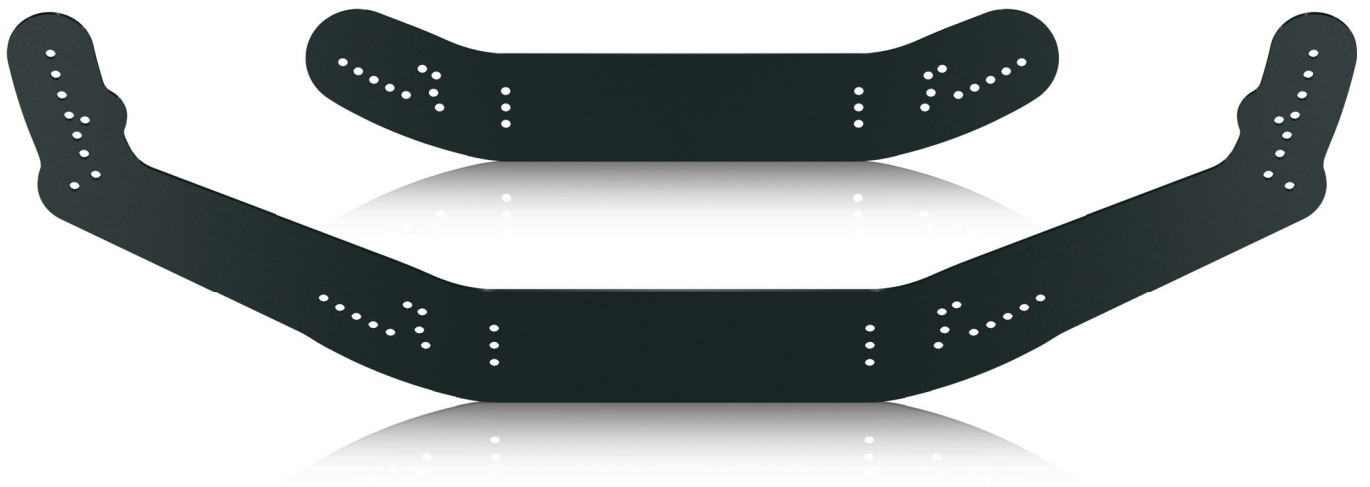
TPZ153-FK

Fly Plate Kit For TPZ153 Loudspeakers



TPZ153-FK

Fly Plate Kit For TPZ153 Loudspeakers



TPZ153-FK

Fly Plate Kit For TPZ153 Loudspeakers



TPZ153-FK

Fly Plate Kit For TPZ153 Loudspeakers



For service, support or more information contact the TURBOSOUND location nearest you:

Europe
MUSIC Group Services UK
Tel: +44 156 273 2290
Email: CARE@music-group.com

USA/Canada
MUSIC Group Services NV Inc.
Tel: +1 702 800 8290
Email: CARE@music-group.com

Japan
MUSIC Group Services JP K.K.
Tel: +81 3 6231 0454
Email: CARE@music-group.com

MUSIC Group accepts no liability for any loss which may be suffered by any person who relies either wholly or in part upon any description, photograph, or statement contained herein. Technical specifications, appearances and other information are subject to change without notice. All trademarks are the property of their respective owners. MIDAS, KLARK TEKNIK, LAB GRUPPEN, LAKE, TANNÖY, TURBOSOUND, TC ELECTRONIC, TC HELICON, BEHRINGER, BUGERA and DDA are trademarks or registered trademarks of MUSIC Group IP Ltd.
© MUSIC Group IP Ltd. 2016 All rights reserved.