

LIVERPOOL

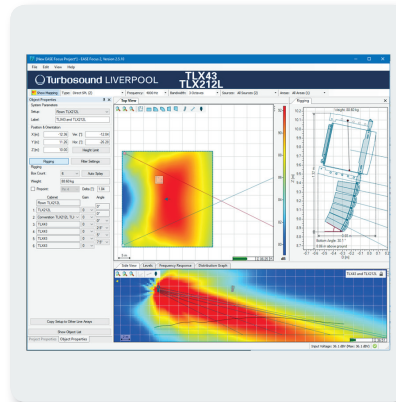
TLX43-FLB

Fly Bar for TLX43 and TLX212L for Suspended or Ground Stacked Arrays



- Custom designed fly bar for suspending TLX43 line array elements and TLX212L subwoofers in unique or mixed arrays
- Suspend up to 10 TLX43 or 2 TLX212L with a 10:1 safety factor
- Inverts to ground stack TLX43 elements above TLX212L subwoofer
- Powder coated steel construction
- Drop links and rigging pins included
- Multiple pick points for up to 3/4" shackles for single- or two-point suspension
- 3-Year Warranty Program*
- Designed and engineered in the U.K.

The TLX43-FLB Flybar is designed to safely suspend unique or mixed arrays of TLX43 line array elements and TLX212L subwoofers. Engineered to meet BGV-C1 specifications, the flybar can suspend up to 10 TLX43 elements or 2 TLX212L subwoofers in unique arrays, or 1 TLX212L subwoofer and 4 TLX43 elements in a mixed array with a safety factor of 10:1. The flybar is secured to the uppermost speaker enclosure using the supplied drop links and rigging pins, with additional enclosures attaching in a similar manner below in succession. For suspension of mixed arrays, a second TLX43-FLB is used to couple TLX43 elements to the TLX212L subwoofer above.



EASE GLL files are provided for EASE Focus Acoustic Simulation Software, which is available for free download. This allows accurate calculation of both acoustic coverage and suspension pick point selection for tilting and aiming the array at the desired angle. Multiple pick points are provided for shackles up to 3/4" in size, which can be utilised either in single- or two-point suspension configurations. For ground stacked applications, the flybar can be inverted for securely mounting TLX43 enclosures above the TLX212L subwoofer.

LIVERPOOL

TLX43-FLB

Fly Bar for TLX43 and TLX212L for
Suspended or Ground Stacked Arrays

You Are Covered

We always strive to provide the best possible Customer Experience. Our products are made in our own **MUSIC Group** factory using state-of-the-art automation, enhanced production workflows and quality assurance labs with the most sophisticated test equipment available in the world. As a result, we have one of the lowest product failure rates in the industry, and we confidently back it up with a generous **3-Year Warranty** program.

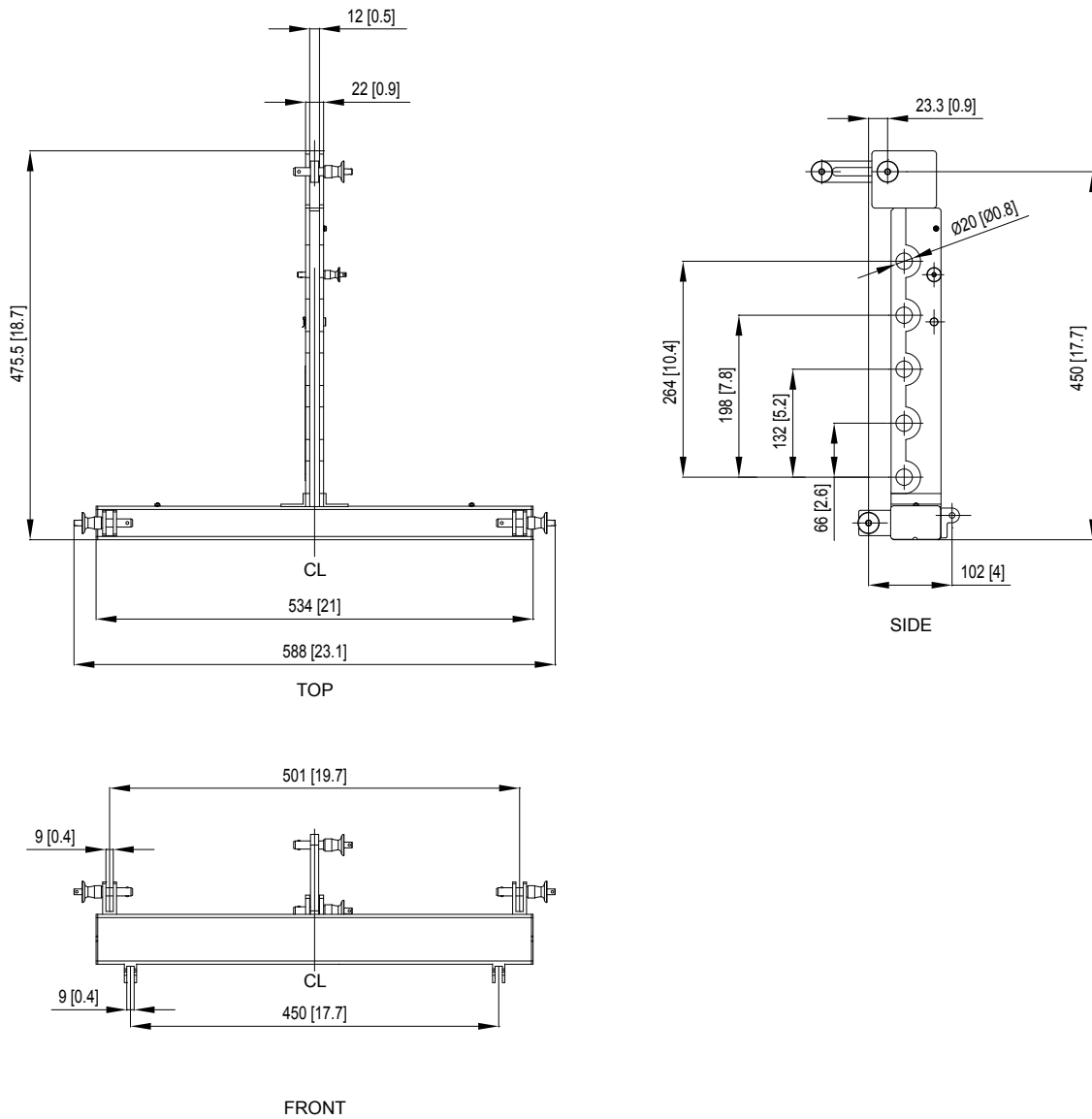


LIVERPOOL

TLX43-FLB

Fly Bar for TLX43 and TLX212L for
Suspended or Ground Stacked Arrays

Dimensions



LIVERPOOL

TLX43-FLB

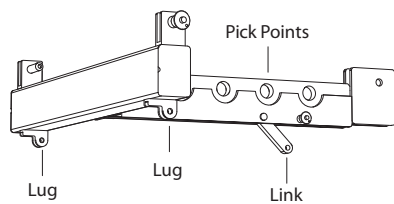
Fly Bar for TLX43 and TLX212L for
Suspended or Ground Stacked Arrays

Mounting and Rigging

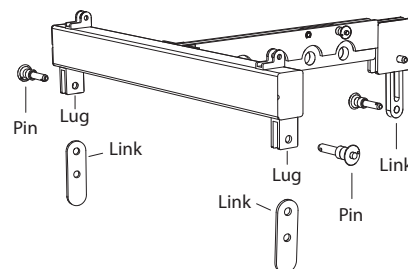
! Safety Warning: Only authorised and certified personnel shall design and install suspended or ground stack configurations, following the instructions and procedures in the TLX43-FLB rigging manual supplied with the TLX43-FLB flybar, or downloaded from turbosound.com. Failure to follow these instructions may lead to death or permanent injury. For maximum array sizes, weights and working load limits, please consult the TLX43-FLB rigging manual.

One side of the TLX43-FLB flybar is used to suspend **TLX43** cabinets. It has 2 fixed mounting lugs and a drop down link that connect to corresponding lugs and rear mounting hole on the **TLX43** cabinet. The main arm of the flybar has five 20 mm diameter pick points.

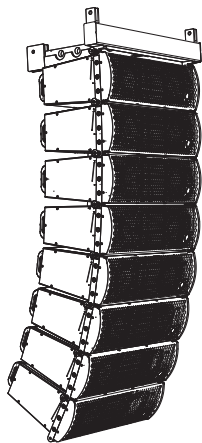
The TLX43-FLB flybar is inverted to connect to the **TLX212L** subwoofer. It has 2 fixed mounting lugs and a drop down link that connect to corresponding lugs and rear mounting hole on the **TLX212L** subwoofer. The flybar can connect to the top or bottom of a **TLX212L** subwoofer, using the supplied hardware shown. The hardware should be removed and kept in a safe place if a **TLX212L** subwoofer is not used.



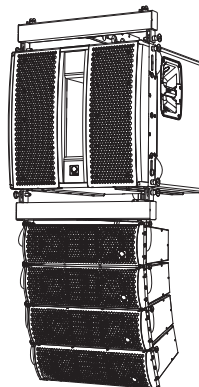
TLX43-FLB flybar oriented to attach to a TLX43 cabinet.



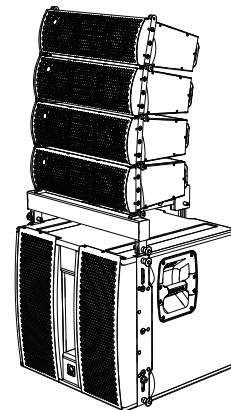
TLX43-FLB flybar oriented to attach to a TLX212L subwoofer



An array of 8 TLX43 cabinets
attached to a TLX43-FLB flybar



A mixed array with a TLX212L
subwoofer, 4 TLX43 cabinets and
2 TLX43-FLB flybars

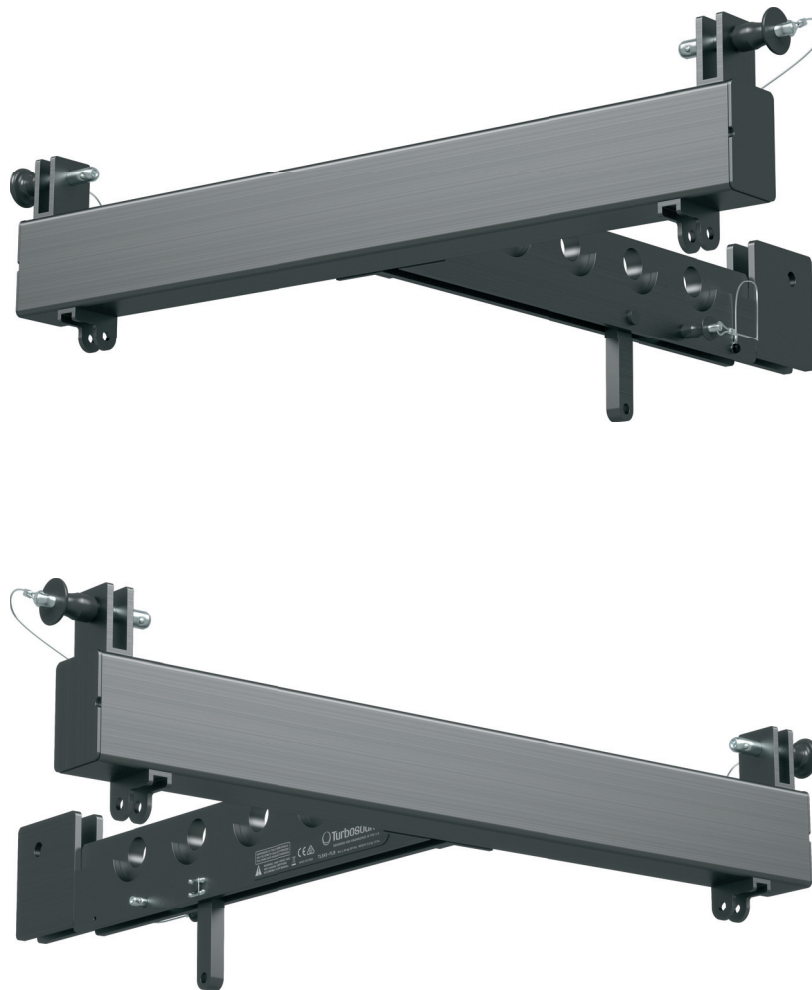


A mixed array ground stack with
a TLX212L subwoofer, 4 TLX43
cabinets and a TLX43-FLB flybar

LIVERPOOL

TLX43-FLB

Fly Bar for TLX43 and TLX212L for
Suspended or Ground Stacked Arrays

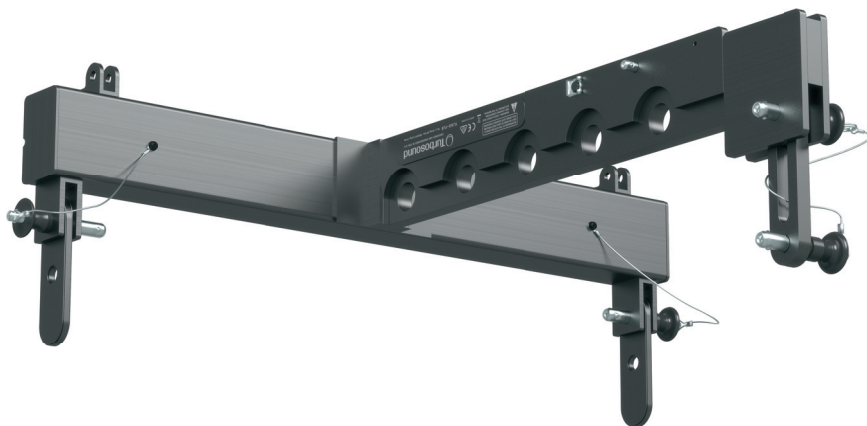
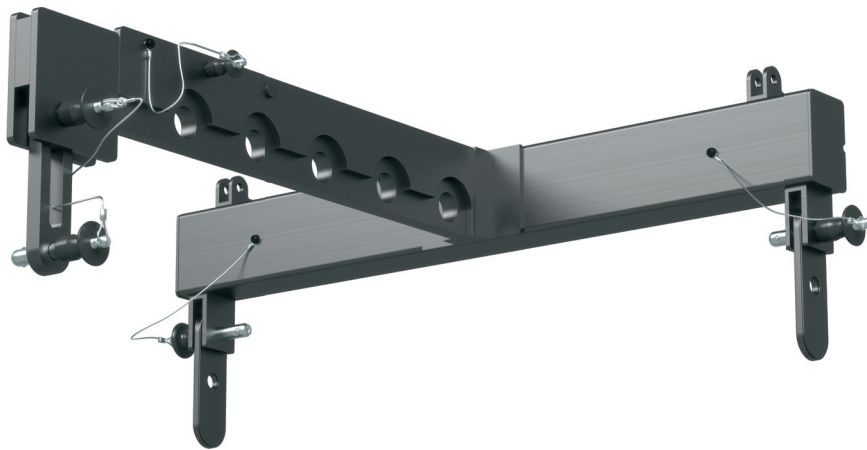


TLX43-FLB : TLX43 Suspension Mode

LIVERPOOL

TLX43-FLB

Fly Bar for TLX43 and TLX212L for
Suspended or Ground Stacked Arrays



TLX43-FLB : TLX212L Suspension Mode

LIVERPOOL

TLX43-FLB

Fly Bar for TLX43 and TLX212L for
Suspended or Ground Stacked Arrays



Year Warranty

For service, support or more information contact the TURBOSOUND location nearest you:

Europe
MUSIC Group Services UK
Tel: +44 1562 547 100
Email: CARE@music-group.com

USA/Canada
MUSIC Group Services NV Inc.
Tel: +1 702 963 1300
Email: CARE@music-group.com

Japan
MUSIC Group Services JP K.K.
Tel: +81 3 5833 9121
Email: CARE@music-group.com

MUSIC Group accepts no liability for any loss which may be suffered by any person who relies either wholly or in part upon any description, photograph, or statement contained herein. Technical specifications, appearances and other information are subject to change without notice. All trademarks are the property of their respective owners. MIDAS, KLARK TEKNIK, LAB GRUPPEN, LAKE, TANNÖY, TURBOSOUND, TC ELECTRONIC, TC HELICON, BEHRINGER, BUGERA and DDA are trademarks or registered trademarks of MUSIC Group IP Ltd.
© MUSIC Group IP Ltd. 2017 All rights reserved.