

SR ADAPTERS

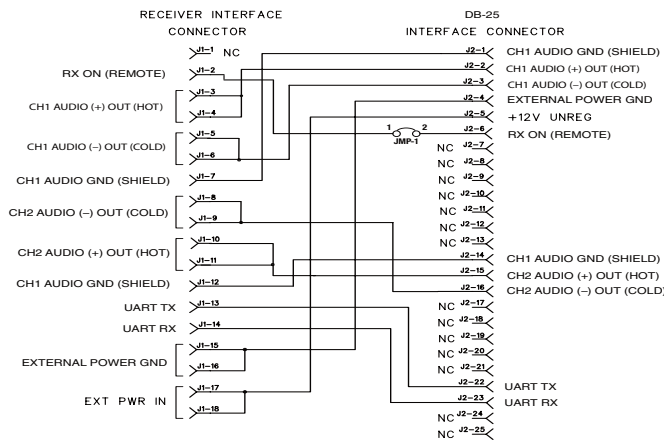
TECHNICAL DATA

For Camera Slot and Stand-alone Use

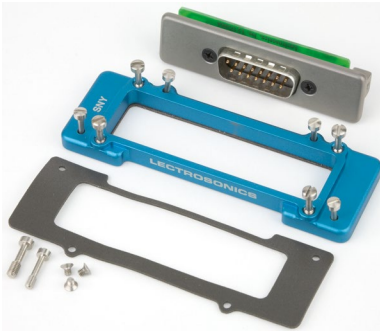
SRSUPER Unislot Camera Adapter Kit Contents



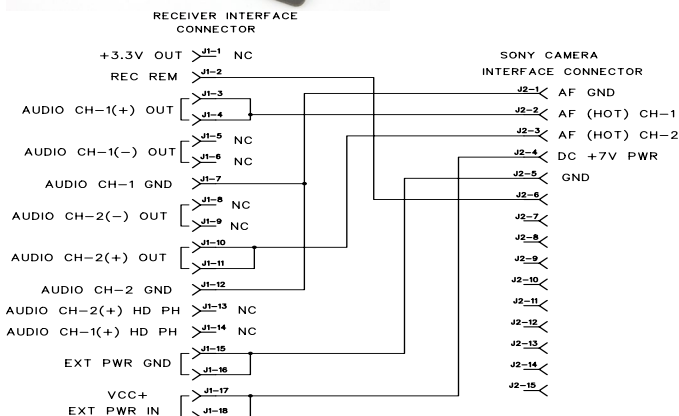
Adapter kit for Unislot® camera slots such as those provided on Ikegami® and Panasonic® cameras.* Includes bezel, hardware and rear panel DB25 connector wired for power and audio connections.



SRSNY Sony Camera Adapter Kit Contents



Adapter kit for Sony® camera slots,* includes bezel, hardware, spare gasket and rear panel DB15 connector wired for power and audio connections.



SRSUPER Adapter Mounting



Thread two short screws through the recessed tabs on the adapter and slide it onto the receiver housing. Thread two short screws through the tabs on the receiver flange as shown.



On the opposite side, thread two long screws through the tabs on the receiver flange, then align them with the tabs on the adapter.



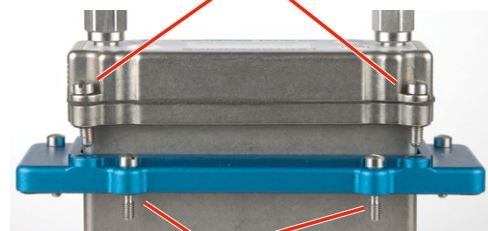
Slide the adapter up and tighten the retaining screws to secure it to the receiver flange.

SRSNY Adapter Mounting



The smaller screws thread through the adapter and into the camera body. The larger screws mount the receiver flange to the adapter.

Larger screws (4) attach receiver to the adapter



Smaller screws (4) attach the adapter to camera body

NOTE: If you are having difficulty inserting the receiver into the camera slot, try mounting the blue adapter plate to the camera first, then inserting the receiver.

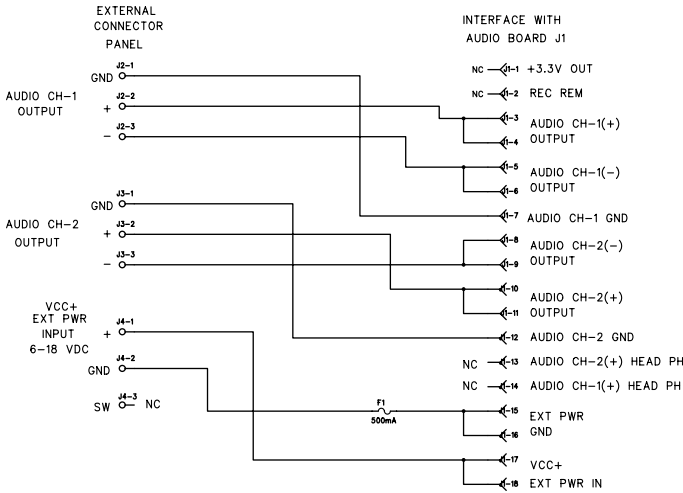


SREXT Adapter for Stand-alone Use



21747 6 ft. cable

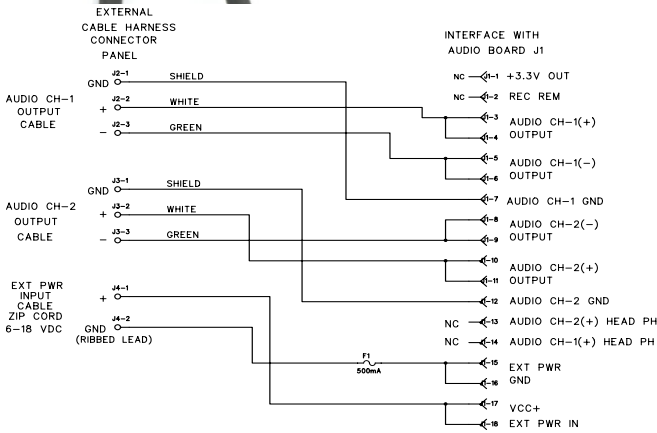
This kit includes an output and power panel with two TA3 male, balanced outputs and a power jack with a locking connector. A 6 foot power cable is included.



SRHARNESS Adapter for Stand-alone Use



The two balanced audio outputs and the power cable are secured to the panel with rugged strain reliefs. Cables are 6 feet long and audio cables are shielded. No connectors are provided.

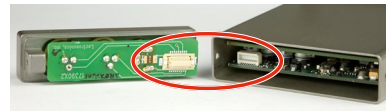


Installing Rear Panel Adapters

Installation of the rear panel output/power adapters is the same for all models.



Panels are held in place by two Phillips head screws on the sides of the housing.

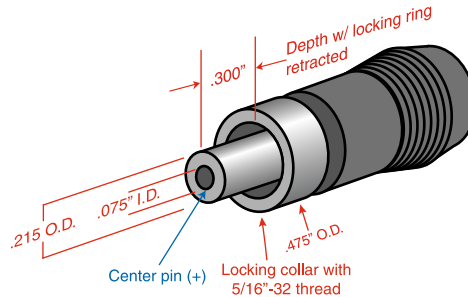


Connections between the panel and main circuit board are made via miniature mating connectors.



Carefully align the mating connectors and gently slide the panel straight into the housing until the screw holes align with the housing.

Mating Power Connector Dimensions



Replacement Screw Kits

Replacement screw kits are available:

SRSNYSREWKIT

- Contains:
- 5 - #28863 (.45 x 11mm)
 - 5 - #28864 (.50 x 11mm)
 - 5 - #28869 (shortest)*

* For Housing

SRUNISREWKIT

(also for SRSUPER adapter)

- Contains:
- 3 - #28862 (.50 x 20.5mm)
 - 5 - #28864 (.50 x 11mm)
 - 3 - #28869 (shortest)*

* For Housing

UniSlot® is a trademark of Ikegami Tsushinki Co., Ltd.
 Ikegami® is a registered trademark of Ikegami Tsushinki Co., Ltd.
 Panasonic® is a registered trademark of Matsushita Electric Industrial Co., Ltd.
 Sony® is a registered trademark of Sony Kabushiki Kaisha TA Sony Corporation.

Declaration of Conformity

LECTROSONICS, INC.
581 Laser Road
Rio Rancho, NM 87124 USA

Declare under our sole responsibility that the following product:

SRHARNESS Power/Audio Adapter for SR Receivers

to which this Declaration relates,

is in conformity with Directive 2011/65/EU of the European Parliament and of the Council of 8 June 2011 (RoHS Recast).



Robert Cummings
V.P. Engineering
Lectrosonics, Inc.

19 March 2013

Declaration of Conformity

LECTROSONICS, INC.
581 Laser Road
Rio Rancho, NM 87124 USA

Declare under our sole responsibility that the following product:

SRUNI Camera Slot Mounting Adapter

to which this Declaration relates,

is in conformity with Directive 2011/65/EU of the European Parliament and of the Council of 8 June 2011 (RoHS Recast).



Robert Cummings
V.P. Engineering
Lectrosonics, Inc.

19 March 2013

Declaration of Conformity

LECTROSONICS, INC.
581 Laser Road
Rio Rancho, NM 87124 USA

Declare under our sole responsibility that the following product:

SRSNY Camera Slot Mounting Adapter

to which this Declaration relates,

is in conformity with Directive 2011/65/EU of the European Parliament and of the Council of 8 June 2011 (RoHS Recast).



Robert Cummings
V.P. Engineering
Lectrosonics, Inc.

19 March 2013

Declaration of Conformity

LECTROSONICS, INC.
581 Laser Road
Rio Rancho, NM 87124 USA

Declare under our sole responsibility that the following product:

SREXT Power/Audio Adapter for SR Receivers

to which this Declaration relates,

is in conformity with Directive 2011/65/EU of the European Parliament and of the Council of 8 June 2011 (RoHS Recast).



Robert Cummings
V.P. Engineering
Lectrosonics, Inc.

19 March 2013

