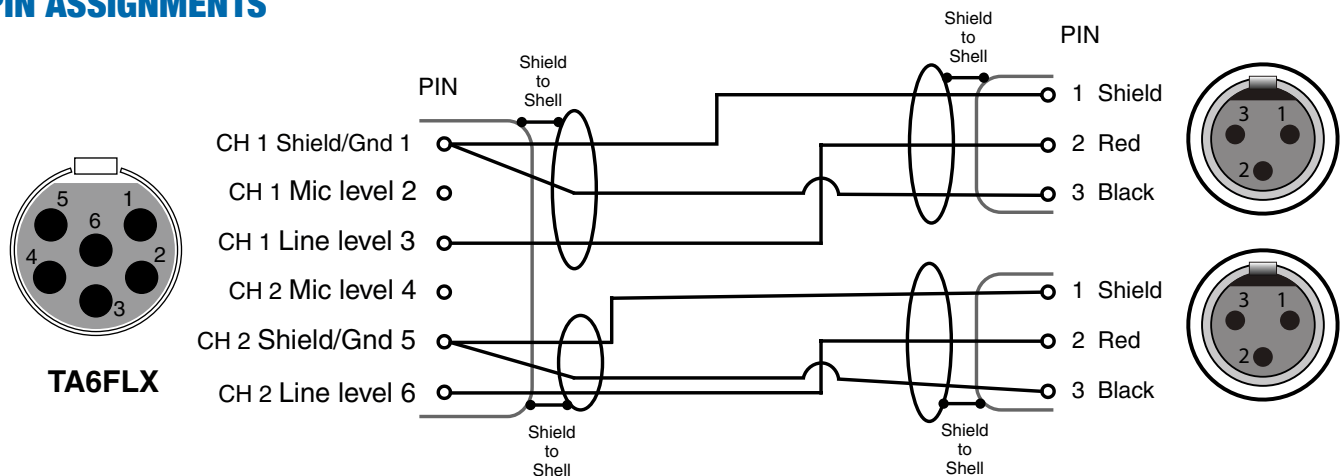


TA3F (2) To TA6FLX Line Level Adapter Cable



PIN ASSIGNMENTS



This cable is typically used to connect the output of a mixer or receiver with TA3M connectors to the line level input of a Lectrosonics transmitter with a TA6 connector. A common application is in a portable production bag system to connect the Lectrosonics Digital Camera Hop Transmitter.

- Connectors: • 6-pin TA6F female
• 3-pin TA3F female (2)
- Cable: Shielded, 2.7 mm OD
- Length: 18 inches

