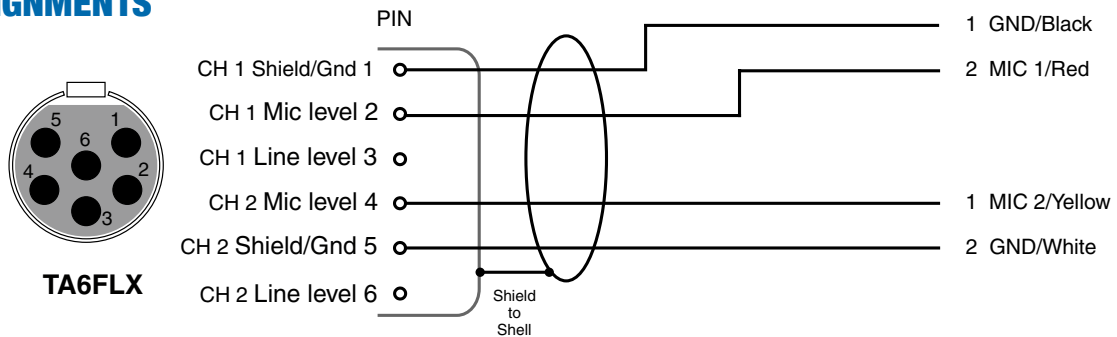


### TA6FLX Mic Level Adapter Cable



#### PIN ASSIGNMENTS



This cable is used to connect the input of the Lectrosonics DCHT Digital Camera Hop Transmitter. It is constructed with a TA6FLX jack, ultra-flexible cable and 2 stripped, tinned leads.

- Connector: 6-pin TA6F female
- Cable: Shielded, 2.7 mm OD
- Length: 18 inches

