



GENERAL INFORMATION

The Response Show Control Gateways are a family of reliable, portable devices that let your Eos family console communicate with MIDI, SMPTE or Serial devices.

The **Response MIDI Gateway** can send and receive info in all flavors of MIDI: Note, Show Control (MSC), and Time Code (MTC). The Gateway also translates MIDI to and from UDP for ultimate integration with ETC and third-party products. **The Response SMPTE Gateway** brings SMPTE LTC timecode signal to your Eos-family console reliably to make sure everything stays on track. **The Response Serial Gateway** ensures reliable bi-directional RS-232 data communication for system integration

APPLICATIONS

- Houses of worship
- High schools
- Community theaters
- Academic theaters
- Touring
- Tech table
- System integration
- Ideal for venues and applications with portable show control

FEATURES

- MIDI:
 - Supports Note, Show Control (MSC), and Time Code (MTC)
- SMPTE:
 - Supports SMPTE LTC
 - 3.5 mm (1/8 in) headphone jack adapter to XLR converter included with Backpack Style units
- Serial:
 - Supports bi-directional RS-232
- Supports ACN or UDP for network communication
- Onboard configuration using four-button interface.
- Power and network status indicators
- Power over Ethernet (PoE) or USB power
- Compatible with Concert software
- Compatible with Eos and ETCnomad software
- Compatible with UpdaterAtoor software

ORDERING INFORMATION

Response Show Control Gateways

MODEL	DESCRIPTION	PART NUMBER
RSN-MIDI-P	Response MIDI Gateway, Backpack Style	4267A1009
RSN-MIDI-RM	Response MIDI Gateway, Rack-Mount Style	4267A1008
RSN-SMPTE-P	Response SMPTE Gateway, Backpack Style	4267A1007
RSN-SMPTE-RM	Response SMPTE Gateway, Rack-Mount Style	4267A1006
RSN-SERIAL-P	Response Serial Gateway, Backpack Style	4267A1011
RSN-SERIAL-RM	Response Serial Gateway, Rack-Mount Style	4267A1013

Response Show Control Accessories

MODEL	DESCRIPTION	PART NUMBER
N3GA-RM	Gateway Rack-Mount Kit	4260K1001
N3GA-HBU	Gateway Hanging-Bracket Kit with U-Bolt	4260K1005

SPECIFICATIONS

FUNCTIONAL - MIDI

- Distributes MIDI over USB or Ethernet
- Supports Standard MIDI over USB device class
- Supports Net3/ACN (ANSI E1.17)
- Supports MIDI over UDP



SPECIFICATIONS

FUNCTIONAL - SMPTE

- Distributes SMPTE over USB or Ethernet
- Supports Net3/ACN (ANSI E1.17)
- Supports SMPTE over UDP

FUNCTIONAL - SERIAL

- Distributes Serial over USB or Ethernet
- Supports Net3/ACN (ANSI E1.17)
- Supports Serial over UDP
- Supports standard USB Serial Port Emulation Class

MECHANICAL

- Finished in fine-textured, powder-coat paint with matching overlay
- SMPTE - 3-pin Female XLR Connector
- MIDI - In/Out/Thru ports
- Serial - 9 Pin D-sub Connector
- RJ45 Port for connection to lighting network
 - Configurable on rack-mount units
- Type B USB female connection

- Intuitive four-button interface
- Onboard display for identification, status and configuration
- Status and activity indicators
 - Blue power indicator
 - Green network activity indicator
 - Red USB activity indicator

ELECTRICAL

- 5 V USB power
- RJ45 connector compliant with IEEE 802.3i for 10BASE-T, 802.3u for 100BASE-TX and 802.3af for Power over Ethernet

THERMAL

- Ambient temperature: 0°–40° C (32°–104° F)
- Ambient humidity: 5–95% non-condensing

REGULATORY AND COMPLIANCE

- cETLus Listed
- CE compliant
- RoHS compliant
- WEEE

PHYSICAL - BACKPACK STYLE

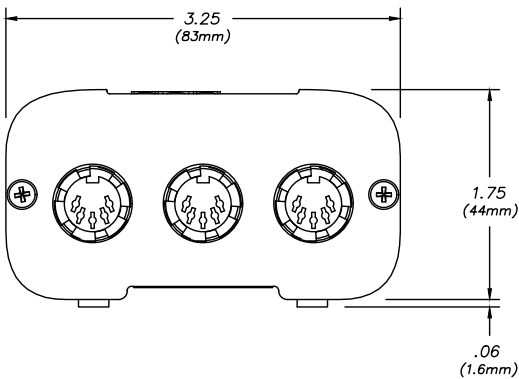
Response Show Control Gateway Dimensions

MODEL	HEIGHT		WIDTH		DEPTH	
	in	mm	in	mm	in	mm
RSN-MIDI-P	1.75	44	4.20	107	3.25	83
RSN-SMPTE-P	1.75	44	4.20	107	3.25	83
RSN-SERIAL-P	1.75	44	4.20	107	3.25	83

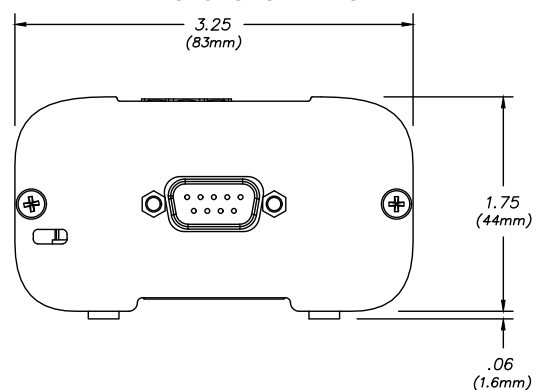
Show Control Gateway Weights

MODEL	WEIGHT		SHIPPING WEIGHT	
	lb	kg	lb	kg
RSN-MIDI-P	0.50	0.22	0.75	0.34
RSN-SMPTE-P	0.50	0.22	0.75	0.34
RSN-SERIAL-P	0.50	0.22	0.75	0.34

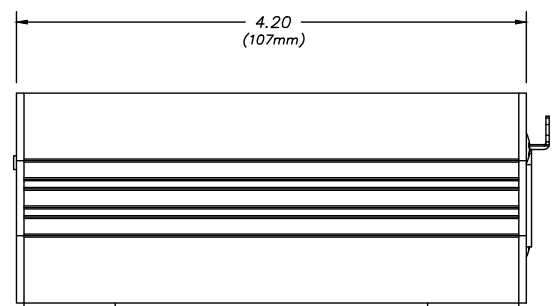
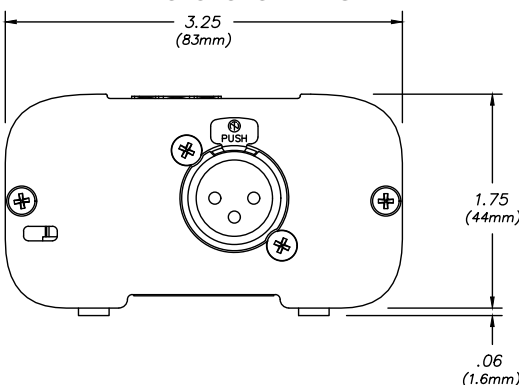
RESPONSE MIDI GATEWAY



RESPONSE SERIAL GATEWAY



RESPONSE SMPTE GATEWAY



PHYSICAL - RACK-MOUNT STYLE

Response Show Control Gateway Dimensions

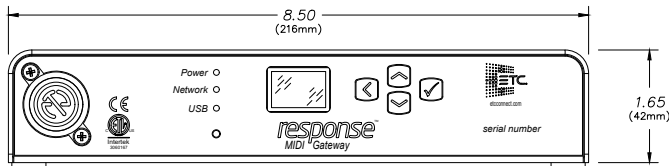
MODEL	HEIGHT		WIDTH		DEPTH	
	in	mm	in	mm	in	mm
RSN-MIDI-RM	1.65	42	8.50	216	7.50	191
RSN-SMPTE-RM	1.65	42	8.50	216	7.50	191
RSN-SERIAL-RM	1.65	42	8.50	216	7.50	191

Show Control Gateway Weights

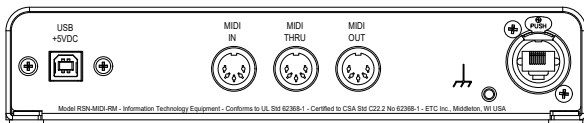
MODEL	WEIGHT		SHIPPING WEIGHT	
	lb	kg	lb	kg
RSN-MIDI-RM	1.75	0.79	3.5	1.59
RSN-SMPTE-RM	1.75	0.79	3.5	1.59
RSN-SERIAL-RM	1.75	0.79	3.5	1.59

RESPONSE MIDI GATEWAY

FRONT VIEW

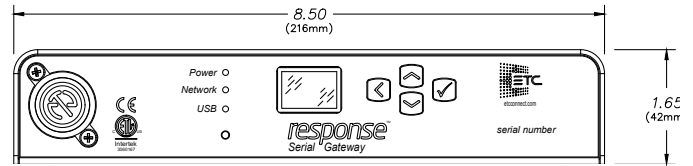


REAR VIEW

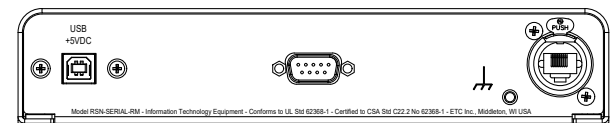


RESPONSE SERIAL GATEWAY

FRONT VIEW

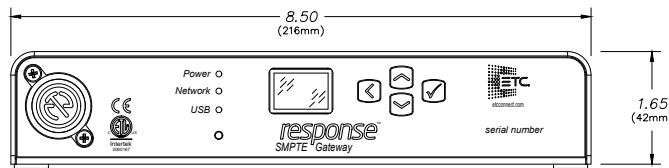


REAR VIEW

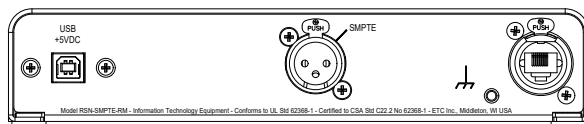


RESPONSE SMPTE GATEWAY

FRONT VIEW

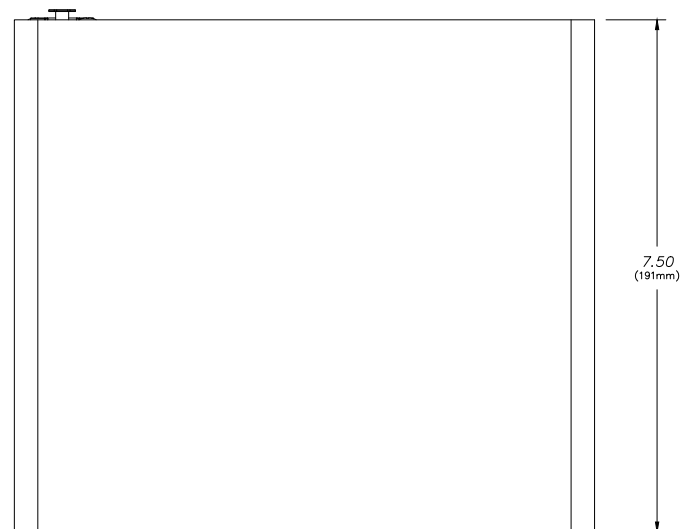


REAR VIEW



ALL GATEWAYS

TOP VIEW



Corporate Headquarters • Middleton, WI USA

Global Offices • London, UK • Rome, IT • Holzkirchen, DE • Paris, FR • Hong Kong • Dubai, UAE • Singapore • New York, NY • Orlando, FL • Los Angeles, CA

Copyright©2020 ETC. All Rights Reserved. All product information and specifications subject to change. Rev D 02/20

Trademark and patent info: etconnect.com/IP

etconnect.com