

Install

ATHENS

TCS62-R-WH

Arrayable 2 Way 6.5" Full Range
Loudspeaker for Installation Applications
(Weather Resistant, White)



- Arrayable 2 way full range loudspeaker for installation applications
- 175 Watts continuous, 700 Watts peak power
- All components weather resistant to IP54 for outdoor use
- Carbon fibre loaded 6.5" low frequency driver with low mass coil for improved transient response
- Aluminium dome 1" neodymium motor compression driver
- Rotatable converging elliptical waveguide provides 100° H x 60° V dispersion
- Multiple array configurations for extended coverage
- Trapezoidal cabinet shape enables visually unobtrusive loudspeaker arrays
- Multiple internal rigging points allow bracket mount and suspension in any orientation
- 12 mm (½") birch plywood enclosure with hard wearing semi matt white paint finish
- Architecturally styled powder coated perforated plated steel mesh grille with foam backing
- Captive cable tail with sealed cable gland on aluminium connector panel
- 10-Year Warranty Program*
- Designed and engineered in the U.K.

Weather resistant for outdoor use to IP54, the 700 Watt TCS62-R-WH arrayable two-way 6.5" loudspeaker system is ideally suited for a wide range of speech and music sound reinforcement applications. The TCS62-R-WH is designed to work in conjunction with **TURBOSOUND** loudspeaker management systems, providing optimal FOH performance, as well as offering considerable flexibility to readily adapt to varying venue requirements.



The TCS62-R-WH features a carbon fibre loaded 6.5" low frequency driver with low mass coil for improved transient response. The aluminium dome 1" neodymium motor compression driver is mounted on a rotatable 100° horizontal by 60° vertical converging elliptical waveguide. When the waveguide is rotated 90° from the standard position a 60° horizontal by 100° vertical dispersion is achieved, making the TCS62-R-WH ideal for an even broader range of applications.

Finished in a highly durable weather resistant semi matt white paint, the trapezoidal cabinet is constructed from 12 mm (½") birch plywood – and includes a rugged outdoor powder coated perforated zinc plated steel mesh grille. Multiple rigging points allow bracket mount suspension in any orientation, or mounting with dedicated brackets – available separately. Connectivity is provided in the form of a captive cable tail, which enters the cabinet by means of a sealed cable gland on an aluminium panel.

Install

ATHENS

TCS62-R-WH

Arrayable 2 Way 6.5" Full Range
Loudspeaker for Installation Applications
(Weather Resistant, White)



You Are Covered

We always strive to provide the best possible Customer Experience. Our products are made in our own [MUSIC Tribe](#) factory using state-of-the-art automation, enhanced production workflows and quality assurance labs with the most sophisticated test equipment available in the world. As a result, we have one of the lowest product failure rates in the industry, and we confidently back it up with a generous [Warranty program](#).

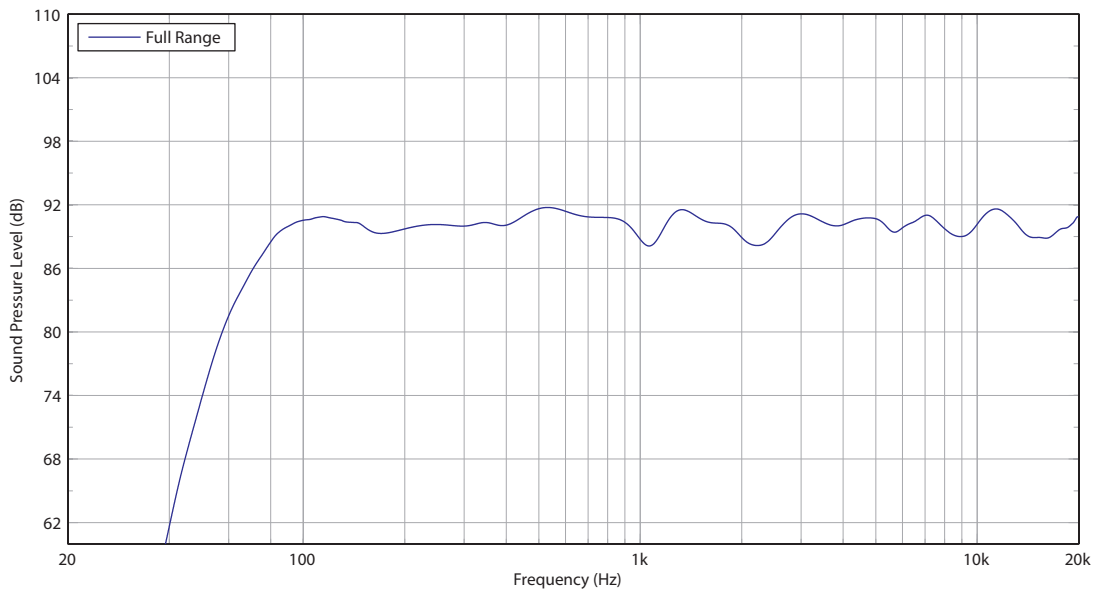
Install

ATHENS

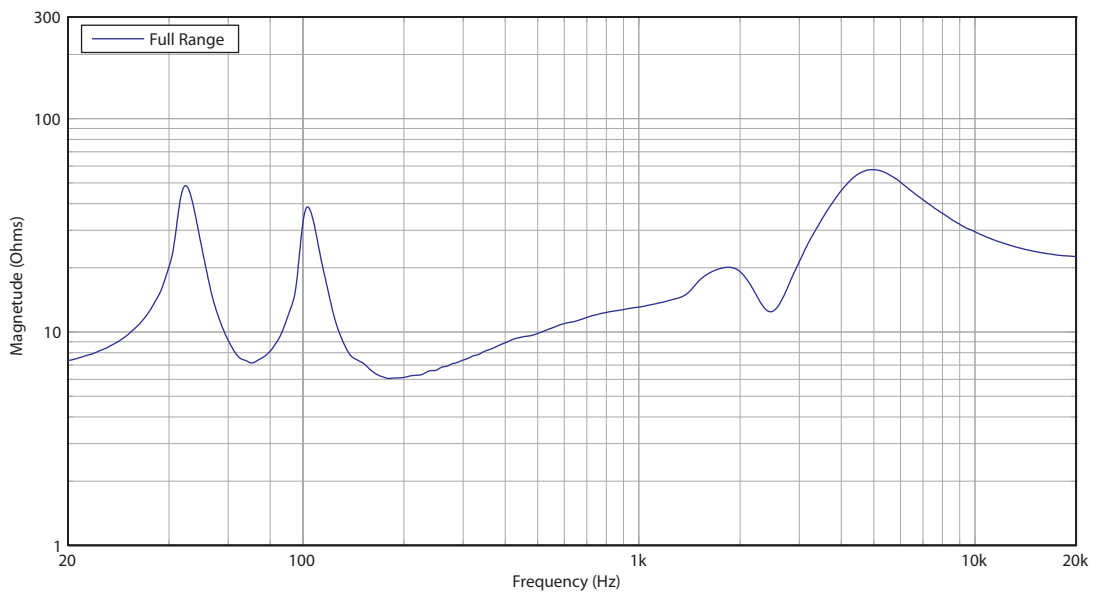
TCS62-R-WH

Arrayable 2 Way 6.5" Full Range
Loudspeaker for Installation Applications
(Weather Resistant, White)

Frequency Response Sensitivity 1 W / 1 m



Impedance



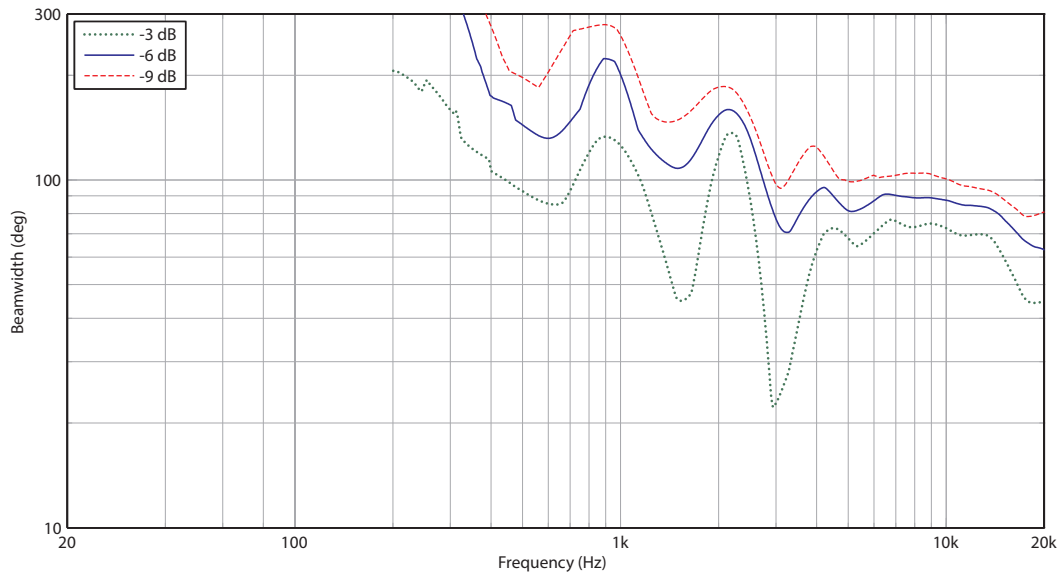
Install

ATHENS

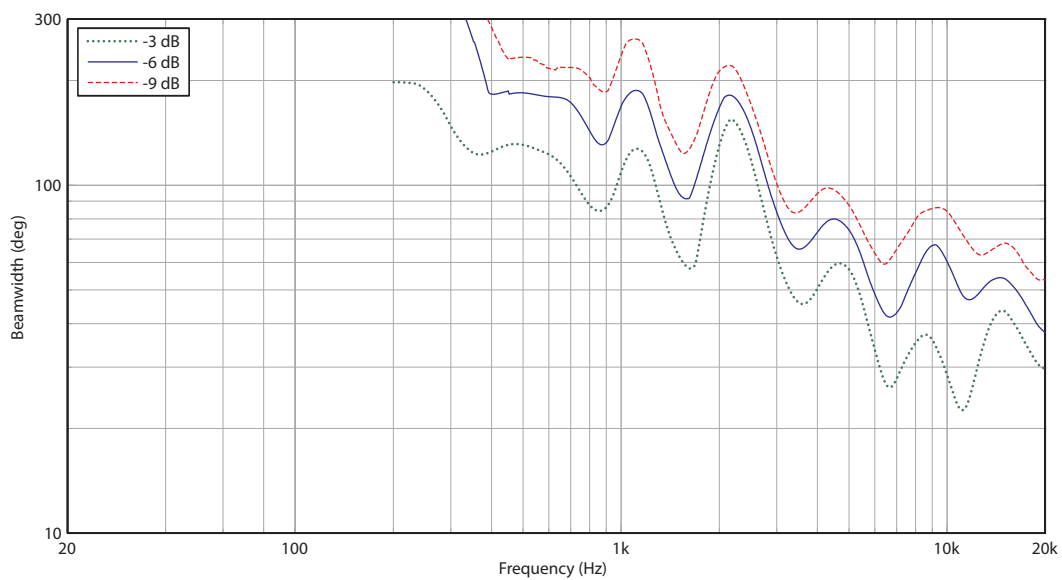
TCS62-R-WH

Arrayable 2 Way 6.5" Full Range
Loudspeaker for Installation Applications
(Weather Resistant, White)

Horizontal Beamwidth



Vertical Beamwidth



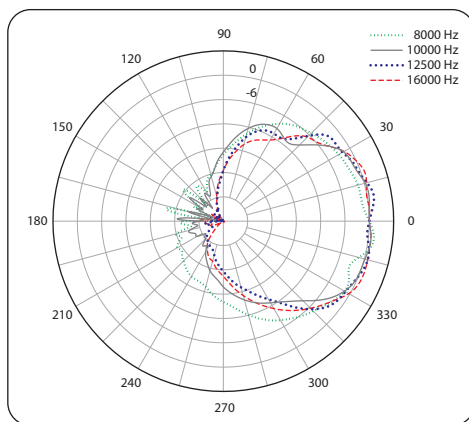
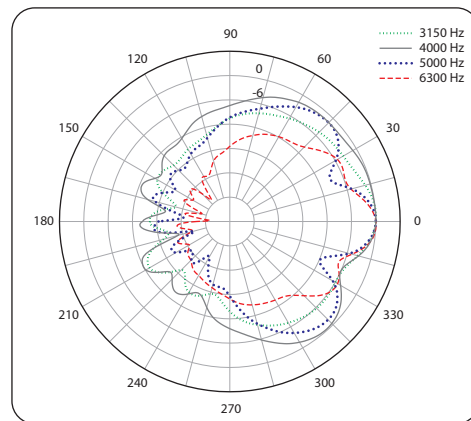
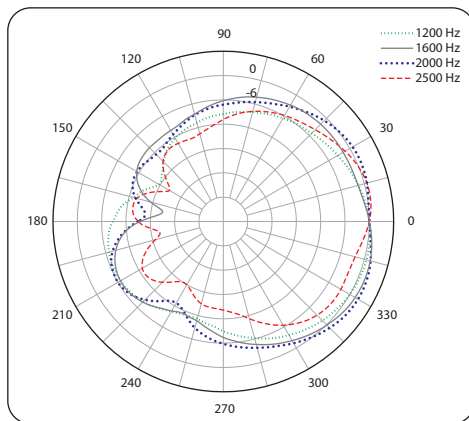
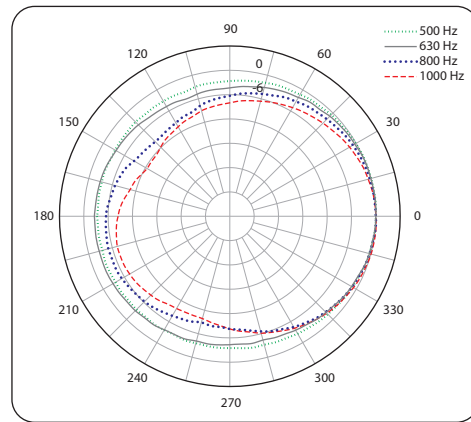
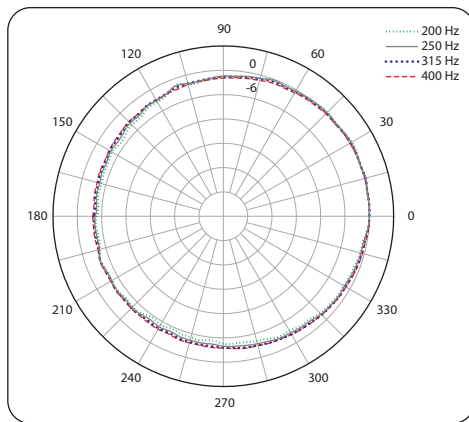
Install

ATHENS

TCS62-R-WH

Arrayable 2 Way 6.5" Full Range
Loudspeaker for Installation Applications
(Weather Resistant, White)

Horizontal Polar Plots



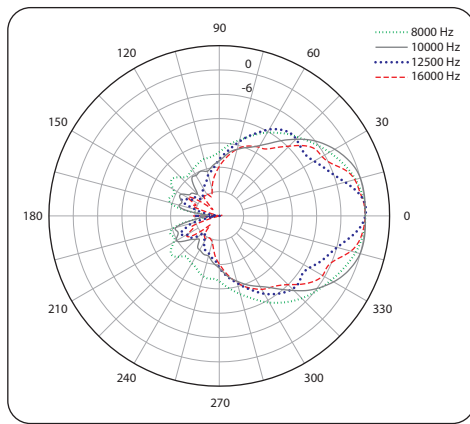
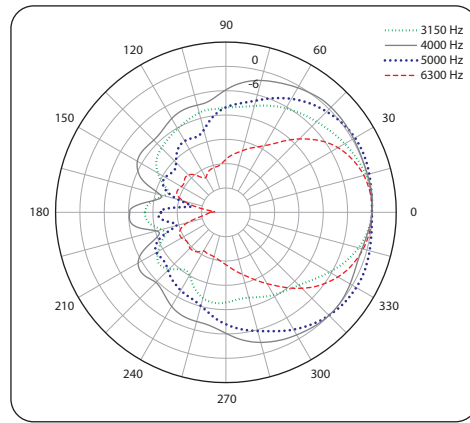
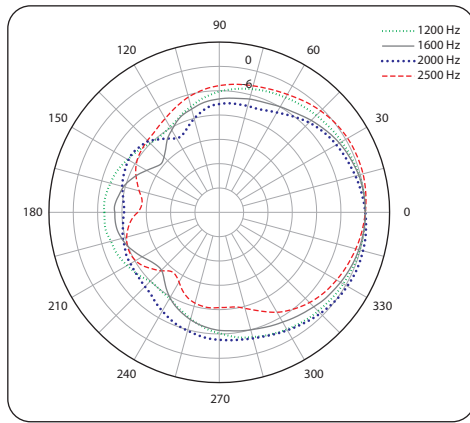
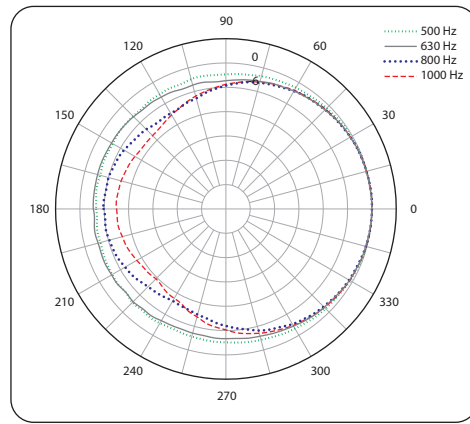
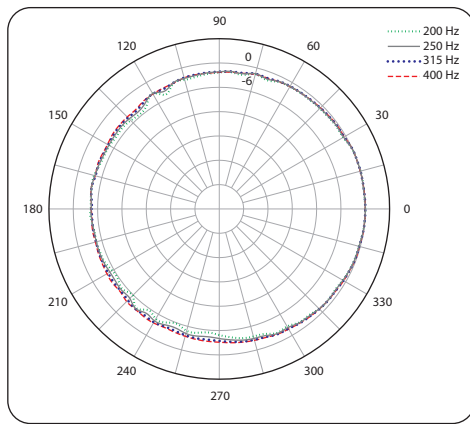
Install

ATHENS

TCS62-R-WH

Arrayable 2 Way 6.5" Full Range
Loudspeaker for Installation Applications
(Weather Resistant, White)

Vertical Polar Plots



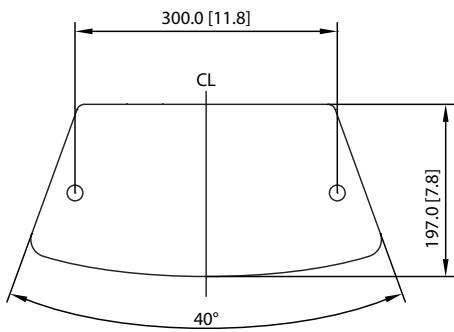
Install

ATHENS

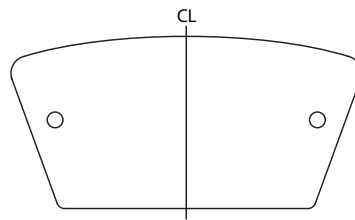
TCS62-R-WH

Arrayable 2 Way 6.5" Full Range
Loudspeaker for Installation Applications
(Weather Resistant, White)

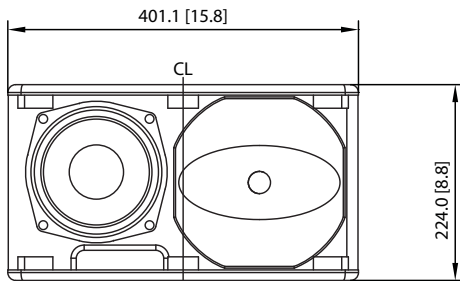
Dimensions



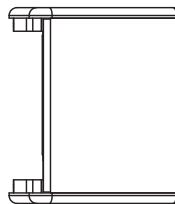
TOP



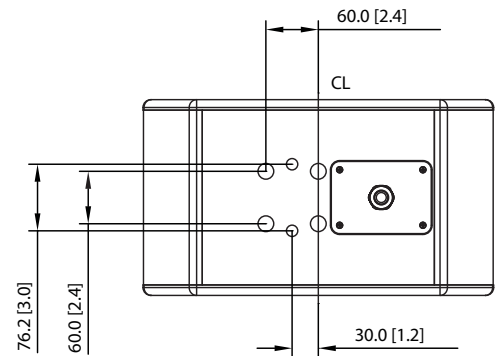
BOTTOM



FRONT



SIDE



BACK

Install

ATHENS

TCS62-R-WH

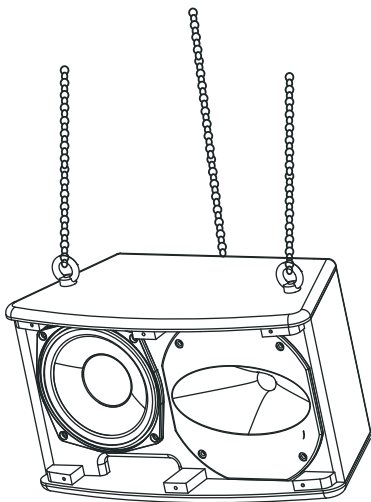
Arrayable 2 Way 6.5" Full Range
Loudspeaker for Installation Applications
(Weather Resistant, White)

Mounting and Rigging

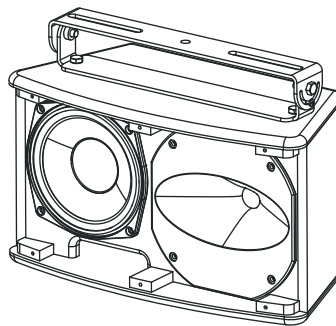
The cabinet is fitted with M8 x 8 and M6 x 2 internally-threaded rigging points that allow it to be rigged with optional shoulder eyebolts and mounted in many different configurations in permanent installations. The simplest method of rigging is to use the two M8 rigging points on the top, and a single pull-back rigging point in the centre of the rear panel. Adjustment of the length of the rear cable allows the cabinet to be angled for optimum room coverage. Cabinets may also be hung upside down if required.

The TCS62 cabinet is compatible with industry standard wall and ceiling brackets which use 60 mm x 60 mm hole spacing.

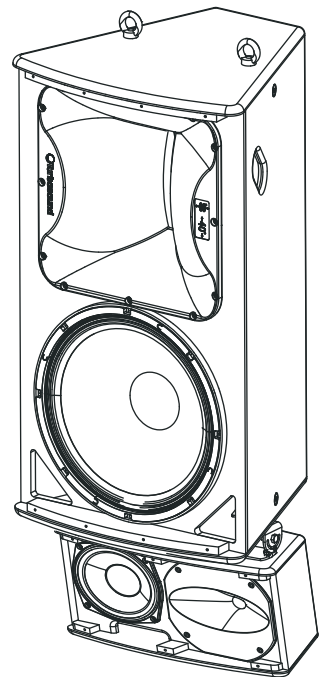
The optional TCS62-SB swivel bracket allows the cabinet to be wall or ceiling mounted, or attached to the bottom of a TCS122 or TCS152 cabinet for downfill applications.



Suspension using M8 shoulder eyebolts on top and one at the rear.



TCS62-SB swivel bracket for wall or ceiling mounting



Downfill application using TCS62-SB bracket bolted beneath TCS122 or TCS152.

Install

ATHENS

TCS62-R-WH

Arrayable 2 Way 6.5" Full Range
Loudspeaker for Installation Applications
(Weather Resistant, White)

Technical Specifications

System

Frequency response	60 Hz - 20 kHz \pm 3 dB 50 Hz - 20 kHz -10 dB
Nominal dispersion	100° H x 60° V @ -6dB points, rotatable
Directivity factor (Q)	12.8
Directivity index (DI)	11.1
Power handling (IEC)	
Passive	175 W continuous, 700 W peak
Sensitivity	90 dB (1 W @ 1 m)
Maximum SPL	
Passive	112.5 dB continuous, 118.5 dB peak
Impedance	
Passive	8 Ω
Crossover type	Passive
Components	1 x 6" (162 mm) LF driver 1 x 1" (25 mm) HF compression driver

Enclosure

Connectors	2-core captive cable tail
Wiring	
Passive	Red/Blue input + / -
Dimensions (HWD)	224 x 402 x 198 mm (18.8 x 15.8 x 7.8")
Net weight	7.3 kg (16.1 lbs)
Construction	12 mm (1/2") birch plywood
Finish	Semi matt white paint
Grille	Powder-coated perforated steel
Flying hardware	M8 X 8, M6 X 2 Points

Accessories

TCS62-SB (WH) swivel bracket for TCS62
--

Install

ATHENS

TCS62-R-WH

Arrayable 2 Way 6.5" Full Range
Loudspeaker for Installation Applications
(Weather Resistant, White)

Architecture & Engineering Specifications

The loudspeaker shall be of the full range, two-way, passive type, consisting of one 6" (162 mm) LF driver and one 1" (25 mm) HF compression driver. The loudspeaker shall be weather resistant for outdoor use, to rating standard IP54. Performance specifications of a typical production unit shall meet or exceed the following: frequency response, measured with swept sine wave input, shall be flat within ± 3 dB from 60 Hz to 20 kHz and within -10 dB from 50 Hz to 20 kHz. Nominal dispersion, at -6 dB points, shall average 100° H x 60° V, rotatable. Nominal impedance shall be 8 Ohms. Power handling shall be 175 Watts continuous, 700 Watts peak. Sensitivity, measured on axis, mean averaged over stated bandwidth, shall be 90 dB, 1 Watt @ 1 metre. Maximum SPL (peak), measured at 1 metre with music program at stated amplifier input, shall be 118.5 dB. Dimensions: 224 mm high x 402 mm wide x 198 mm deep (8.8" x 15.8" x 7.8"). Net weight: 7.3 kg (16.1 lbs). The loudspeaker system shall be the **TURBOSOUND** TCS62-R-WH. No other loudspeaker shall be acceptable unless submitted data from an independent test laboratory verifies that the above combined performance / size specifications are equaled or exceeded.

Install

ATHENS

TCS62-R-WH

Arrayable 2 Way 6.5" Full Range
Loudspeaker for Installation Applications
(Weather Resistant, White)



Install

ATHENS

TCS62-R-WH

Arrayable 2 Way 6.5" Full Range
Loudspeaker for Installation Applications
(Weather Resistant, White)



Install

ATHENS

TCS62-R-WH

Arrayable 2 Way 6.5" Full Range
Loudspeaker for Installation Applications
(Weather Resistant, White)



CAUTION
SUSPENDING THIS SYSTEM SHOULD ONLY
BE DONE BY QUALIFIED PERSONS
FOLLOWING SAFE RIGGING STANDARDS

MADE IN CHINA
CE UL ETL

TCS62-R	
WIRING	PASSIVE
RED	+ INPUT 8 Ω
BLUE	- INPUT 8 Ω

ATHENS

 **Turbosound**
DESIGNED AND ENGINEERED IN ENGLAND

DESIGNED AND ENGINEERED IN ENGLAND
 **Turbosound**



For service, support or more information contact the TURBOSOUND location nearest you:

Europe
MUSIC Tribe Brands UK Ltd.
Tel: +44156 273 2290
Email: CARECrea@music-group.com
CAREnte@music-group.com
CARELife@music-group.com

USA/Canada
MUSIC Tribe Commercial NV Inc.
Tel: +1 702 800 8290
Email: CARECrea@music-group.com
CAREnte@music-group.com
CARELife@music-group.com

Japan
MUSIC Tribe Services JP K.K.
Tel: +81 3 6231 0453
Email: CARECrea@music-group.com
CAREnte@music-group.com
CARELife@music-group.com

MUSIC Tribe accepts no liability for any loss which may be suffered by any person who relies either wholly or in part upon any description, photograph, or statement contained herein. Technical specifications, appearances and other information are subject to change without notice. All trademarks are the property of their respective owners. MIDAS, KLARK TEKNIK, LAB GRUPPEN, LAKE, TANNØY, TURBOSOUND, TC ELECTRONIC, TC HELICON, BEHRINGER, BUGERA and COOLAUDIO are trademarks or registered trademarks of MUSIC Group IP Ltd. © MUSIC Group IP Ltd. 2018 All rights reserved.

