

GENERAL INFORMATION

A member of ETC’s Unison Echo family of lighting-control and power-control products, the Echo Station Power Supply provides EchoConnect power for stations, responsive controls and power controllers. Echo Station Power Supplies are designed for use with distributed Echo Control Systems, Unison DRd Power Enclosures with Echo control, Echo Relay Panels and Sensor3 Power Control Systems.

APPLICATIONS

- Houses of worship
- Education
- Hospitality
- Healthcare facilities
- Office buildings
- Conference rooms
- Meeting rooms
- Retail

FEATURES

- Designed for use with any EchoConnect-enabled station, responsive controls or Echo power controllers
- EchoConnect: Two-wire, topology-free system gives you the freedom to put stations where you need them
- Multiple form factors and mounting options available
- Plug and play: ready to go out of the box with no software or programming required

SYSTEM LIMITATIONS

- Up to 1,640 ft (500 m) of control wiring
- DRd and DIN Rail Mount:
 - Up to 16 stations and responsive controls
 - Up to 16 power controllers or panels
- Echo Station Power Supply
 - Up to six stations and responsive controls
 - Up to six power controllers or panels

REGULATORY AND COMPLIANCE

- cULus LISTED
- CE Certified (Except E-SPS and E-APS)

ORDERING INFORMATION

EchoConnect Power Supplies

MODEL	DESCRIPTION
E-SPS	Echo Station Power Supply, Knockout Mount
E-SPS-DIN	DIN Rail Mount Station Power Supply with 24 V Aux
E-SPM-A	DRd Station Power Module with 24 V Aux
E-APS	24 V Aux Power Supply, Knockout Mount

EchoConnect Power Supply Accessories

MODEL	DESCRIPTION
E-SPS-DIN KIT	E-SPS-DIN in a DIN8 Enclosure
E-C5T-ST	Category-5 Station Wiring Kit
E-C5T-WM	Category-5 Wiring Termination Box



ECHOCONNECT INFORMATION

E-SPS EchoConnect Power Supply

EchoConnect:	Provides 6U of control power and and 6U of Output Power
Auxiliary Power:	Not provided

E-SPS-DIN EchoConnect Power Supply

EchoConnect:	Provides 16U of control power and 16U of Output Power
Auxiliary Power:	Provides 1500 mA

E-SPM-A EchoConnect Power Supply

EchoConnect:	Provides 16U of control power and 16U of Output Power
Auxiliary Power:	Provides 1500 mA

APS Auxiliary Power Supply

EchoConnect:	Not Provided
Auxiliary Power:	Provides 160 mA

SPECIFICATIONS

FUNCTIONAL

- Provides EchoConnect power for up to 6 or 16 stations or Responsive Controls and 6 or 16 power controllers or panels
- Supports 1640 ft (500 m) of control wiring

MECHANICAL

- Echo Station/Auxiliary Power Supply
 - Mounts using half-inch conduit knockout
 - Constructed of injection-molded ABS plastic
- DRd Station Power Module:
 - 18-gauge formed steel construction
 - Fine-texture, scratch-resistant, epoxy paint
 - Convection cooled
 - Fully contained plug-in module with no discrete wire connections
 - Front panel status indicators
- E-SPS-DIN
 - DIN Rail mounting complies with DIN43880 (35/7.5 rail)

ELECTRICAL

- DRd Enclosure Mount :
 - 100–277 V, 50/60 Hz, two-wire+GND power input
- E-SPS, E-APS and E-SPS-DIN
 - 100–240 V, 50/60 Hz, two-wire+GND power input
- Optional 24 V Aux power options for connected devices
- EchoConnect two-wire control network utilizing low-voltage Class 2 wiring
- Topology-free and polarity-independent wiring over Belden 8471 or equivalent and one #14 ESD drain wire
- Wiring may be bus, loop, homerun or any combination of these
- Up to 1640 ft (500 m) of control wiring per system
- Supports optional Cat5 or better wiring using Belden 1583A or equivalent
 - Requires Cat5 termination accessories
- E-SPS-DIN includes 24 V power supply
- cULus LISTED
- CE Certified (Except E-SPS and E-APS)

THERMAL

- E-SPS, E-APS and E-SPS-DIN:
 - Ambient room temperature: 0°–50° C (32°–122° F)
 - Ambient humidity: 5–95% non-condensing
- DRd Enclosure Mount
 - Ambient room temperature: 0°–40° C (32°–104° F)
 - Ambient humidity: 10–90% non-condensing

ECHO FAMILY OF PRODUCTS

EchoConnect Power Supplies

MODEL	DESCRIPTION
E-SPS	6 U Room Station Power Supply, Knockout Mount
E-SPS-DIN	16 U DIN rail Station Power Supply with 24 V Aux
E-SPM-A	16 U DRd Station Power Module with 24 V Aux
E-APS	24 V Aux Power Supply, Knockout Mount

EchoTouch

MODEL	DESCRIPTION
ETS	EchoTouch Controller Mk2

Echo Stations

MODEL	DESCRIPTION
E1001	Inspire One Button Station
E1002	Inspire Two Button Station
E1004	Inspire Four Button Station
E1006	Inspire Six Button Station
E1008	Inspire Eight Button Station
E1104	Inspire Four Button with Fader Station
EPS05	Echo Preset Station - 5 Button
EPS10	Echo Preset Station - 10 Button
EPSKS	Echo Keyswitch Station
E-ATC	Echo TimeClock

Echo Responsive Controls

MODEL	DESCRIPTION
ELS	Light Sensor
EOCC	Ceiling-Mount PIR Occupancy Sensor
EVAC	Ceiling-Mount PIR Vacancy Sensor
E-DOC-C	Ceiling-Mount Dual Tech Occupancy Sensor
E-DVAC-C	Ceiling-Mount Dual Tech Vacancy Sensor
E-DOC-W	Wall-Mount Dual Tech Occupancy Sensor
E-DVAC-W	Wall-Mount Dual Tech Vacancy Sensor
E-DOC-SM1	Switch-Mount Dual Tech Sensor - One Button
E-DOC-SM2	Switch-Mount Dual Tech Sensor - Two Button

Echo Interfaces

MODEL	DESCRIPTION
EACC	EchoAccess Interface
EEB	Echo Expansion Bridge
EDMXC	Echo DMX Scene Controller
EEl	Echo-Echoflex Interface
ECII	Echo Contact Input Interface
ECOI	Echo Contact Output Interface
EDRI	Echo Demand Response Interface
EBl	Echo BACnet Interface
EII	Echo Integration Interface

Zone Controllers

MODEL	DESCRIPTION
ERC-G2	One Zone Relay Controller
EDRC-G2	Two Zone Relay Controller
ELD-G2	One Zone 0–10 V Controller
EDLD-G2	Two Zone 0–10 V Controller
ESSC-G2	One Zone SmartSpace Controller
EDSSC-G2	Two Zone SmartSpace Controller
ELVD-G2	600-Watt Phase Adaptive Dimmer (120 V)
ELVD-277-G2	600-Watt Phase Adaptive Dimmer (277 V)
ELVD-G2-MLV	600-Watt Forward Phase Dimmer (120 V)
ELVD-277-G2-MLV	600-Watt Forward Phase Dimmer (277 V)

Room Controllers

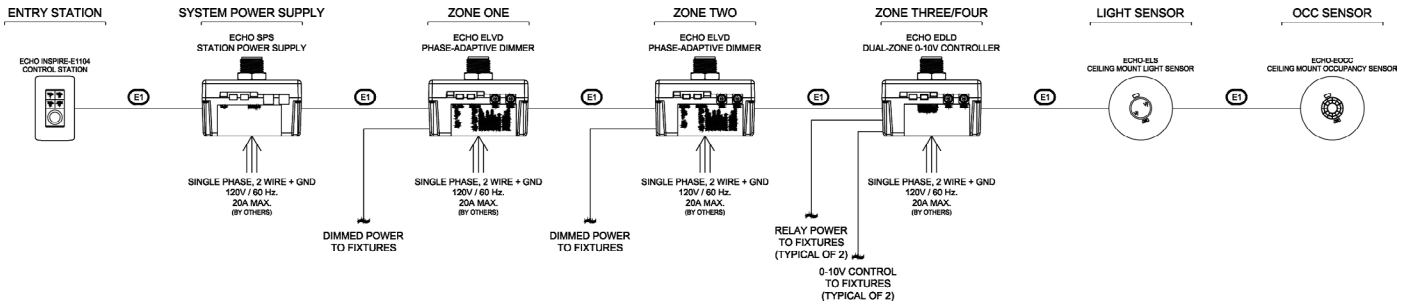
MODEL	DESCRIPTION
ERMCT4-G2	Four Zone Room Controller
ERMCT4-G2	Four Zone Room Controller with TimeClock
ERMCT8-G2	Eight Zone Room Controller
ERMCT8-G2	Eight Zone Room Controller with TimeClock

Panel Products

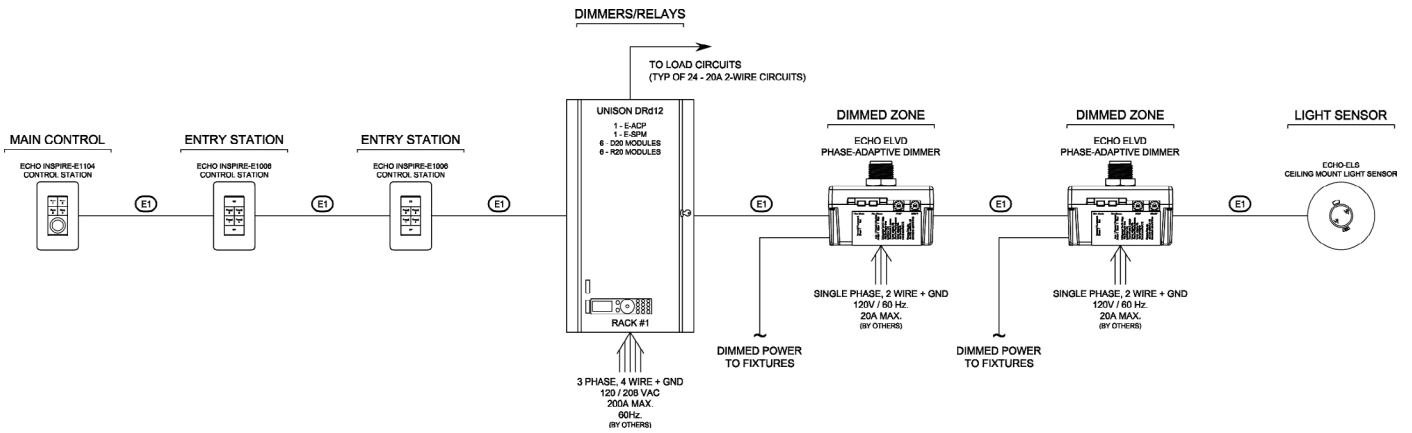
MODEL	DESCRIPTION
ERP	Echo Relay Panel Mains Feed
ERP-FT	Echo Relay Panel Feed Through
SensorIQ	Sensor IQ Intelligent Breaker System
SR3	Sensor3 Power Control System
DRd	Unison DRd with Echo Control

SAMPLE ECHO SYSTEMS

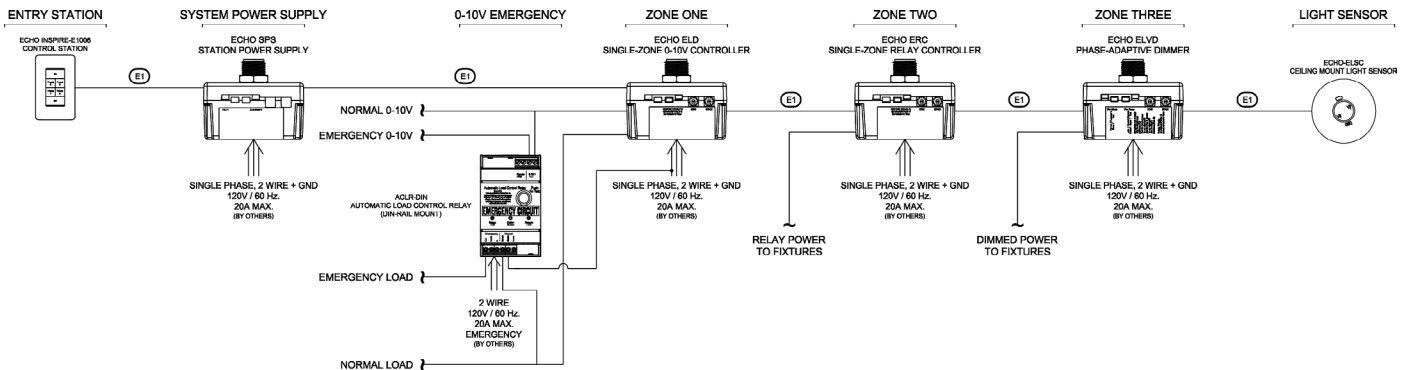
SMALL SYSTEM



MEDIUM SYSTEM

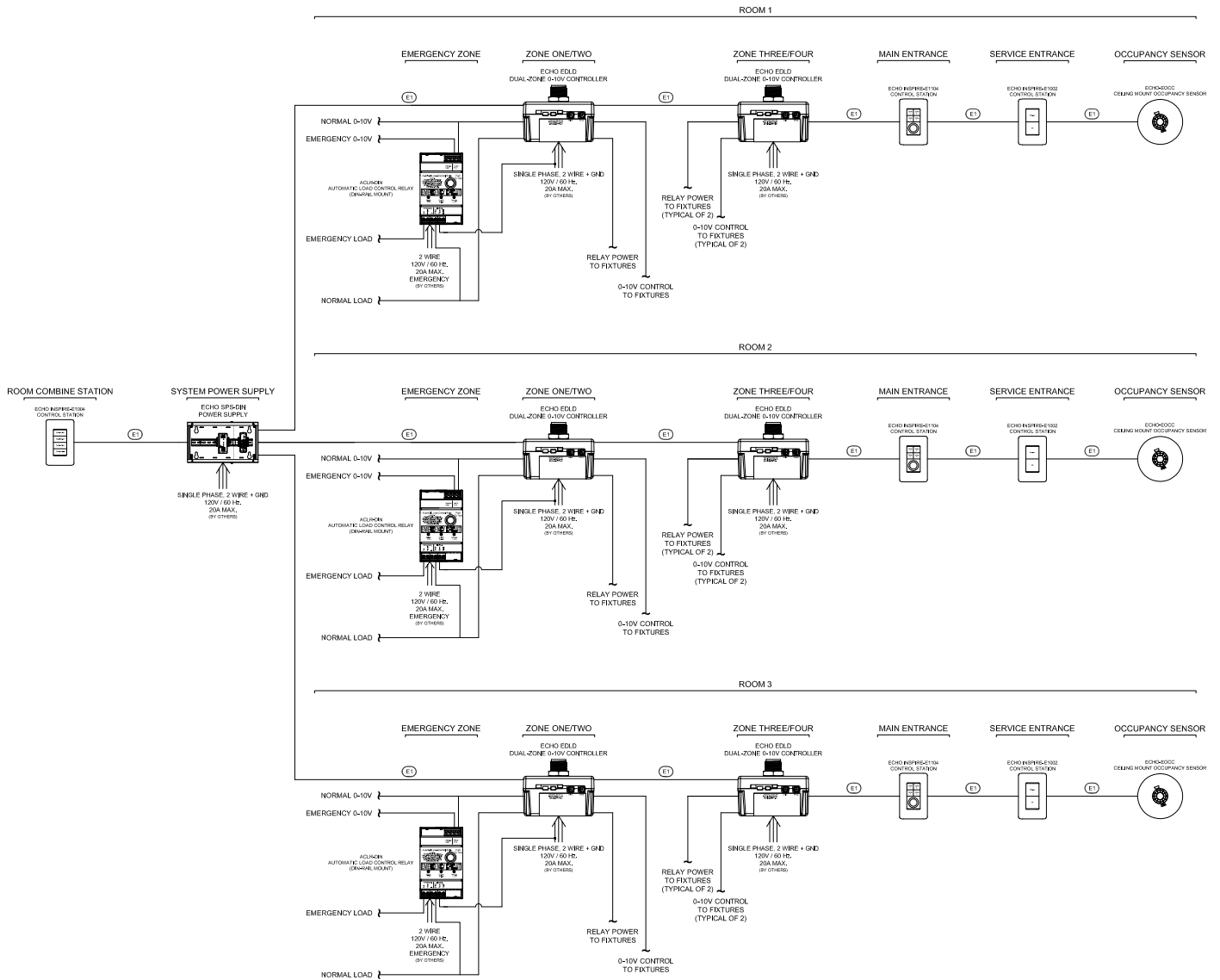


CONFERENCE ROOM



SAMPLE ECHO SYSTEMS

MEDIUM BALLROOM



PHYSICAL

Module Dimensions*

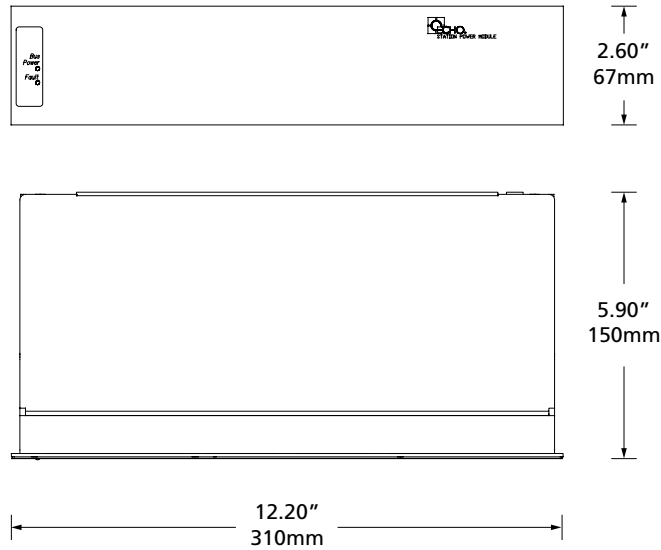
MODEL	HEIGHT		WIDTH		DEPTH	
	in	mm	in	mm	in	mm
E-SPM-A	2.6	67	12.2	310	5.9	150
E-SPS(-APS)	1.97	51	35	89	2.19	56
E-SPS-DIN	4.33	110	2.96	75	3.90	99
E-SPS-DIN KIT	8	203	14	366	5.06	129

Module Weights*

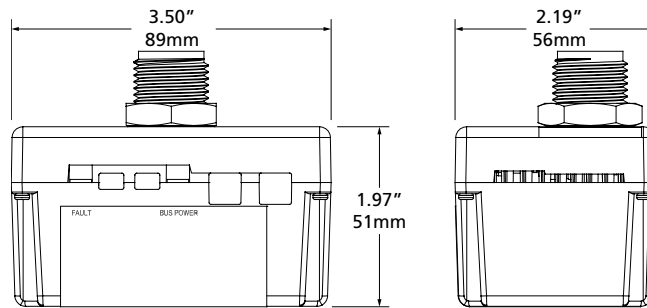
MODEL	WEIGHT		SHIPPING WEIGHT	
	lb	kg	lb	kg
E-SPM-A	4.8	2.18	5.8	2.63
E-SPS(-APS)	1	0.45	1.5	0.68
E-SPS-DIN	1	0.45	1.5	0.68
E-SPS-DIN-KIT	10	4.54	12	5.44

*Weights and dimensions typical

E-SPM-A

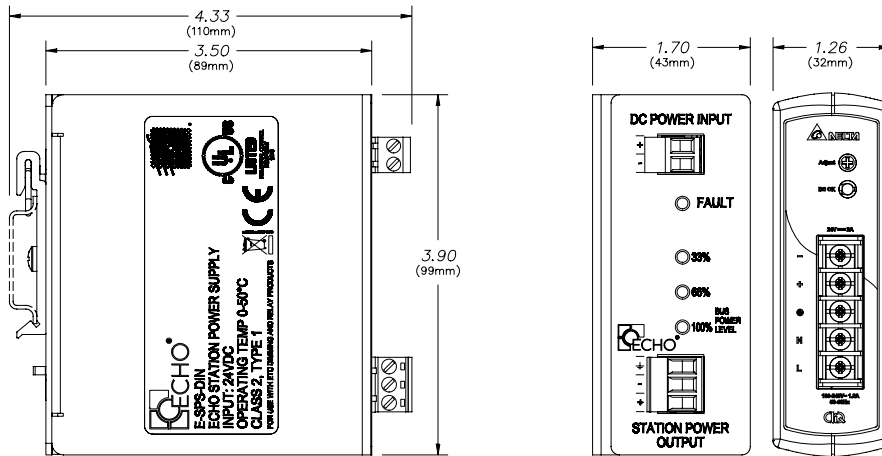


E-SPS / E-APS

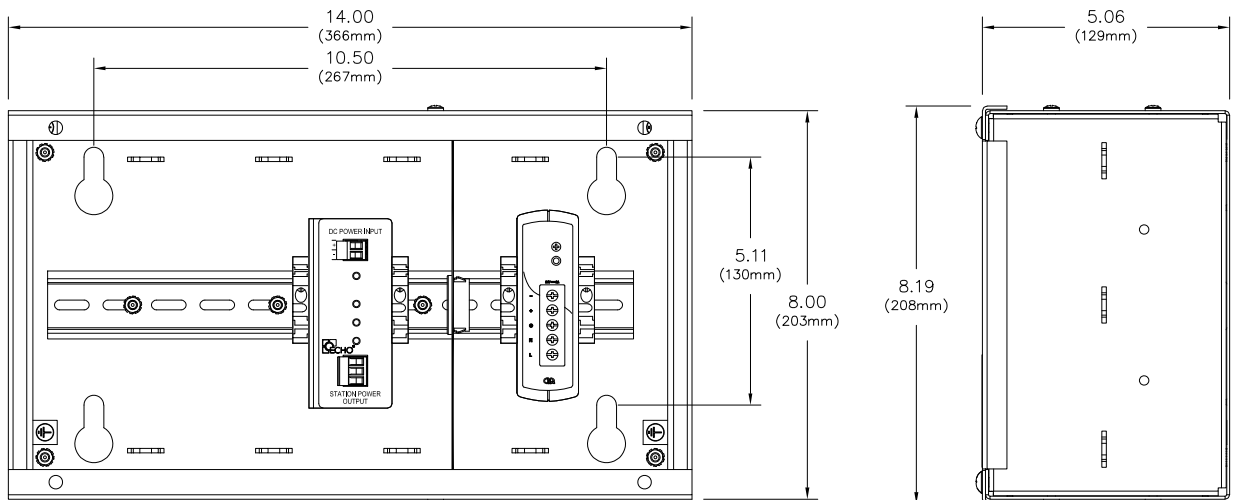


PHYSICAL

ESPS-DIN



ESPS-DIN KIT



Corporate Headquarters • Middleton, WI USA

Global Offices • London, UK • Rome, IT • Holzkirchen, DE • Paris, FR • Hong Kong • Dubai, UAE • Singapore • New York, NY • Orlando, FL • Los Angeles, CA

Copyright©2020 ETC. All Rights Reserved. All product information and specifications subject to change. Rev N 2/20

Trademark and patent info: etconnect.com/IP

etconnect.com