

ETC Setup Guide

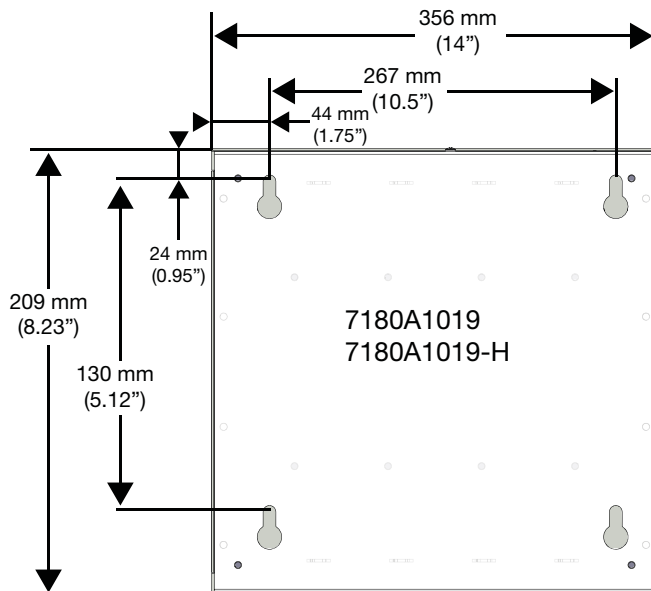
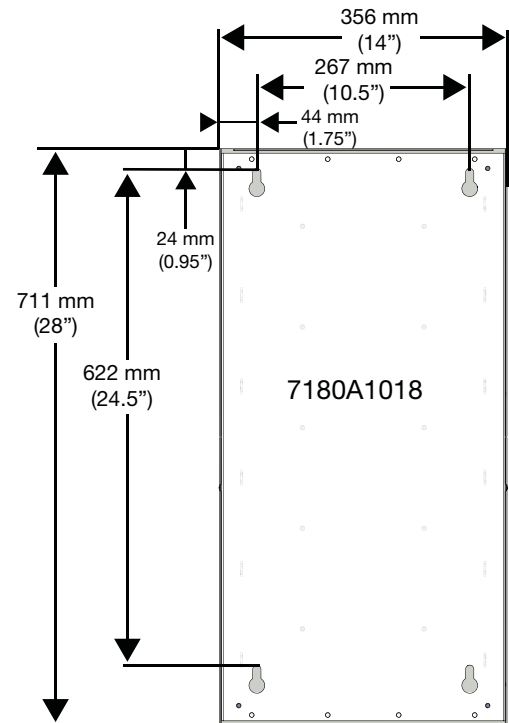
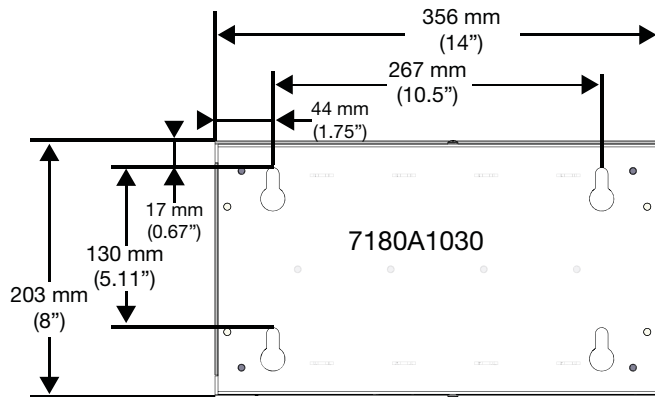
DIN rail Enclosures

Overview

This document covers the installation of the DIN28 - large DIN rail enclosure (ETC Part 7180A1018), DIN14 - small vertical DIN rail enclosure (ETC Part 7180A1019), DIN14-H - small horizontal DIN rail enclosure (ETC Part 7180A1019-H), and the DIN8 - mini DIN rail enclosure (ETC Part 7180A1030).

Installation

- 1: Remove the screws securing the front cover to the enclosure.
- 2: Use the measurements provided below for specifications to assist with installation.



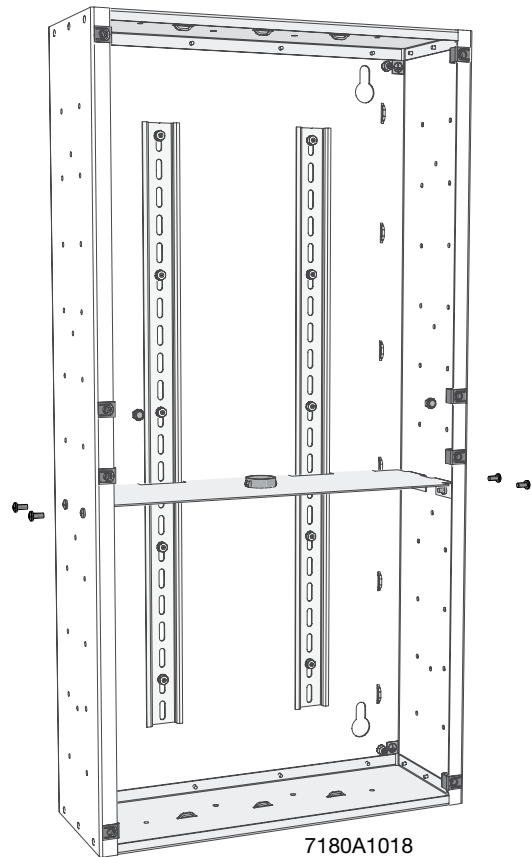
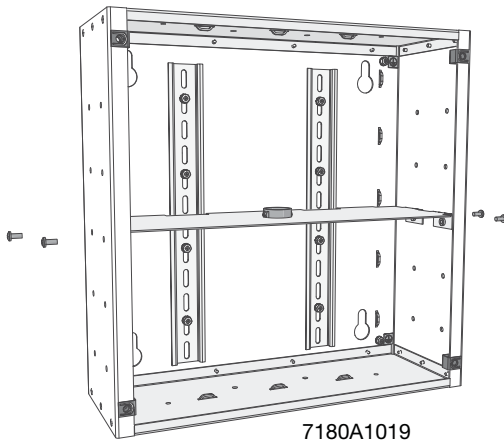
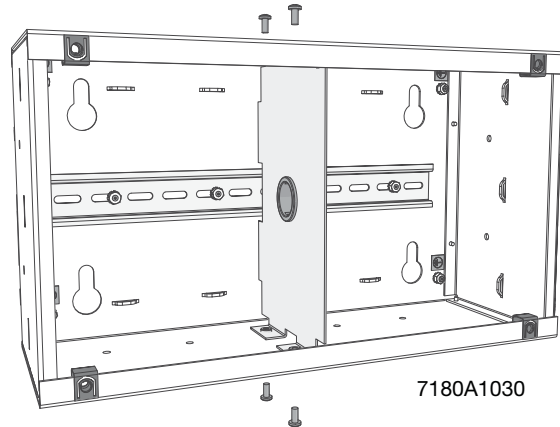
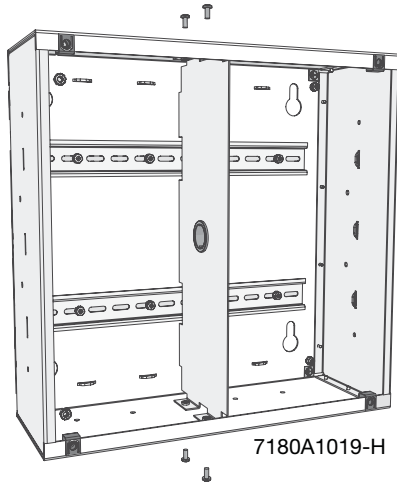
- 3: Secure the DIN rail enclosure to a fire resistant surface, such as drywall, masonry, or concrete, using four bolts (mounting hardware not provided).
- 4: Prior to drilling holes in the enclosure for conduit entry, remove electronics (if installed).
- 5: Drill conduit access following the installation requirements for the DIN-mounted devices.



ETC Setup Guide

DIN rail Enclosures

- 6: Remove any metal shavings and debris from the enclosure.
- 7: Install the provided voltage barrier in one of the possible locations in the enclosure. Multiple locations are provided in the enclosure to meet your installation needs. Use the provided four screws to secure the barrier in place..



- 8: Install the DIN rail devices to the DIN rail.
- 9: Complete the wire terminations and installation procedure for the installed devices as specified in the device's installation manual.
- 10: Reinstall the cover, securing it in place with the previously removed screws.