



Date  
Project  
Fixture  
Comments

GENERAL INFORMATION

Designed for use with ArcSystem Pro One-Cell series luminaires, the ArcSystem driver range is a convection cooled LED driver providing superior quality dimming. Each driver variant has been specifically optimized for the best possible control of its intended luminaire. With this in mind, the following chart details compatibility of each variant:

DRIVER	SUITABLE FOR USE WITH:
D1 Driver	Pro One-Cell / Pro One-Cell Small
D1HO Driver	Pro One-Cell High-Output
D2 Driver	Pro One-Cell Micro

Each D1 driver provides power and control for one Pro One-Cell luminaire while the D2 can power up to 2 Pro One-Cell Micro luminaires. Intensity may be controlled directly using a wired-DMX connection to the drivers RJ45/etherCON connectors, or wirelessly using the separate ArcMesh Transmitter. An optional, wired-only, DMX/RDM version of each driver is available for projects that do not require wireless capability.

ORDERING INFORMATION

ArcSystem Drivers

MODEL	CONTROL	DRIVER CONSTRUCTION
ARCPD1D - D1 Standard ARCPD1DE - D1 Emergency ARCPD1HD - D1HO Standard ARCPD1HDE - D1HO Emergency ARCPD2D - D2 Standard ARCPD2DE - D2 Emergency	Blank - DMX/ArcMesh RDM - DMX/RDM	M - Metal

Note: Drivers shipped prior to August 1, 2019 feature a voltage range of 100-240 VAC. Drivers shipped after August 1, 2019 feature a 100-277 VAC range

To complete the form, simply select an option at the bottom of each column to populate the last row with your desired part number.

GENERAL INFORMATION

APPLICATIONS

- Auditoriums
- Worklights
- Lobbies
- Houses of worship
- Museums
- Studios

FEATURES

- Wired-DMX with wireless ArcMesh control protocols
- Wired only DMX/RDM option available
- Stepless smooth dimming to absolute zero
- Silent operation
- Convection cooled
- Suitable for air handling/plenum use



## PRODUCT SPECIFICATIONS (ARCSYSTEM DRIVERS)

**Control**

Input method	DMX-512 via RJ45 etherCON connector
Protocols	DMX, ArcMesh wireless, RDM (option)
Modes (footprint)	D1/D1HO: 1-channel D2: 2-Channel
RDM configuration	Yes (with RDM option)
UI type	PC config app for ArcMesh option
Local control	No
Notes	ArcMesh wireless control requires optional TX1 transmitter

**Electrical**

Voltage range*	100–277 VAC hard-wired
Input method	Wiring compartment with two half-inch knock-outs at each end for field wiring
Inrush	D1 Driver: 20 A at 120 VAC D1HO Driver: 20 A at 120 VAC D2 Driver: 20 A at 120 VAC
Wattage (max / standby)	D1 Driver: 25 W / <1 W D1HO Driver: 100 W / <3 W D2 Driver: 20 W / <0.5 W
Power factor	>0.9
Current draw	D1 Driver: 0.20 A at 120 VAC D1HO Driver: 0.83 A at 120 VAC D2 Driver: 0.17 A at 120 VAC
Notes	*- D1 drivers shipped prior to August 2019, feature a voltage range of 100–240 VAC. Drivers shipped after August 1, 2019 feature a 100–277 VAC range

**Thermal**

Ambient operating temp	0°–40° C (32°–104° F)
Fan (controllable)	N/A (convection cooled)
BTUs/hour	D1 Driver: 85 D1HO Driver: 341 D2 Driver: 68

**Physical**

Materials	Die-cast aluminum and cold-rolled steel
Color options	Black
Mounting options	4 screw holes in rear plate or optional recessed bracket (see separate datasheet)
IP rating	IP-20 (dry locations only)
Weight	D1 Driver: 0.61 kg (1.35 lb) D1 277 V Driver: 0.91 kg (2.00 lb) D1HO Driver: 1.14 kg (2.50 lb) D2 Driver: 0.71 kg (1.55 lb)

**Warranty**

Driver	5 years
--------	---------

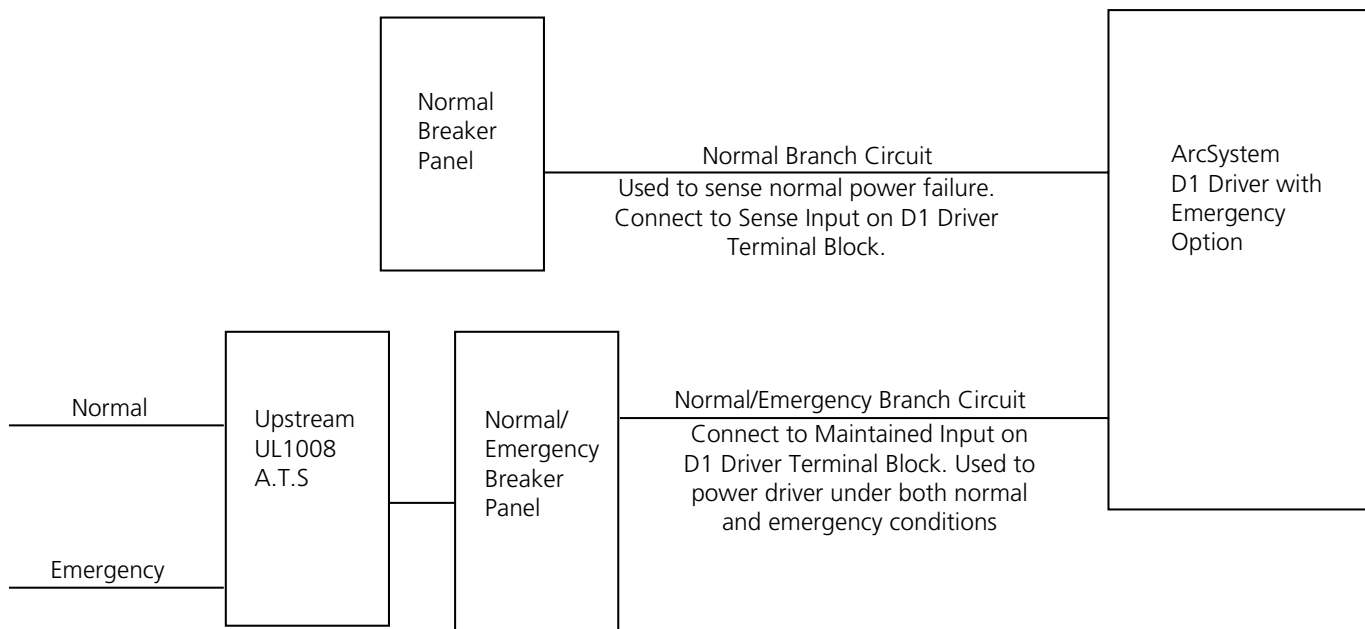
**Regulatory and Compliance**

Approved regulatory standards	Standard version cETLus Listed Conforms to ANSI/UL STD.8750 Certified to CSA STD. C22.2 No: 250 CE Compliant  Emergency version cETLus Listed Conforms to ANSI/UL STD.924 Certified to CSA STD. C22.2 No: 141  D1/D1HO drivers additionally conform to: ANSI/UL STD.2043
-------------------------------	--

**EMERGENCY CONNECTION**

A dual-input emergency version of this driver is available. Emergency drivers have two line-voltage leads that are wired to the product and have the following functions:

- Normal power/emergency power
- Normal power sense input



If normal power to the sense input is lost, the driver will force the luminaire on at 100% overriding all other control signals. There is no control of the driver/luminaire via wireless ArcMesh or wired DMX until normal power is restored at the sense input.

**ACCESSORY INFORMATION**

**D1/D2 Extension Cables (to Pro One-Cell Luminaire)**

MODEL NUMBER	DESCRIPTION
ARCDAHBC1	1 m extension cable
ARCDAHBC1	2 m extension cable
ARCDAHBC1	3 m extension cable
ARCDAHBC1	5 m extension cable
ARCDAHBC1	10 m extension cable

**\*NOT SUITABLE FOR D1HO/PRO ONE-CELL HIGH-OUTPUT**

PHYSICAL

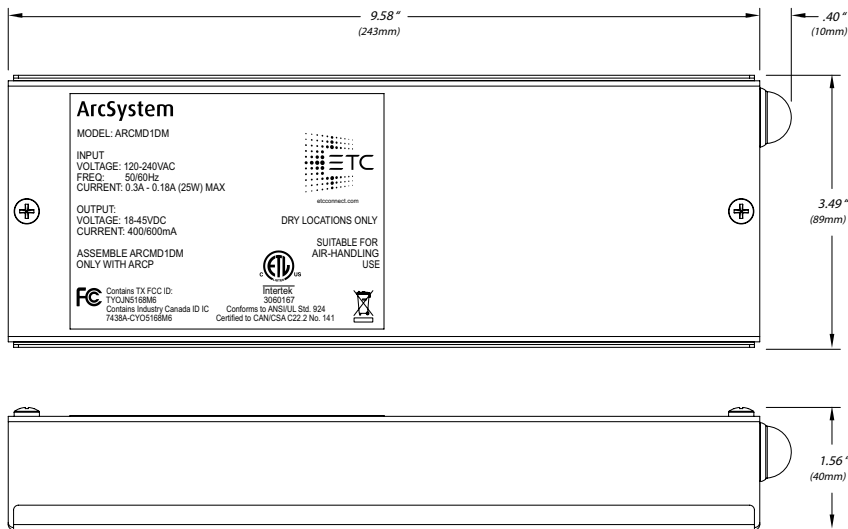
Product Dimensions

MODEL	HEIGHT		WIDTH		DEPTH	
	in	mm	in	mm	in	mm
D1 Driver	1.56	40	9.58	243	3.49	89
D1 Driver 277V	1.56	40	11.98	304	3.49	89
D1 HO Driver	3.03	77	9.98	253	3.49	89
D2 Driver	1.80	46	12.00	305	2.56	64

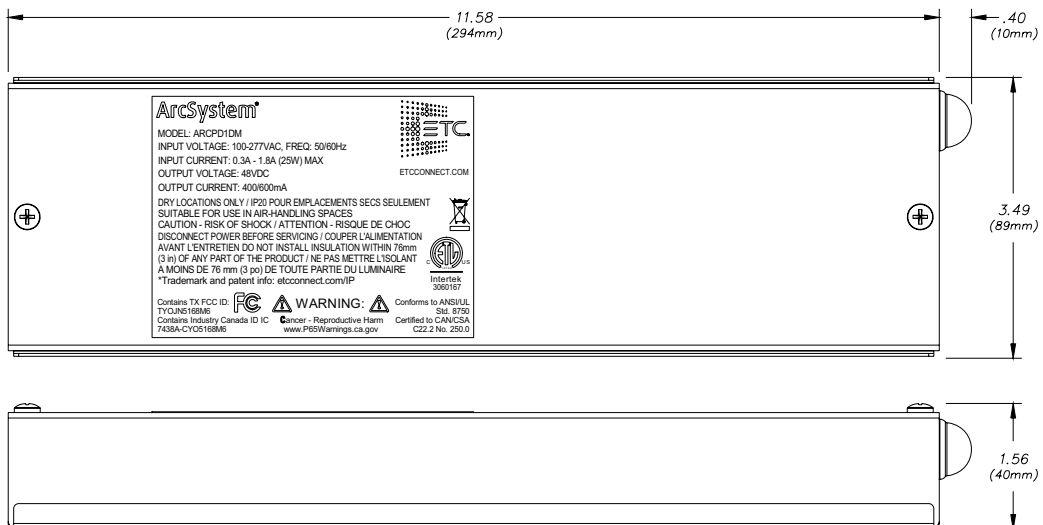
Product Weight

MODEL	WEIGHT		SHIPPING WEIGHT	
	lb	kg	lb	kg
D1 Driver	1.35	0.61	1.70	0.77
D1 Driver 277V	2.00	0.91	2.40	1.09
D1 HO Driver	2.50	1.14	2.85	1.30
D2 Driver	1.55	0.71	1.95	0.89

ARCSYSTEM D1 DRIVER

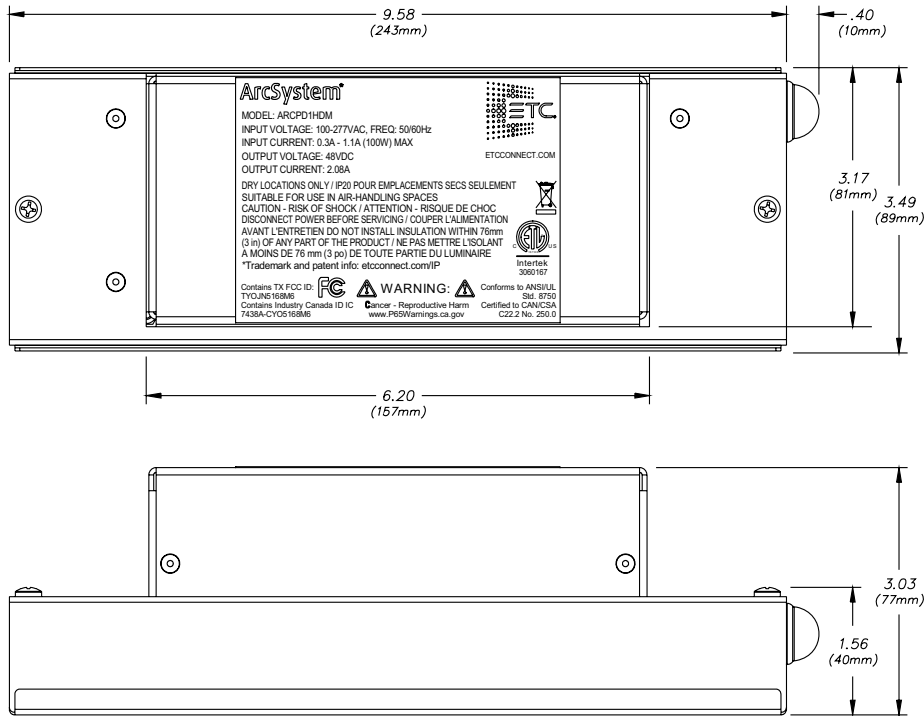


ARCSYSTEM D1 DRIVER 277V



PHYSICAL

ARCYSYSTEM D1 HIGH-OUTPUT DRIVER



ARCYSYSTEM D2 DRIVER

