

Source Four Mini Series



Date
Project
Fixture
Comments

GENERAL INFORMATION

The Source Four Mini LED can go where no full-sized Source Four has gone before. ETC’s 12 W Source Four Mini LED features the same crisp optics, user-friendly functionality and sleek look of the legendary Source Four fixture, but in a compact format at a fraction of the size.

The Source Four Mini LED has four field-angle choices and comes in a portable version for mounting with a clamp, a canopy-mount or track-mount design. Surprisingly bright for its size, the Mini LED offers crystal-clear image projection and a bright, even field.

VENUES

- Museums
- Retail stores
- Restaurants
- Lobbies
- Light labs
- Theatres

FEATURES

- Rugged, die-cast fixture body
- 19°, 26°, 36° and 50° Interchangeable lens tubes
- Uniquely efficient optical system
- Long-life dimmable white LED source available in
 - 2700 K (90+ CRI), 3000 K (80+ and 90+ CRI),
 - 4000 K (80+ CRI) and 5000 K (80+ CRI)
- Three-plane shutters
- Multiple accessories available for color, pattern, and filtering
- Multiple mounting options: portable, canopy and track
- Custom paint colors available; contact ETC

LENS TUBE OPTIONS

MODEL	ACCESSORY
4M19LT	19° Source Four Mini Lens Tube Only Black
4M19LT-1	19° Source Four Mini Lens Tube Only White
4M19LT-5	19° Source Four Mini Lens Tube Only Silver
4M26LT	26° Source Four Mini Lens Tube Only Black
4M26LT-1	26° Source Four Mini Lens Tube Only White
4M26LT-5	26° Source Four Mini Lens Tube Only Silver
4M36LT	36° Source Four Mini Lens Tube Only Black
4M36LT-1	36° Source Four Mini Lens Tube Only White
4M36LT-5	36° Source Four Mini Lens Tube Only Silver
4M50LT	50° Source Four Mini Lens Tube Only Black
4M50LT-1	50° Source Four Mini Lens Tube Only White
4M50LT-5	50° Source Four Mini Lens Tube Only Silver

ORDERING INFORMATION

SOURCE FOUR MINI LED BODY ONLY - ORDER LENS TUBE SEPARATELY

MODEL	COLOR TEMP	CRI	VOLTAGE	MOUNTING	COLOR
4ML - Source Four Mini LED	27 - 2700 K 30 - 3000 K 40 - 4000 K 50 - 5000 K	80 - Standard 90 - Gallery <small>(Gallery only available with 2700 K and 3000 K options)</small> <small>(Standard only available in 3000 K, 4000 K and 5000 K options)</small>	120 - 120 V 230 - 230 V	T - Track C - Canopy P - Portable (Edison Plug) PU - Portable (UK 13A Plug) PE - Portable (EU Schuko Plug)	BLANK - Black 1 - White 5 - Silver 8 - Custom

To complete the form, simply select an option at the bottom of each column to populate the last row with your desired model number.

Color Options: Fixtures ship standard in black, silver or white. For additional colors please contact ETC.



PRODUCT SPECIFICATIONS

Source

LED details	Cree XLamp® MT-G2 EasyWhite® LED
Max field lumens	492 (2700 K, 36°)
Lumens per watt	37
L70 rating (hours to 70% output)	35,000

LED Color Temperature Data

Available Color Temperature Options	2700 K / 3000 K / 4000 K / 5000 K
CRI options	90 CRI - 2700 K and 3000 K 80 CRI - 3000 K, 4000 K and 5000 K
Red shift	No

Optical

Field angle options	19° / 26° / 36° / 50°
Pattern Projection	Yes
Pattern Size	E (37.5 mm with a 25.4 mm image area)
Front accessory slot	Dual, captive accessory slots with 70 mm (2.75 in) media frame (included)

Electrical

Voltage range	100–120 V 50/60 Hz 230–240 V 50/60 Hz
Power cord length (portable variant only)	190 cm (75 in)
Track Adapter (Track variant only)	120 V - Datatrack 2-circuit track adapter 230 V - EUTRAC 3-circuit track adapter Global Trac Pro (GA69) or Halo compatible (AD1) adapters available on request. AD1 adapter is compatible with Halo single circuit and two circuit track systems
Wattage Typical/Max	12 W Typical / 14 W Max
Inrush (first half-cycle)	120 V - <1 A 230 V - <1 A
Dimming Compatibility	Forward and Reverse Phase

Thermal

Ambient operating temp	0°–40° C (32°–104° F)
Fan (controllable)	No fan
BTUs/hour	40.95 Typical / 47.77 Max

Physical

Materials	Die-cast aluminum (A380 grade)
Color options	Black, white, silver, or custom color
Mounting options	Track, Portable, Canopy
Track adapter/Canopy color	Color matched to fixture (Silver version of track fixture provided with black track adapter)
IP rating	IP20 for portable and canopy version IP40 for track version
Weight	Track Mount: 1.1 kg (2.4 lb) Portable: 1.2 kg (2.6 lb) Canopy: 1.2 kg (2.6 lb)
Included accessories (portable variant only)	Steel yoke, C-clamp (not included with CE version)

Warranty

Fixture	5 years
LED array	10 years

Approved Regulatory Standards

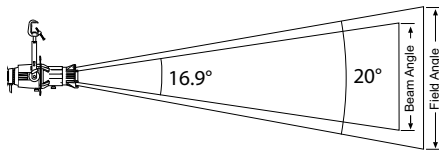
Portable version	cETLus Listed Conforms to ANSI/UL STD. 153 Certified to CSA STD. C22.2 No: 250 CE Compliant
Track version	cETLus Listed Conforms to ANSI/UL STD. 1574 Certified to CSA STD. C22.2 No: 9.0 CE Compliant
Canopy version	cETLus Listed Conforms to ANSI/UL STD. 1598 Certified to CSA STD. C22.2 No: 250 CE Compliant

PHOTOMETRY INFORMATION

Source Four Mini LED 19 Degree

Mode	Beam Angle	Field Angle	Candela	Field Lumens	Beam Lumens	Lumens Per Watt
2700 K Gallery	16.5	19.6	7,884	471	383	36.0
3000 K Gallery	17.4	20.1	5,752	374	311	29.4
3000 K	16.9	20.0	7,830	488	400	37.0
4000 K	16.9	20.0	9,194	573	478	
5000 K	17.5	20.1	9,004	561	468	

Metric conversions: For meters, multiply feet by 0.3048.
For lux, multiply footcandles by 10.76.

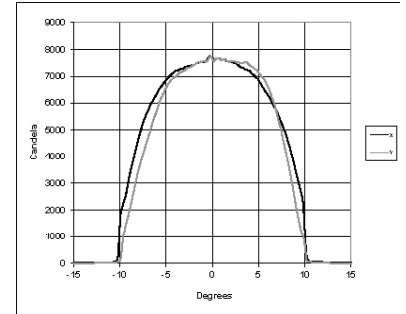


Throw Distance (d)	10 ft	15 ft	20 ft	25 ft	
	3.0 m	4.6 m	6.1 m	7.6 m	
Field Diameter	3.5 ft	5.3 ft	7.1 ft	8.8 ft	-
	1.1 m	1.6 m	2.1 m	2.7 m	
Illuminance (fc)	78	35	20	13	1
Illuminance (lux)	843	375	211	135	10.76

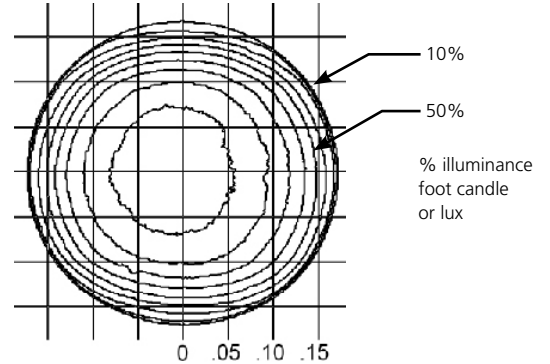
To determine center beam illumination in footcandles at any throw distance, divide candela by the throw distance squared.

For field diameter at any distance, multiply distance by 0.XXX.
For beam diameter at any distance, multiply by 0.XXX.

Candela Plot



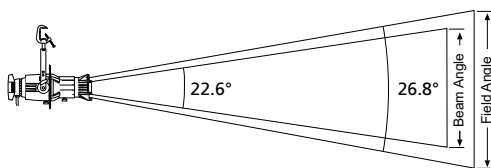
Iso-Illuminance Diagram (Flat Surface Distribution)



Source Four Mini LED 26 Degree

Mode	Beam Angle	Field Angle	Candela	Field Lumens	Beam Lumens	Lumens Per Watt
2700 K Gallery	21.6	26.2	4,534	570	370	35.3
3000 K Gallery	23.3	26.8	3,270	376	311	29.6
3000 K	22.6	26.8	4,440	490	399	37.1
4000 K	22.5	26.8	5,215	575	484	
5000 K	23.3	26.8	5,108	564	474	

Metric conversions: For meters, multiply feet by 0.3048.
For lux, multiply footcandles by 10.76.

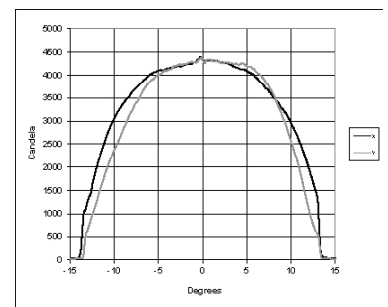


Throw Distance (d)	10 ft	15 ft	20 ft	25 ft	
	3.0 m	4.6 m	6.1 m	7.6 m	
Field Diameter	4.8 ft	7.1 ft	9.5 ft	11.9 ft	-
	1.5 m	2.2 m	2.9 m	3.6 m	
Illuminance (fc)	44	20	11	7	1
Illuminance (lux)	478	212	119	76	10.76

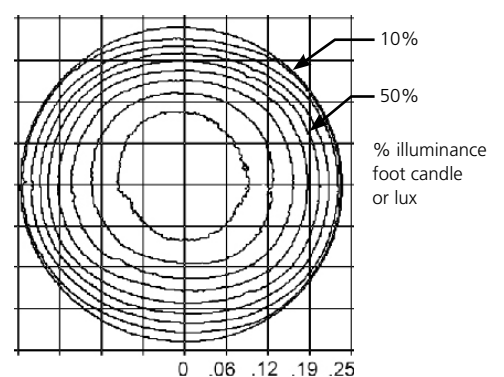
To determine center beam illumination in footcandles at any throw distance, divide candela by the throw distance squared.

For field diameter at any distance, multiply distance by 0.XXX.
For beam diameter at any distance, multiply by 0.XXX.

Candela Plot



Iso-Illuminance Diagram (Flat Surface Distribution)

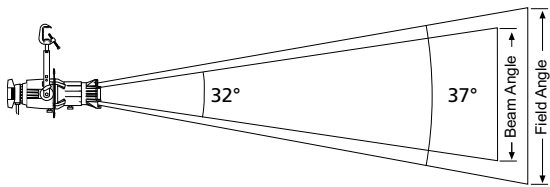


PHOTOMETRY INFORMATION

Source Four Mini LED 36 Degree

Mode	Beam Angle	Field Angle	Candela	Field Lumens	Beam Lumens	Lumens Per Watt
2700 K Gallery	30.1	35.6	2,520	492	384	37.0
3000 K Gallery	33.1	37.0	1,730	391	320	30.8
3000 K	32.0	37.0	2,350	517	412	39.1
4000 K	32.1	37.0	2,794	607	516	
5000 K	33.1	37.0	2,736	595	505	

Metric conversions: For meters, multiply feet by 0.3048.
For lux, multiply footcandles by 10.76.



Throw Distance (d)	10 ft	15 ft	20 ft	25 ft	XX ft
	3.0 m	4.6 m	6.1 m	7.6 m	XX m
Field Diameter	6.7 ft	10.0 ft	13.4 ft	16.7 ft	-
	2.0 m	3.1 m	4.1 m	5.1 m	
Illuminance (fc)	24	10	6	4	1
Illuminance (lux)	253	112	63	40	10.76

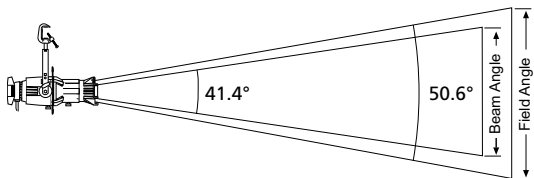
To determine center beam illumination in footcandles at any throw distance, divide candela by the throw distance squared.

For field diameter at any distance, multiply distance by 0.XX.
For beam diameter at any distance, multiply by 0.XX.

Source Four Mini LED 50 Degree

Mode	Beam Angle	Field Angle	Candela	Field Lumens	Beam Lumens	Lumens Per Watt
2700 K Gallery	37.1	48.1	1,541	590	331	36.8
3000 K Gallery	42.8	50.4	1,010	389	286	30.7
3000 K	41.4	50.6	1,384	517	369	39.1
4000 K	41.4	50.7	1,660	609	491	
5000 K	42.8	50.4	1,626	597	481	

Metric conversions: For meters, multiply feet by 0.3048.
For lux, multiply footcandles by 10.76.

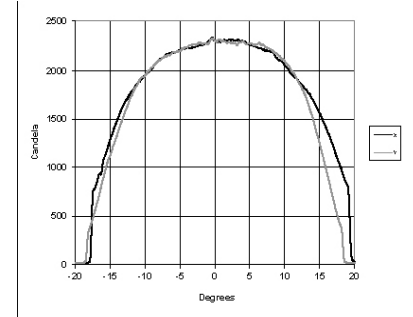


Throw Distance (d)	10 ft	15 ft	20 ft	25 ft	XX ft
	3.0 m	4.6 m	6.1 m	7.6 m	XX m
Field Diameter	9.5 ft	14.2 ft	18.9 ft	23.6 ft	-
	2.9 m	4.3 m	5.8 m	7.2 m	
Illuminance (fc)	14	6	3	2	1
Illuminance (lux)	149	66	37	24	10.76

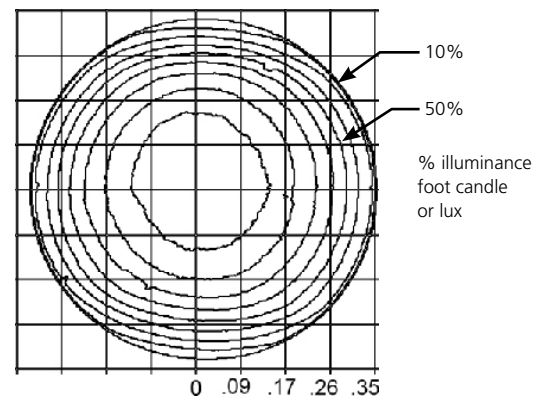
To determine center beam illumination in footcandles at any throw distance, divide candela by the throw distance squared.

For field diameter at any distance, multiply distance by 0.XX.
For beam diameter at any distance, multiply by 0.XX.

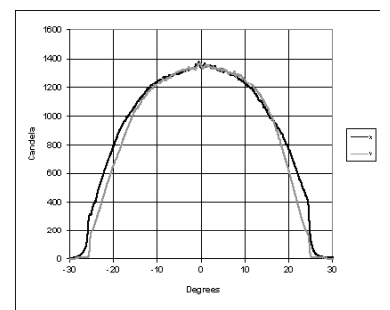
Candela Plot



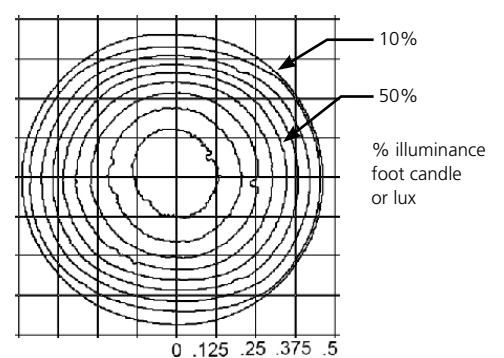
Iso-Illuminance Diagram (Flat Surface Distribution)



Candela Plot

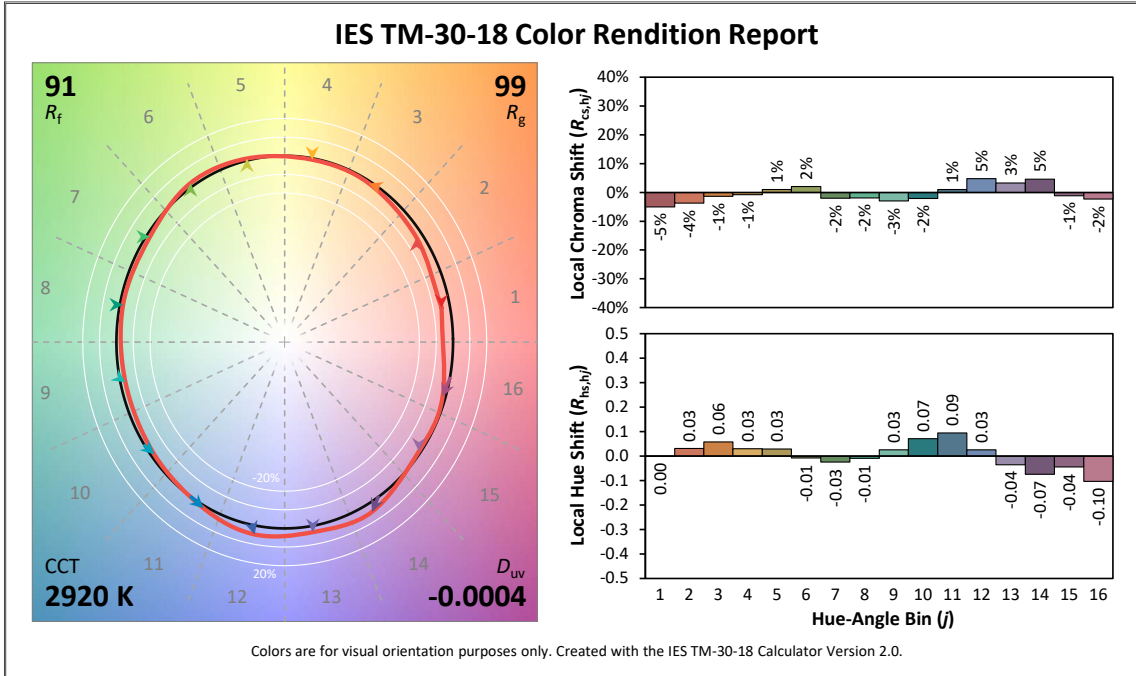


Iso-Illuminance Diagram (Flat Surface Distribution)

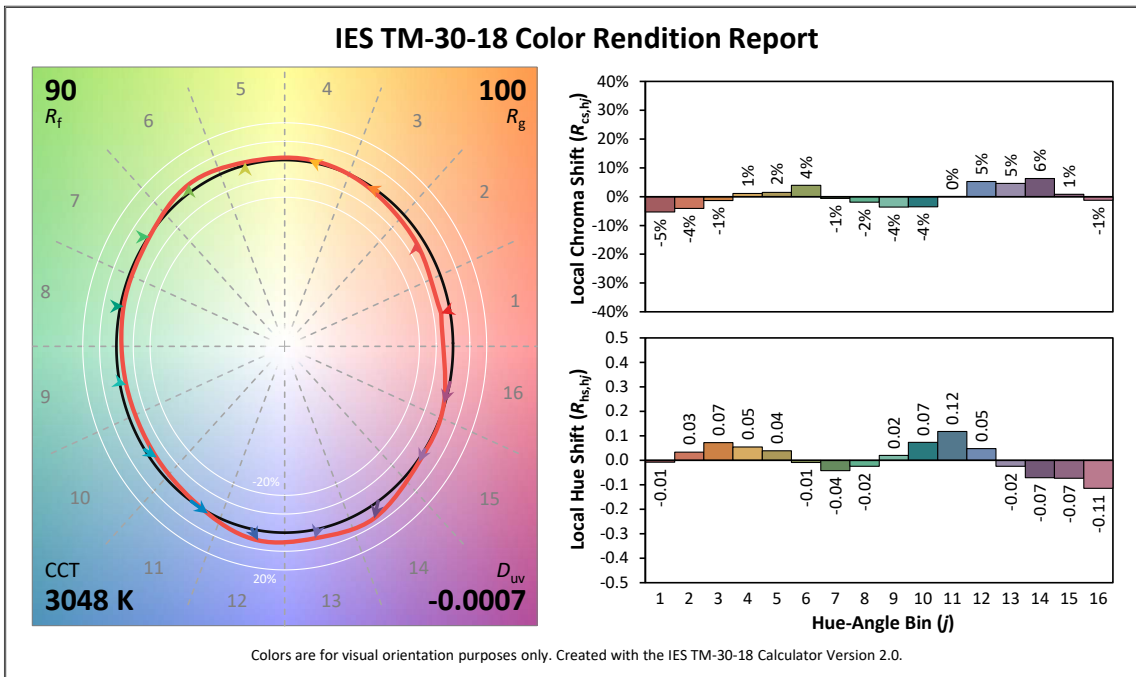


COLOR METRIC INFO

SOURCE FOUR MINI LED 2700 K GALLERY (+90 CRI) TM-30-18

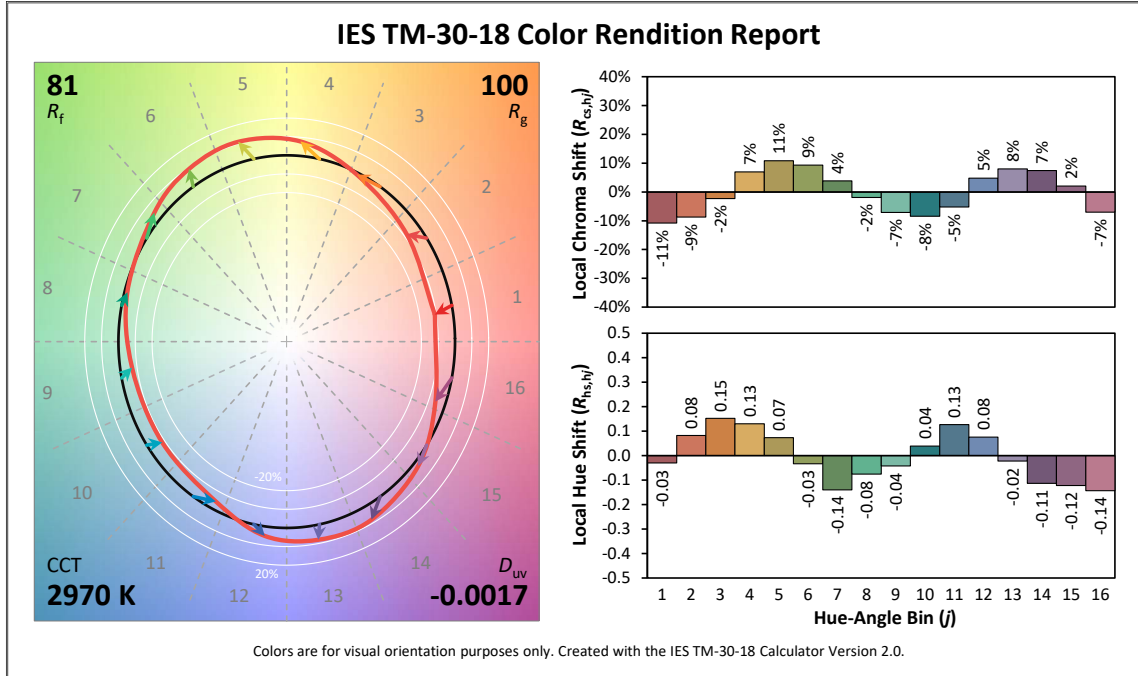


SOURCE FOUR MINI LED 3000 K GALLERY (+90 CRI) TM-30-18

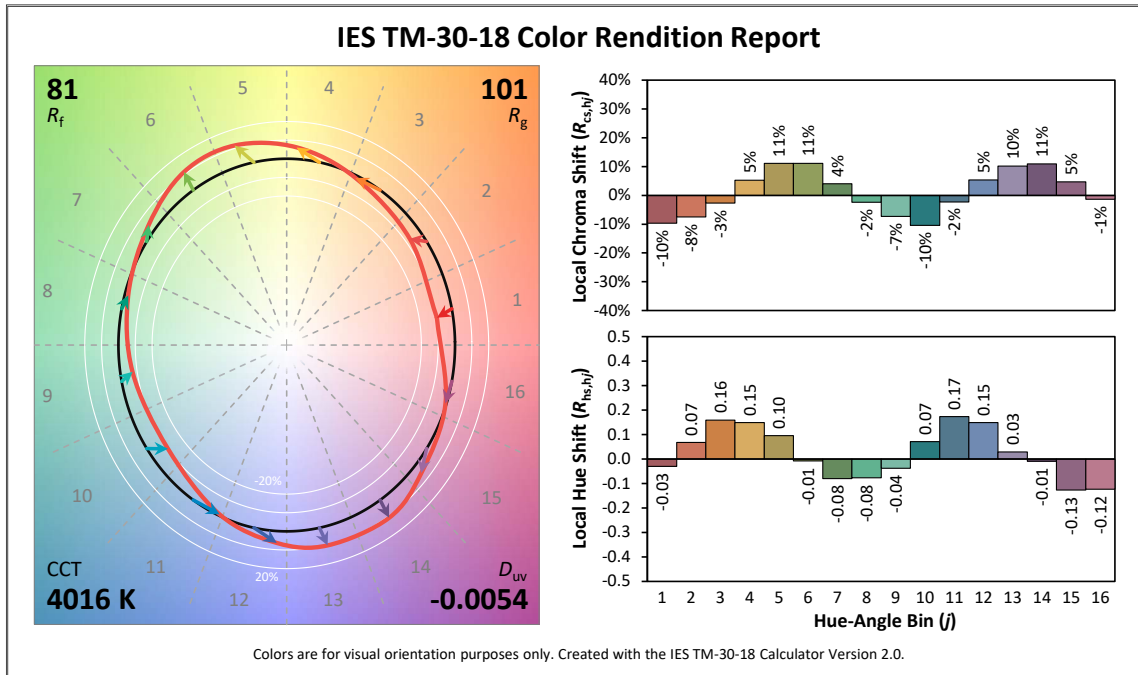


COLOR METRIC INFO

SOURCE FOUR MINI LED 3000 K (+80 CRI) TM-30-18

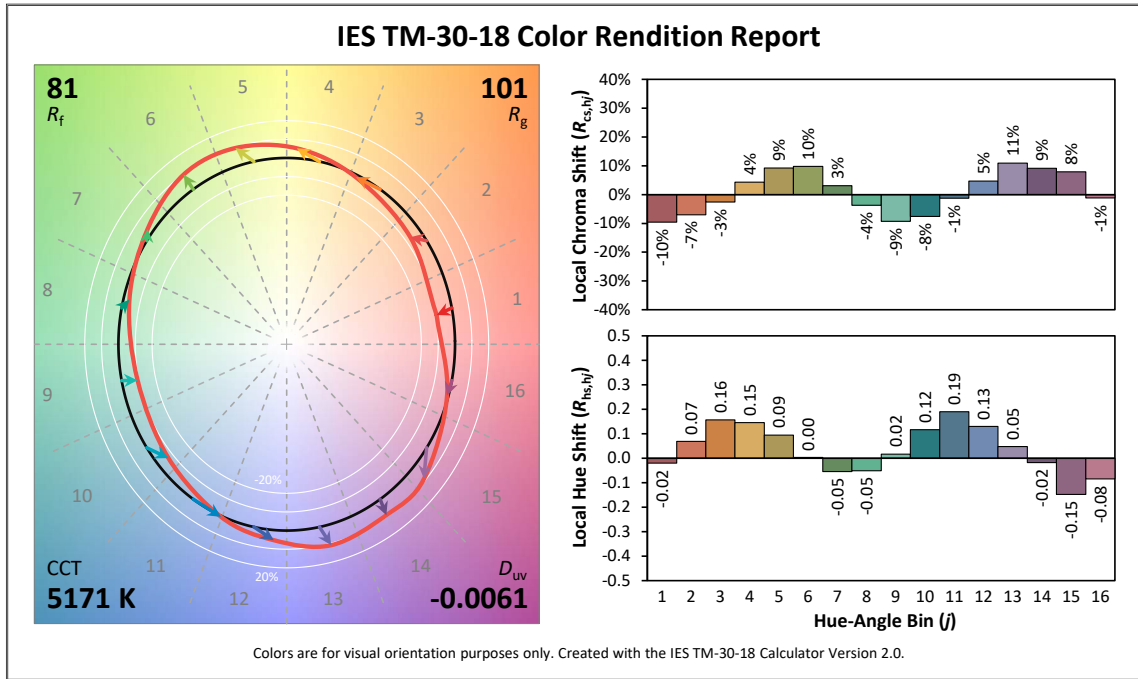


SOURCE FOUR MINI LED 4000 K (+80 CRI) TM-30-18



COLOR METRIC INFO

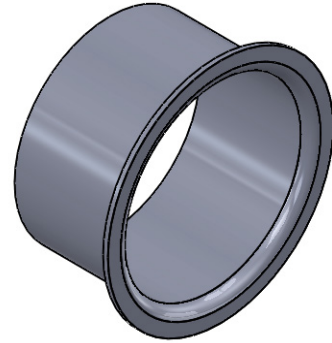
SOURCE FOUR MINI LED 5000 K (+80 CRI) TM-30-18



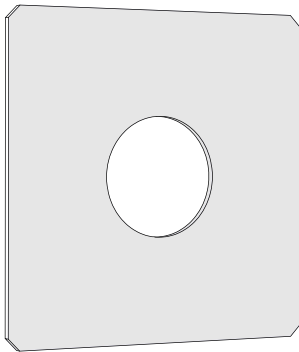
ORDERING INFORMATION

Source Four Mini Accessories

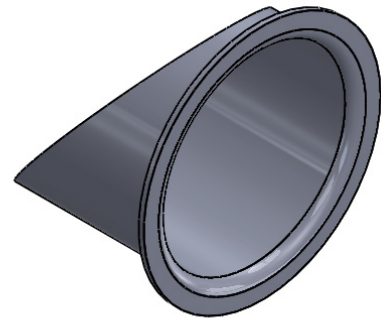
MODEL	DESCRIPTION
4MPH	Pattern holder
4MCF	Color frame
4MD	Donut
4MTH	Top hat
4MTHS	Top hat short
4MHH	Half hat
4MHHS	Half hat short



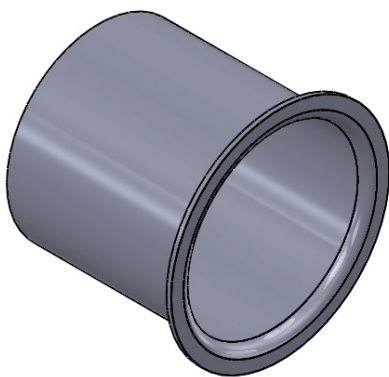
4MTHS - TOP HAT SHORT



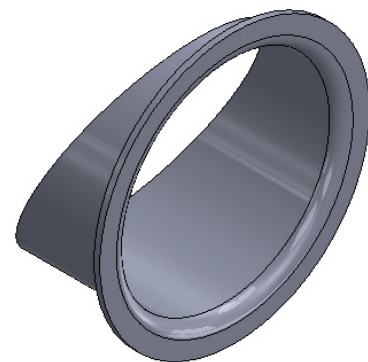
4MD - DONUT



4MHH - HALF HAT



4MTH - TOP HAT



4MHHS - HALF HAT SHORT

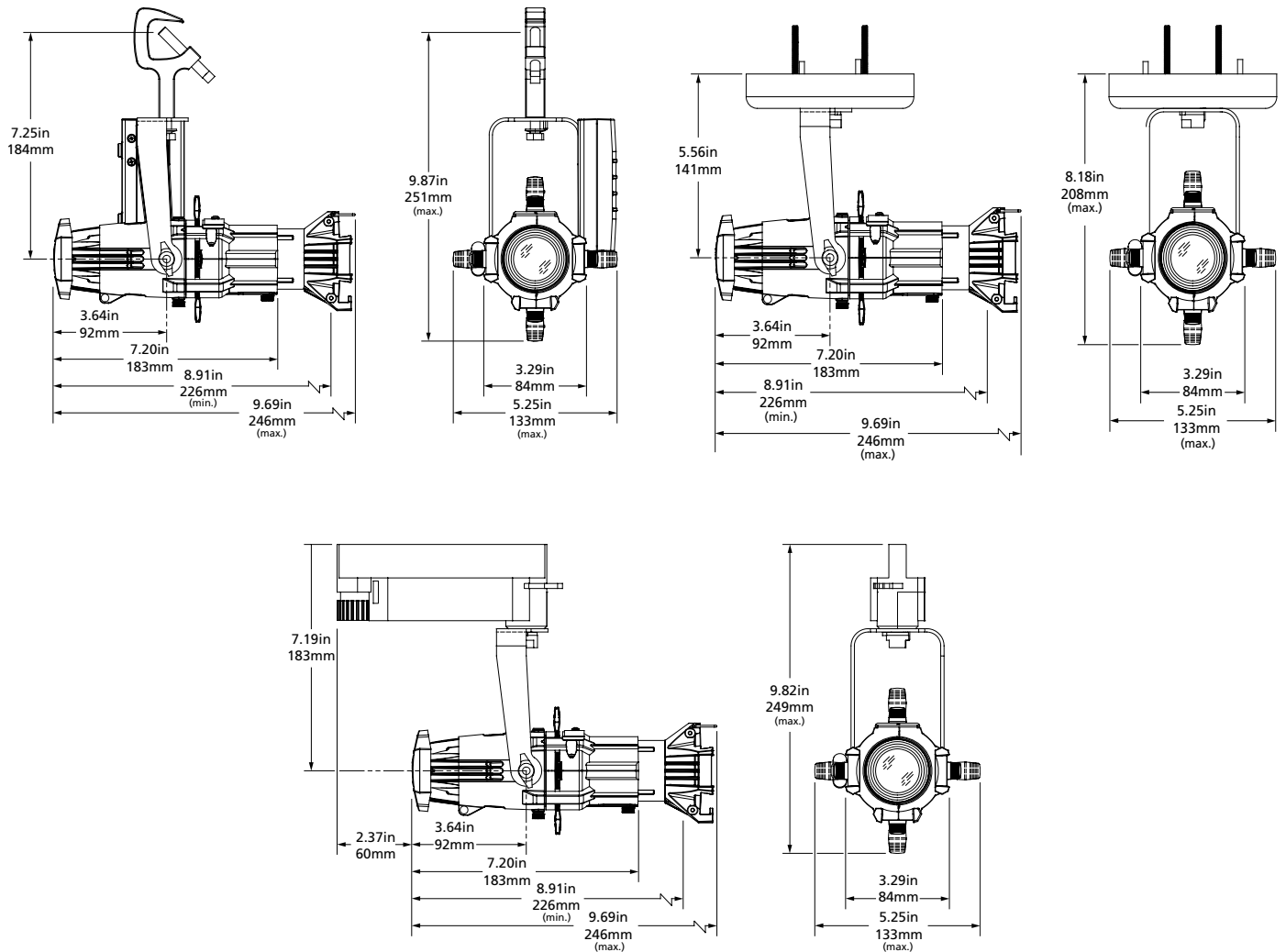
PHYSICAL

Source Four Mini LED Weights

	WEIGHT		SHIPPING WEIGHT	
	lb	kg	lb	kg
Portable	2.6	1.2	3.8	1.7
Install Canopy	2.6	1.2	3.7	1.7
Track Mount	2.4	1.1	3.6	1.6

Source Four Mini LED Dimensions

	HEIGHT		WIDTH		DEPTH	
	in	mm	in	mm	in	mm
Portable	9.87	251	5.25	133	9.69	246
Install Canopy	8.18	208	5.25	133	9.69	246
Track Mount	9.82	249	5.25	133	9.69	246



Corporate Headquarters • Middleton, WI USA

Global Offices • London, UK • Rome, IT • Holzkirchen, DE • Paris, FR • Hong Kong • Dubai, UAE • Singapore • New York, NY • Orlando, FL • Los Angeles, CA

Copyright©2020 ETC. All Rights Reserved. All product information and specifications subject to change. Rev P 02/20

Trademark and patent info: etconnect.com/IP

etconnect.com