



Shure Brothers Incorporated
 222 Hartrey Avenue
 Evanston IL 60202-3696 U.S.A.

Phone: 800-257-4873 Fax: 847-866-2279
 In Europe, Phone: 49-7131-72140 Fax: 49-7131-721414
 Internationally, Phone: 847-866-2200 Fax: 847-866-2585
 Web Address: <http://www.shure.com>

MODEL 588SDX UNIDIRECTIONAL DYNAMIC MICROPHONE

Specification Sheet

MODEL 588SDX UNIDIRECTIONAL DYNAMIC MICROPHONE

The Model 588SDX is a ball-type, dual-impedance, cardioid (unidirectional) dynamic microphone that provides excellent voice reproduction. Its spherical grille is a very effective wind and pop filter which is especially good when used for closeup vocal miking. This microphone is highly suited for speech or music pickup in schools, churches, and meeting rooms. Its unidirectional polar pattern greatly reduces feedback problems, permitting operation closer than usual to loudspeakers without the annoying squeal or howl caused by feedback.

The microphone is equipped with a lockable ON/OFF switch and an internal impedance selection socket located on the XLR connector for switching between high and low impedance. A slip-in swivel adapter is supplied for the convenience of stand-mounted use.

SPECIFICATIONS

Type
 Dynamic (moving coil)

Frequency Response
 80 to 15,000 Hz (see Page 2)

Polar Pattern
 Cardioid (unidirectional) symmetrical about axis (see Page 2)

Impedance
 LO Z: Microphone rated impedance is 150 Ω (270 Ω actual) for connection to microphone inputs rated low impedance
 HI Z: Microphone impedance is "High" for connection to high-impedance microphone inputs

Output Level (at 1,000 Hz)

	<u>LO Z</u>	<u>HI Z</u>
Open Circuit Voltage*	- 75.5 dB (0.17 mV)	- 57.0 dB (1.4 mV)
Power Level**	- 56.0 dB	
*0 dB = 1V/μbar		
**0 dB = 1 mW/10 μbar		

Phasing
 Positive pressure on the diaphragm produces positive voltage on pin 2 relative to pin 3 in both HI Z and LO Z modes

- Switch**
 Built-in ON/OFF switch, lockplate to lock switch ON
- Connector**
 Three-pin professional (male XLR) type
- Cartridge Shock Mount**
 Internal rubber vibration-isolator
- Swivel Adapter**
 Positive action, break-resistant, adjustable through 180°, slip-out removal for handheld use, designed for mounting on stand with 5/8-in.-27 thread
- Case**
 Platinum beige enamel die casting with platinum beige steel grille
- Dimensions**
 See Page 2

Net Weight
 315 grams (11.1 oz)

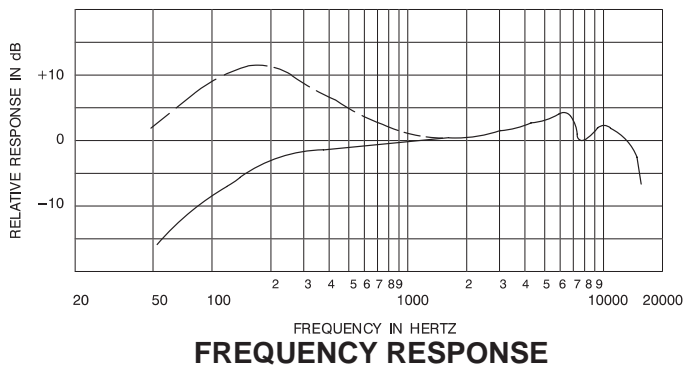
Certification
 Conforms to European Union directives, eligible to bear CE marking; meets European Union EMC Immunity Requirements (EN 50 082-1, 1992); RF radiated (IEC 801-3); ESD (IEC 801-2); EFT (IEC 801-4).

FURNISHED ACCESSORY
 Break-Resistant Swivel Adapter A25C

OPTIONAL ACCESSORIES
 Desk Stand S37A, S39A
 Shock Stopper™ Isolation Mount A55M
 Windscreen (7 colors available) A58WS Series
 Cable:
 4.6 m (15 ft) or 6.1 m (20 ft) 1-conductor with phone plug (High Impedance) C15HZ, C20HZ
 7.6 m (25 ft) 2-conductor with 3-pin XLR connectors (Low Impedance) C25J

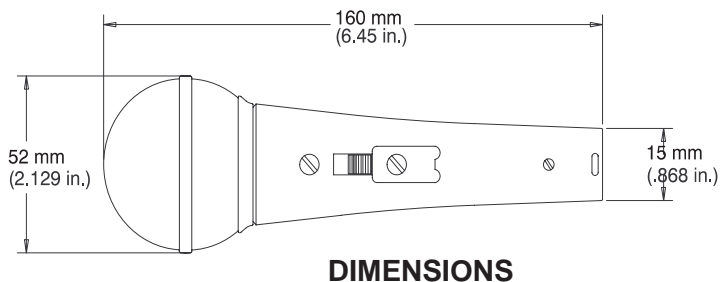
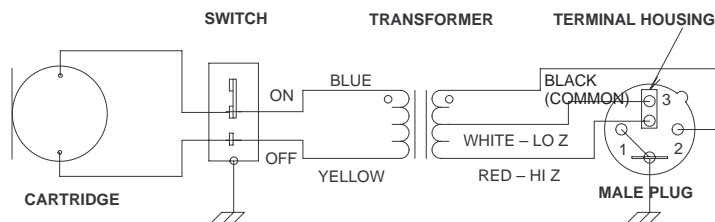
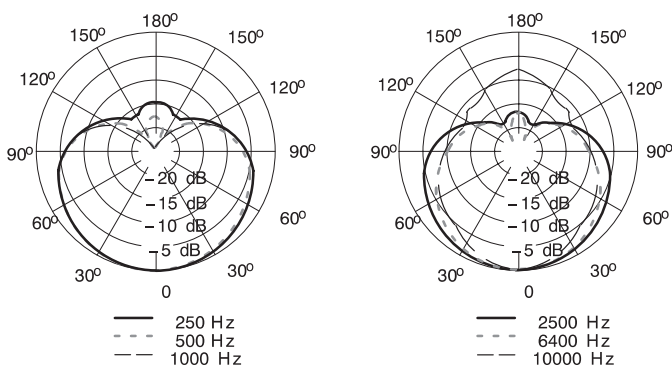
REPLACEMENT PARTS
 Cartridge R180
 Screen and Grille Assembly RK332G

For additional service or parts information, please contact Shure's Service department at 1-800-516-2525. Outside the United States, please contact your authorized Shure Service Center.



Features

- *Controlled low-frequency response combined with a smooth high-frequency rise for clear and intelligible voice pickup*
- *Symmetrical cardioid pickup pattern minimizes feedback*
- *Spherical grille provides effective filtering out of breath noise and popping when used for closeup vocals, and of wind noise when used outdoors*
- *Neodymium magnet for high signal-to-noise ratio*
- *Shock-mounted cartridge for quiet operation and low stand/ handling noise*
- *Lockable ON/OFF switch*
- *Dual impedance selectable by internal socket*
- *Break-resistant, slip-in swivel adapter for stand-mounted use*
- *Three-pin professional audio (XLR) connector*
- *Tough, steel-mesh grille resists wear from constant use and handling; die-cast handle*
- *Field serviceable and backed by the Shure 2-year warranty*



THE SOUND OF PROFESSIONALS...WORLDWIDE®

Shure Brothers Incorporated
 222 Hartweg Avenue, Evanston, Illinois U.S.A. 60202-3696
 Phone: 1-847-866-2200 Fax: 1-847-866-2279
 In Europe: 49-7131-72140 Fax: 49-7131-721414
 Other International: 1-847-866-2200 Fax: 1-847-866-2585