



TCS Brackets

TCS62-SB (WH), TCS-FK1 (WH), TCS-FK2 (WH), TCS-FK3 (WH),
TCS115-FP (WH), TCS122-FP (WH), TCS152-FP (WH)

Quickstart Guide



EN

LEGAL DISCLAIMER

MUSIC Group accepts no liability for any loss which may be suffered by any person who relies either wholly or in part upon any description, photograph, or statement contained herein. Technical specifications, appearances and other information are subject to change without notice. All trademarks are the property of their respective owners. MIDAS, KLARK TEKNIK, TURBOSOUND, BEHRINGER, BUGERA and DDA are trademarks or registered trademarks of MUSIC Group IP Ltd. © MUSIC Group IP Ltd. 2014 All rights reserved.

LIMITED WARRANTY

For the applicable warranty terms and conditions and additional information regarding MUSIC Group's Limited Warranty, please see complete details online at music-group.com/warranty.

NEGACIÓN LEGAL

MUSIC Group no admite ningún tipo de responsabilidad por cualquier daño o pérdida que pudiera sufrir cualquier persona por confiar total o parcialmente en la descripción, fotografías o afirmaciones contenidas en este documento. Las especificaciones técnicas, imágenes y otras informaciones contenidas en este documento están sujetas a modificaciones sin previo aviso. Todas las marcas comerciales que aparecen aquí son propiedad de sus respectivos dueños. MIDAS, KLARK TEKNIK, TURBOSOUND, BEHRINGER, BUGERA y DDA son marcas comerciales o marcas registradas de MUSIC Group IP Ltd. © MUSIC Group IP Ltd. 2014 Reservados todos los derechos.

GARANTÍA LIMITADA

Si quiere conocer los detalles y condiciones aplicables de la garantía así como información adicional sobre la Garantía limitada de MUSIC group, consulte online toda la información en la web music-group.com/warranty.

ES

FR

DE

PT

JP

CN

DÉNI LÉGAL

MUSIC Group ne peut être tenu pour responsable pour toute perte pouvant être subie par toute personne se fiant en partie ou en totalité à toute description, photographie ou affirmation contenue dans ce document. Les caractéristiques, l'apparence et d'autres informations peuvent faire l'objet de modifications sans notification. Toutes les marques appartiennent à leurs propriétaires respectifs. MIDAS, KLARK TEKNIK, TURBOSOUND, BEHRINGER, BUGERA et DDA sont des marques ou marques déposées de MUSIC Group IP Ltd. © MUSIC Group IP Ltd. 2014 Tous droits réservés.

GARANTIE LIMITÉE

Pour connaître les termes et conditions de garantie applicables, ainsi que les informations supplémentaires et détaillées sur la Garantie Limitée de MUSIC Group, consultez le site Internet music-group.com/warranty.

HAFTUNGSAUSSCHLUSS

MUSIC Group übernimmt keine Haftung für Verluste, die Personen entstanden sind, die sich ganz oder teilweise auf hier enthaltene Beschreibungen, Fotos oder Aussagen verlassen haben. Technische Daten, Erscheinungsbild und andere Informationen können ohne vorherige Ankündigung geändert werden. Alle Warenzeichen sind Eigentum der jeweiligen Inhaber. MIDAS, KLARK TEKNIK, TURBOSOUND, BEHRINGER, BUGERA und DDA sind Warenzeichen oder eingetragene Warenzeichen der MUSIC Group IP Ltd. © MUSIC Group IP Ltd. 2014 Alle Rechte vorbehalten.

BESCHRÄNKTE GARANTIE

Die geltenden Garantiebedingungen und zusätzliche Informationen bezüglich der von MUSIC Group gewährten beschränkten Garantie finden Sie online unter music-group.com/warranty.

LEGAL RENUNCIANTE

O MUSIC Group não se responsabiliza por perda alguma que possa ser sofrida por qualquer pessoa que dependa, seja de maneira completa ou parcial, de qualquer descrição, fotografia, ou declaração aqui contidas. Dados técnicos, aparências e outras informações estão sujeitas a modificações sem aviso prévio. Todas as marcas são propriedade de seus respectivos donos. MIDAS, KLARK TEKNIK, TURBOSOUND, BEHRINGER, BUGERA e DDA são marcas ou marcas registradas do MUSIC Group IP Ltd. © MUSIC Group IP Ltd. 2014 Todos direitos reservados.

GARANTIA LIMITADA

Para obter os termos de garantia aplicáveis e condições e informações adicionais a respeito da garantia limitada do MUSIC group, favor verificar detalhes na íntegra através do website music-group.com/warranty.

法的放棄

ここに含まれる記述、写真、意見の全体または一部に依拠して、いかなる人が損害を生じさせた場合にも、MUSIC Groupは一切の賠償責任を負いません。技術仕様、外観およびその他の情報は予告なく変更になる場合があります。商標はすべて、それぞれの所有者に帰属します。MIDAS、KLARK TEKNIK、TURBOSOUND、BEHRINGER、BUGERA および DDA は MUSIC Group IP Ltd. の商標または登録商標です。© MUSIC Group IP Ltd. 2014 無断転用禁止。

限定保証

適用される保証条件と MUSIC Group の限定保証に関する概要については、オンライン上 music-group.com/warranty にて詳細をご確認ください。

法律声明

对于任何因在此说明书提到的全部或部份描述、图片或声明而造成的损失, MUSIC Group 不负任何责任。技术参数和外观若有更改, 恕不另行通知。所有的商标均为其各自所有者的财产。MIDAS, KLARK TEKNIK, TURBOSOUND, BEHRINGER, BUGERA 和 DDA 是 MUSIC Group IP Ltd. 公司的商标或注册商标。© MUSIC Group IP Ltd. 2014 版权所有。

保修条款

有关音乐集团保修的适用条款及其它相关信息, 请登陆 music-group.com/warranty 网站查看完整的详细信息。

Thank you for choosing a TURBOSOUND loudspeaker product for your application. If you would like further information about this or any other TURBOSOUND product, please visit our website at turbosound.com.

Unpacking

After unpacking the bracket/fly kit please check carefully for damage and make sure all parts are present.

If damage is found or any parts are missing, please notify your supplier at once. You, the consignee, must instigate any claim. Please retain all packaging in case of future re-shipment.

Mounting and Fixing

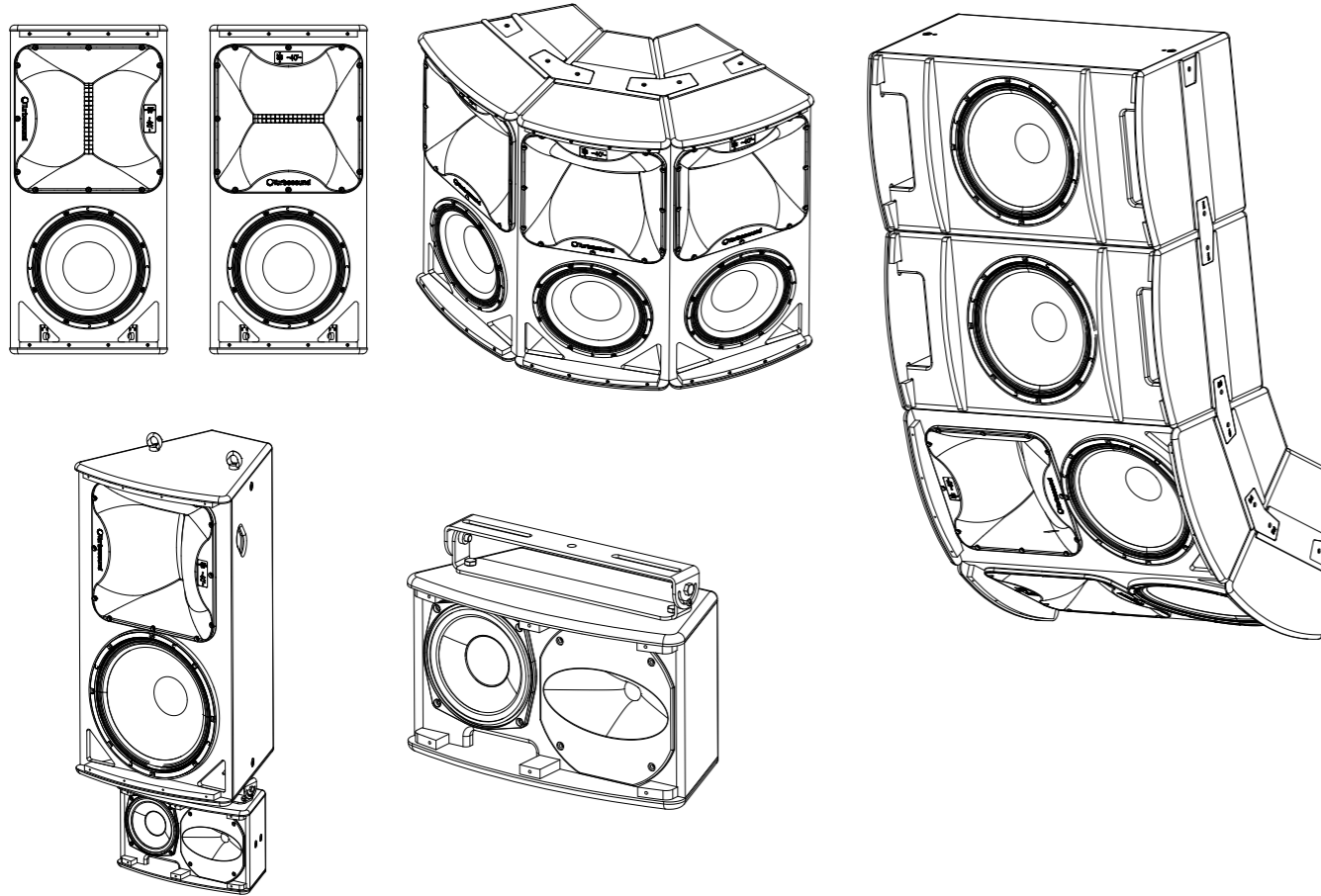
The table below summarises the rigging parts or kits required for various applications, and some examples of the possible rigging options are illustrated.

TCS series cabinets are designed with multiple internal rigging points to suit many possible mounting methods in permanent installations. All cabinets can be simply suspended using optional M8 or M10 shoulder eyebolts coupled to the internal rigging points provided. Remove the appropriate countersunk screws and replace them with eyebolts, which must have a thread length of at least 18mm. Use the rear rigging point to angle the cabinet for optimum room coverage. Cabinets may be hung upside down if required. TURBOSOUND WB-20, WB-55 and CB-55 wall and ceiling brackets are optionally available for TCS series cabinets, and these are also compatible with OmniMount* wall and ceiling brackets which use 60 mm x 60 mm hole spacing.

| Model | Wall | Ceiling | Downfill | Array Kit | Eyebolts |
|----------------|-------------------|-------------------|----------|---------------------------------|-----------|
| TCS62 | WB-20 TCS62-SB | CB-55 TCS62-SB | TCS62-SB | | M8 Thread |
| TCS122 | WB-55 | CB-55 | | TCS122-FP TCS-FK1 TCS-FK2 | EB-10-40 |
| TCS152 | WB-55 | CB-55 | | TCS152-FP TCS-FK1 TCS-FK2 | EB-10-40 |
| TCS115B | | | | TCS115-FP TCS-FK3 | EB-10-40 |
| TCS Subwoofers | | | | | EB-10-40 |

EN

Some typical examples of the possible rigging options are shown here:



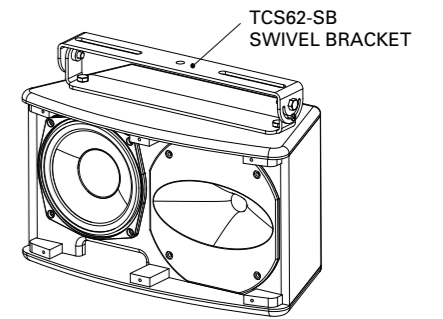
TCS Series Flying Components

Wall and Ceiling Brackets

To install a loudspeaker using TURBOSOUND wall and ceiling brackets, first separate the brackets into their wall/ceiling plate and speaker plate component parts. Remove the countersunk bolts on the rear panel of the cabinet. Attach the speaker plate to the cabinet with the bolts supplied. Fix the wall/ceiling plate in the venue using appropriate fixings (not supplied). Lift the loudspeaker on to the wall plate and re-assemble the bracket parts, adjust the vertical angle and tighten all bolts.

Downfill Applications

The TCS62 can be mounted underneath a TCS122 or TCS152 cabinet to provide downfill coverage using the TCS62-SB swivel bracket. First disassemble the swivel bracket into its component parts. Remove the countersunk bolts from the bottom panel of the TCS152 cabinet and fit the section with the elongated holes using the fixings supplied. Remove the countersunk bolts on the top panel and fit the swivel bracket using the supplied fixings. Re-assemble the swivel bracket, angle as appropriate and tighten all fixings.



To install the TCS62 in a ceiling-mount application, separate the component parts as above, and fix the top section to the ceiling with appropriate fixings (not supplied). Fit the other half to the TCS62 cabinet, re-assemble the bracket, angle as appropriate and tighten all fixings.

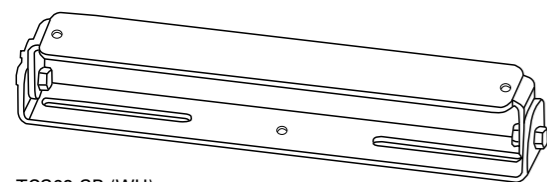
Loudspeaker Arrays and Clusters

An array of two or more cabinets requires the use of kits of flyplates and inter-cabinet couplers, which are fixed to the cabinet sides through the M10 rigging points and assembled together in a 'daisy chain' fashion to build up the required array. For all loudspeaker arrays consisting of two or more cabinets:

The number of inter cabinet coupler kits required = the number of boxes – 1, The number of flyplate kits required = the number of boxes.

EN

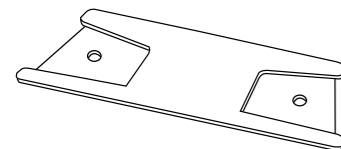
Illustrated here are the components parts available for TCS cabinets:



TCS62-SB (WH)
Swivel bracket for TCS62

Contents:

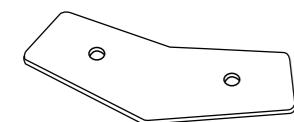
- 1 x Bracket
- 2 x M8 Bolts
- 2 x M8 Spring Washers
- 2 x M8 Flat Washers
- 2 x M10 Bolts
- 2 x M10 Spring Washers
- 2 x M10 Flat Washers



TCS122-FP (WH)
Fly Plate Kit for TCS122

Contents:

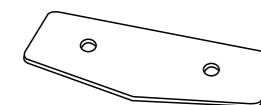
- 2 x Fly Plates
- 4 x M10 Bolts
- 4 x M10 Spring Washers
- 4 x M10 Flat Washers



TCS-FK1 (WH)
Inter-Cabinet Coupler Kit for TCS122 or TCS152

Contents:

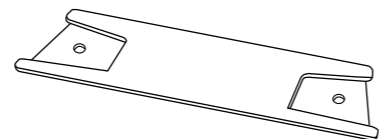
- 2 x ICC



TCS-FK2 (WH)
Inter-Cabinet Coupler Kit for TCS122 or TCS152

Contents:

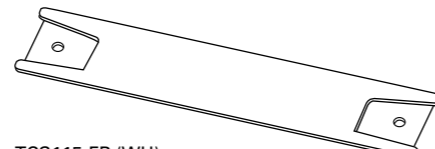
- 2 x ICC



TCS152-FP (WH)
Fly Plate Kit for TCS152

Contents:

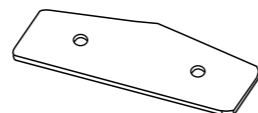
- 2 x Fly Plates
- 4 x M10 Bolts
- 4 x M10 Spring Washers
- 4 x M10 Flat Washers



TCS115-FP (WH)
Fly Plate Kit for TCS115B

Contents:

- 2 x Fly Plates
- 4 x M10 Bolts
- 4 x M10 Spring Washers
- 4 x M10 Flat Washers



TCS-FK3 (WH)
Inter-Cabinet Coupler Kit for TCS115B

Contents:

- 2 x ICC



EB-10-40
Eyebolt M10 x 40mm

Contents:

- 1 x Eyebolt

EN

Suspending with Eyebolts

TCS cabinets can be suspended using optional eyebolts coupled to the internal rigging points provided on the top, bottom and sides and back. The simplest method is to use the two rigging points on the top and a single pull-back rigging point in the centre of the rear panel.

Remove the appropriate countersunk screws and replace them with shoulder eyebolts, which must have a thread length of at least 18 mm. Use the rear rigging point to angle the cabinet for optimum room coverage. Cabinets may be hung upside down if required.

IMPORTANT NOTE FOR ALL INSTALLATION METHODS: The mounting of a permanently installed sound system may be dangerous unless undertaken by qualified personnel with the required experience and certification to perform the necessary tasks. Walls, floors or ceilings must be capable of safely and securely supporting the actual load. The mounting accessory used must be safely and securely fixed both to the loudspeaker and to the wall, floor or ceiling.

When mounting rigging components on walls, floors or ceilings, ensure that all fixings and fasteners used are of an appropriate size and load rating. Wall and ceiling claddings, and the construction and composition of walls and ceilings, all need to be taken into account when determining whether a particular fixing arrangement can be safely employed for a particular load. Cavity plugs or other specialist fixings, if required, must be of an appropriate type, and must be fitted and used in accordance with the maker's instructions.

The operation of your speaker cabinet as part of a flown system, if installed incorrectly and improperly, can potentially expose persons to serious health risks and even death. In addition, please ensure that electrical, mechanical and acoustic considerations are discussed with qualified and certified (by local state or national authorities) personnel prior to any installation or flying.

Make sure that speaker cabinets are set up and flown by qualified and certified personnel only, using dedicated equipment and original parts and components delivered with the unit. If any parts or components are missing please contact your Dealer before attempting to set up the system.

Be sure to observe the local, state and other safety regulations applicable in your country. MUSIC Group, including the MUSIC Group companies listed on the enclosed "Service Information Sheet", assumes no liability for any damage or personal injury resulting from improper use, installation or operation of the product. Regular checks must be conducted by qualified personnel to ensure that the system remains in a secure and stable condition. Make sure that, where the speaker is flown, the area underneath the speaker is free of human traffic. Do not fly the speaker in areas that can be entered or used by members of the public.

Speakers create a magnetic field, even if not in operation. Therefore, please keep all materials that can be affected by such fields (discs, computers, monitors, etc) at a safe distance. A safe distance is usually between 1 and 2 metres.

