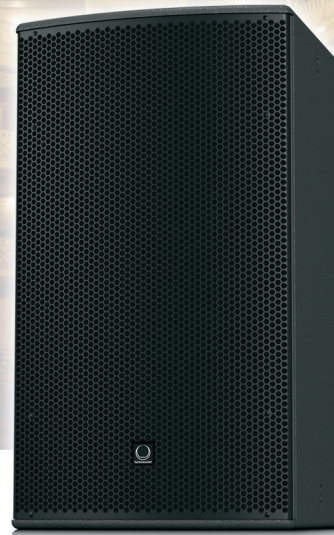


## Install Speakers

# ATHENS TCS115B-AN

3000 Watt 15" Front Loaded Subwoofer with KLARK TEKNIK DSP Technology and ULTRANET Networking

- Front loaded powered subwoofer for portable PA applications
- 3,000 Watt power featuring KLARK TEKNIK Class-D technology
- KLARK TEKNIK Digital Signal Processing for total system control
- ULTRANET digital audio networking connects to mixers and other sources
- Double suspension 15" low frequency driver with inside/outside wound coil
- Fully featured user interface with LCD display for ease of navigation
- PC remote control software downloadable at [turbosound.com](http://turbosound.com)
- Low distortion bass reflex port design
- 15 mm (5/8") birch plywood enclosure with hard wearing semi matt black paint finish
- Architecturally styled powder coated perforated steel mesh grille
- Multiple internal rigging points allow bracket mount and suspension in any orientation
- Mains input on Neutrik powerCON\* connector
- 3-Year Warranty Program\*
- Designed and engineered in England



The TCS115B-AN is a 3,000 Watt 15" front loaded powered subwoofer with digital networking ideally suited for a wide range of fixed installation and portable PA applications. Designed to work individually without a controller or additional amplification, the TCS115B-AN provides optimal low frequency reinforcement when used in conjunction with all TCS Series loudspeakers.



A bass reflex port design enclosure, with a high power, double suspension 15" low frequency driver that utilizes a specialised voice coil wound on both the inside and outside of the coil former for higher magnetic density, better heat dissipation, higher power handling capacity, and improved efficiency.

Output power for the TCS115B-AN is provided by means of an efficient and lightweight KLARK TEKNIK 3,000-Watt Class-D power amplifier. A sophisticated, but easy to use KLARK TEKNIK Digital Signal Processor (DSP) provides dynamic EQ for impressive full range response at low volume levels, and transparent limiting for clarity at high output levels – and long-term reliability.

On the rear panel of the amplifier module, the user interface's LCD display and single rotary encoder provides intuitive access to array, position and user EQ, control, and signal routing features. Input is via a combination balanced XLR/jack input, and an XLR output is provided for daisy-chaining more active loudspeakers or for use with another powered subwoofer.

\*All third-party trademarks are the property of their respective owners. Their use neither constitutes a claim of the trademark nor affiliation of the trademark owners with MUSIC Group. Product names are mentioned solely as a reference for compatibility, effects and/or components. Warranty details can be found at [music-group.com](http://music-group.com).

Install Speakers

# ATHENS TCS115B-AN

3000 Watt 15" Front Loaded Subwoofer  
with KLARK TEKNIK DSP Technology and  
ULTRANET Networking

ULTRANET connectivity is provided by two locking etherCON\* connectors. Up to 16 independent channels of 24-bit digital audio and control data are transmitted via a single CAT5 cable between compatible digital devices – including mixers, I/O stage boxes, powered loudspeakers and personal monitoring systems. Simplified cable routing and ease of setup translate directly into significant time saved during installation.

Finished in a highly durable semi matt black paint, the cabinet is constructed from 15 mm (5/8") birch plywood – and includes a rugged powder coated perforated steel mesh grille backed with reticulated foam. Multiple internal rigging points allow bracket mount and suspension in any orientation. A dedicated range of fly plates and coupler kits are also available separately for constructing tightly packed custom full-range and subwoofer enclosure arrays for aesthetically pleasing and venue specific coverage requirements. Mains power input is provided via a Neutrik powerCON\* connector.



### You Are Covered

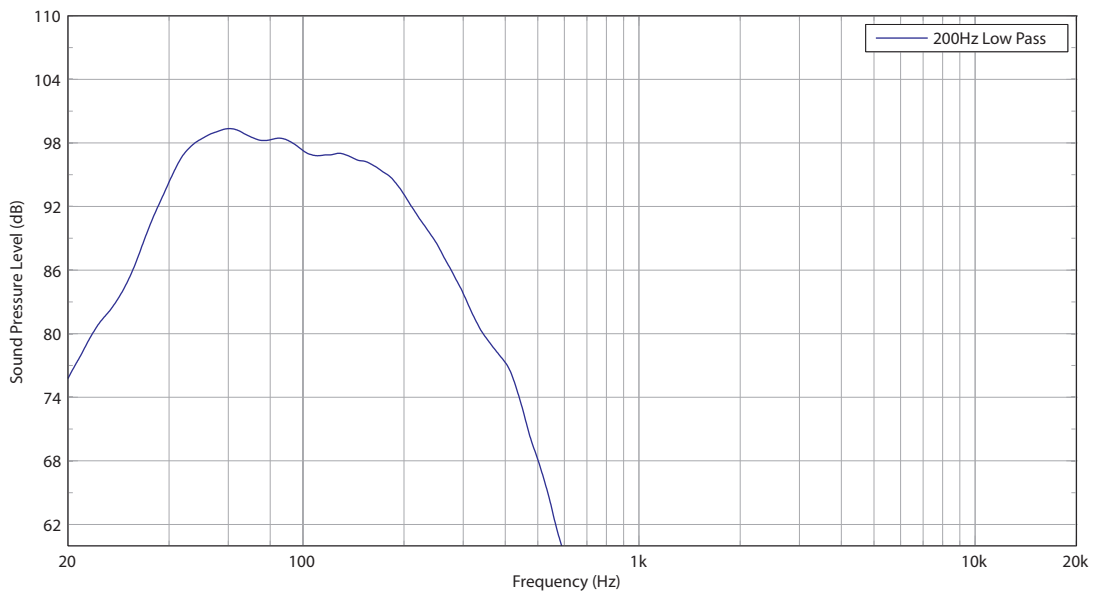
We always strive to provide the best possible Customer Experience. Our products are made in our own MUSIC Group factory using state-of-the-art automation, enhanced production workflows and quality assurance labs with the most sophisticated test equipment available in the world. As a result, we have one of the lowest product failure rates in the industry, and we confidently back it up with a generous [3-Year Warranty program](#).

Install Speakers

# ATHENS TCS115B-AN

3000 Watt 15" Front Loaded Subwoofer  
with KLARK TEKNIK DSP Technology and  
ULTRANET Networking

## Frequency Response Sensitivity 1 W / 1 m

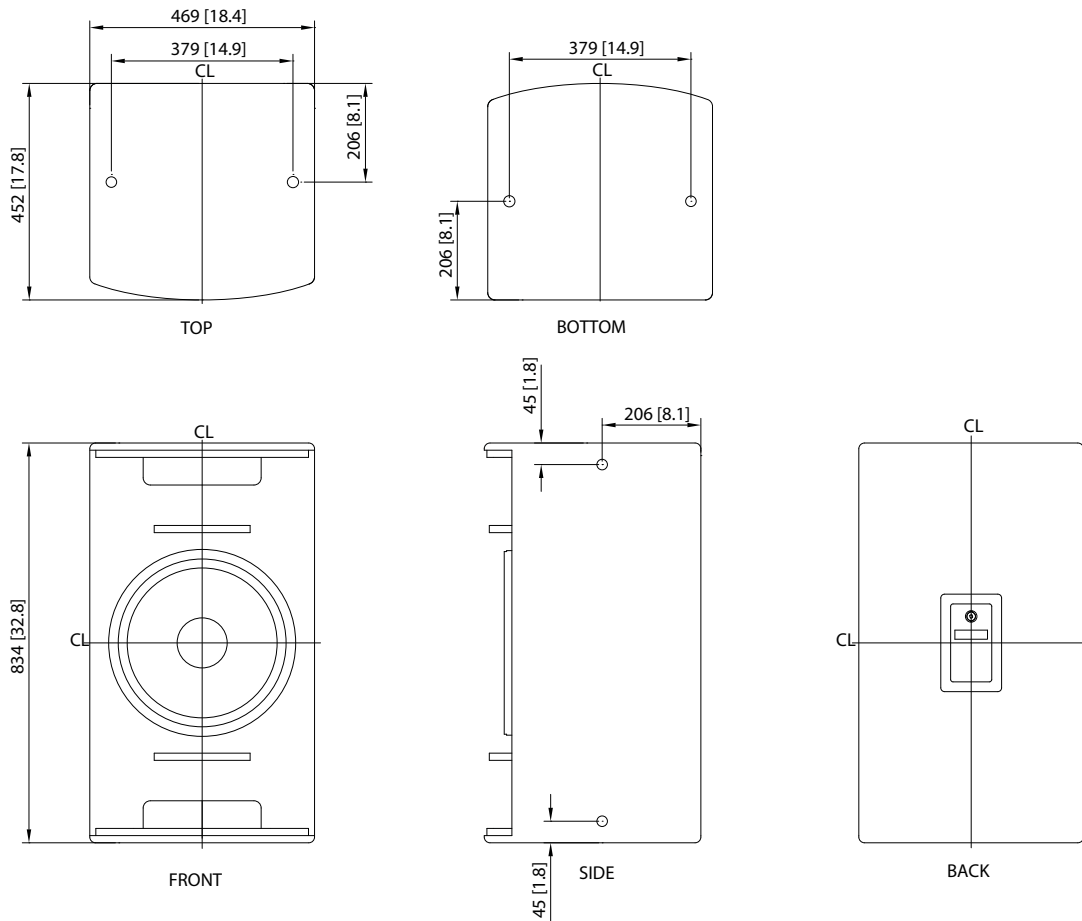


## Install Speakers

# ATHENS TCS115B-AN

3000 Watt 15" Front Loaded Subwoofer  
with KLARK TEKNIK DSP Technology and  
ULTRANET Networking

## Dimensions



## Install Speakers

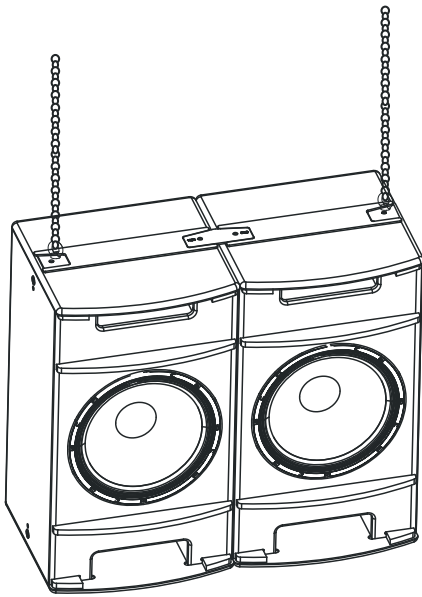
# ATHENS TCS115B-AN

3000 Watt 15" Front Loaded Subwoofer  
with KLARK TEKNIK DSP Technology and  
ULTRANET Networking

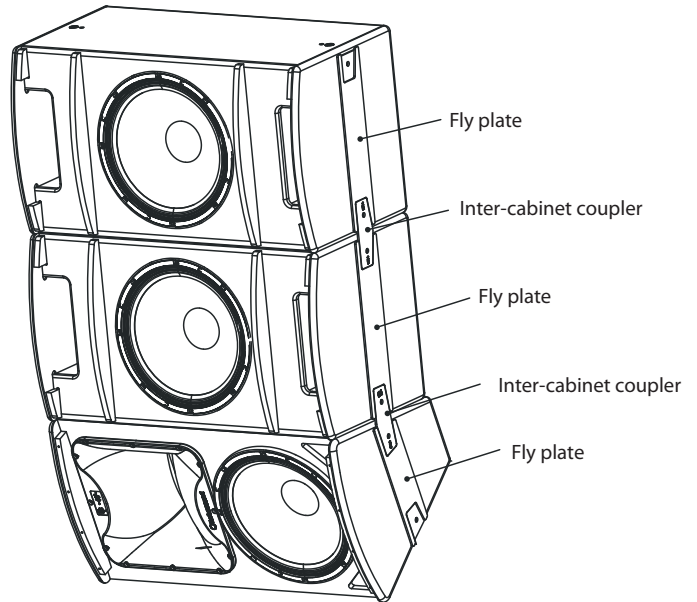
## Mounting and Rigging

The cabinet is fitted with M10 x 8 internally-threaded rigging points that allow it to be rigged with optional shoulder eyebolts and mounted in many different configurations in permanent installations.

An array of two or more cabinets can be configured using optional **TURBOSOUND** flyplates and inter-cabinet couplers. These are fixed to the cabinet sides through the M10 rigging points, and assembled together in a 'daisy chain' fashion to build up the required array.



Horizontal pair using fly plates and inter-cabinet couplers on top and bottom



Vertical array using fly plates and inter-cabinet couplers, on left and right

## Install Speakers

# ATHENS TCS115B-AN

3000 Watt 15" Front Loaded Subwoofer  
with KLARK TEKNIK DSP Technology and  
ULTRANET Networking

## Technical Specifications

### System

Frequency response	45 Hz – 150 Hz $\pm$ 3 dB 40 Hz – 200 Hz -10 dB
Nominal dispersion	Half Space
Maximum SPL	133 dB peak
Crossover type	Active
Transducers	1 x 15" (387 mm) LF driver/
Limiter	Peak and rms

### Amplifier

Maximum output power*	3000 W
Type	Class-D
Protection	Short circuit, thermal

### Connectors

Input/link	1 x Combo Jack/XLR 1 x XLR
Sensitivity	+4dBu or +14 dBu software switchable
Input impedance	40 k $\Omega$ balanced
Maximum input level	+22 dBu
Ultranet input/link	2 x RJ45
Mains supply	Neutrik powerCON 20At

### Controls

DSP	Rotary push-encoder and level control Buttons for Process, Setup, Exit, Enter
-----	----------------------------------------------------------------------------------

### User DSP Functions

Factory EQ presets	Positioning, Sound mode
Display	LCD 128 x 32, blue, backlit
Delay	0 - 300 ms
Equalisation	High and low shelving EQ 2 x parametric EQ
Limiter	Zero attack input limiter
Presets	20 total presets, 19 user-definable
Crossover	Low Pass L-R 24 dB/oct
Protection	Lock-out function for all settings

### Ultranet Digital Network

Digital processing	
A/D conversion	24-bit, 44.1/48kHz sample rate
Converter type	24-bit, delta-sigma
System	
Signal	16 channels
Latency	< 0.9 ms
Frequency response	20 Hz to 20 kHz (+0 / -3 dB)
Dynamic range	typical 92 dB
Cabling	
Cables	Shielded CAT5
Cable length	max. 246 ft / 75 m recommended

## Install Speakers

# ATHENS TCS115B-AN

3000 Watt 15" Front Loaded Subwoofer  
with KLARK TEKNIK DSP Technology and  
ULTRANET Networking

### Power Supply

<b>Power consumption</b>	180 W @ 1/8 max power
<b>Voltage (fuses)</b>	
USA / Canada	120 V~, 60 Hz (T 15 A H 250 V)
UK / Australia / Europe	220-240 V~, 50/60 Hz (T 10 A H 250 V)
Korea / China	220-240 V~, 50/60 Hz (T 10 A H 250 V)
Japan	100 V~, 50/60 Hz (T 15 A H 250 V)

### Enclosure

<b>Dimensions (H x W x D)</b>	834 x 469 x 452 mm (32.8 x 18.5 x 17.8")
<b>Net weight</b>	34.5 kg (75.9 lbs)
<b>Construction</b>	15 mm (5/8") Birch plywood
<b>Finish</b>	Semi matt black paint
<b>Grille</b>	Powder coated perforated steel
<b>Flying hardware</b>	M10 x 8

### Accessories

TCS115-FP (-WH) Fly plate kit for TCS115B

TCS-FK2 (-WH) Inter-cabinet coupler kit for TCS115B with TCS122 or TCS152

TCS-FK3 (-WH) Inter-cabinet coupler kit for TCS115B

\*independent of limiters and driver protection circuits

†Only qualified personnel are allowed to modify the AC-Main cord and to adhere to all applicable national standards.

## Install Speakers

# ATHENS TCS115B-AN

3000 Watt 15" Front Loaded Subwoofer  
with KLARK TEKNIK DSP Technology and  
ULTRANET Networking

## Architecture & Engineering Specifications

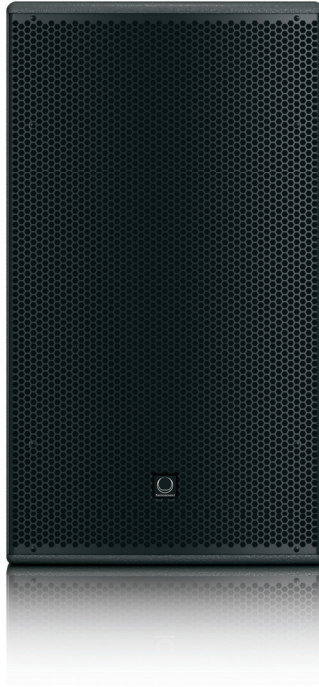
The loudspeaker shall be of the powered subwoofer type, consisting of one 15" (387 mm) LF driver. Performance specifications of a typical production unit shall meet or exceed the following: frequency response, measured with swept sine wave input, shall be flat within  $\pm 3$  dB from 45 Hz to 150 Hz and within -10 dB from 40 Hz to 200 Hz. Nominal dispersion shall be "half space." Maximum amplifier output power shall be 3000 Watts peak, independent of limiters and driver protection circuits. Maximum SPL (peak), measured at 1 metre with music program, shall be 133 dB. Dimensions: 834 mm high x 469 mm wide x 452 mm deep (32.9" x 18.5" x 17.8"). Net weight: 34.5 kg (75.9 lbs). The loudspeaker system shall be the **TURBOSOUND** TCS115B-AN. No other loudspeaker shall be acceptable unless submitted data from an independent test laboratory verifies that the above combined performance / size specifications are equalled or exceeded.



Install Speakers

# ATHENS TCS115B-AN

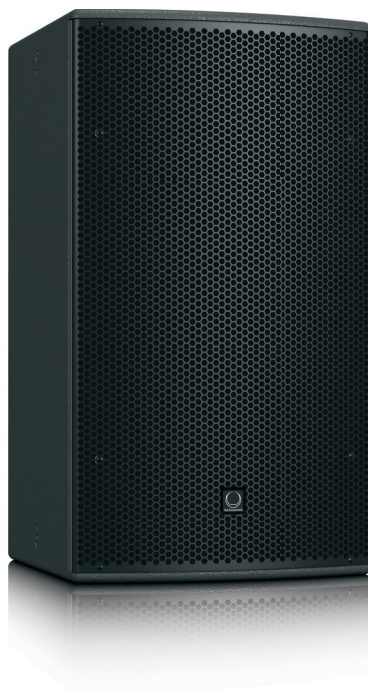
3000 Watt 15" Front Loaded Subwoofer  
with KLARK TEKNIK DSP Technology and  
ULTRANET Networking



Install Speakers

# ATHENS TCS115B-AN

3000 Watt 15" Front Loaded Subwoofer  
with KLARK TEKNIK DSP Technology and  
ULTRANET Networking



## Install Speakers

# ATHENS TCS115B-AN

3000 Watt 15" Front Loaded Subwoofer  
with KLARK TEKNIK DSP Technology and  
ULTRANET Networking



For service, support or more information contact the TURBOSOUND location nearest you:

**Europe**  
**MUSIC Group Services UK**  
Tel: +44 156 273 2290  
Email: CARE@music-group.com

**USA/Canada**  
**MUSIC Group Services NV Inc.**  
Tel: +1 702 800 8290  
Email: CARE@music-group.com

**Japan**  
**MUSIC Group Services JP K.K.**  
Tel: +81 3 6231 0454  
Email: CARE@music-group.com

MUSIC Group accepts no liability for any loss which may be suffered by any person who relies either wholly or in part upon any description, photograph, or statement contained herein. Technical specifications, appearances and other information are subject to change without notice. All trademarks are the property of their respective owners. MIDAS, KLARK TEKNIK, LAB GRUPPEN, LAKE, TANNÖY, TURBOSOUND, TC ELECTRONIC, TC HELICON, BEHRINGER, BUGERA and DDA are trademarks or registered trademarks of MUSIC Group IP Ltd.  
© MUSIC Group IP Ltd. 2016 All rights reserved.