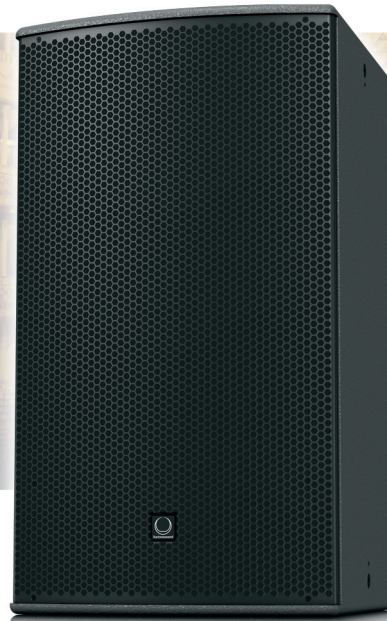


Install Speakers

ATHENS TCS115B

15" Front Loaded Subwoofer for
Installation Applications

- Front loaded subwoofer for installation applications
- 500 Watts continuous, 2,000 Watts peak power
- Double suspension 15" low frequency driver with inside/outside wound coil
- Low distortion bass reflex port design
- 15 mm (5/8") birch plywood enclosure with hard wearing semi matt black paint finish
- Architecturally styled powder coated perforated steel mesh grille
- Multiple internal rigging points allow bracket mount and suspension in any orientation
- Neutrik speakON* NL4 and barrier strip connectors
- 3-Year Warranty Program**
- Designed and engineered in England



The 2,000-Watt TCS115B is a front loaded 15" subwoofer system that is ideally suited for a wide range of speech and music sound reinforcement applications. Engineered to work in conjunction with TURBOSOUND loudspeaker management systems, the TCS115B provides optimal low frequency reinforcement when used in conjunction with all TCS Series loudspeakers.



A bass reflex port design enclosure, with a high power, double suspension 15" low frequency driver that utilizes a specialised voice coil wound on both the inside and outside of the coil former for higher magnetic density, better heat dissipation, higher power handling capacity, and improved efficiency. The rear panel connector plate carries Neutrik speakON* NL4 and barrier strip connectors for input and link connections to additional enclosures. The TCS115B subwoofer provides fast and accurate transient response for virtually distortion-free operation – even in the most demanding performances.

Finished in a highly durable semi matt black paint, the cabinet is constructed from 15 mm (5/8") birch plywood – and includes a rugged powder coated perforated steel mesh grille backed with reticulated foam. Internal M10 threaded rigging points are provided for suspension in any orientation. A dedicated range of fly plates and coupler kits are also available separately for constructing tightly packed custom full-range and subwoofer enclosure arrays for aesthetically pleasing and venue specific coverage requirements.

*All third-party trademarks are the property of their respective owners. Their use neither constitutes a claim of the trademark nor affiliation of the trademark owners with MUSIC Group. Product names are mentioned solely as a reference for compatibility, effects and/or components.

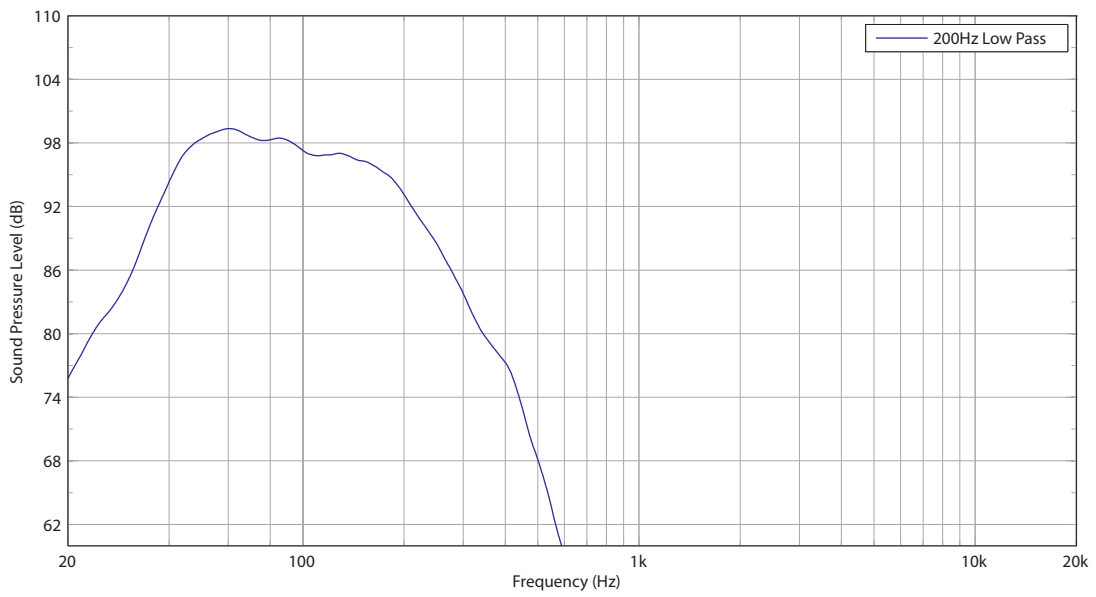
**Warranty details can be found at music-group.com.

Install Speakers

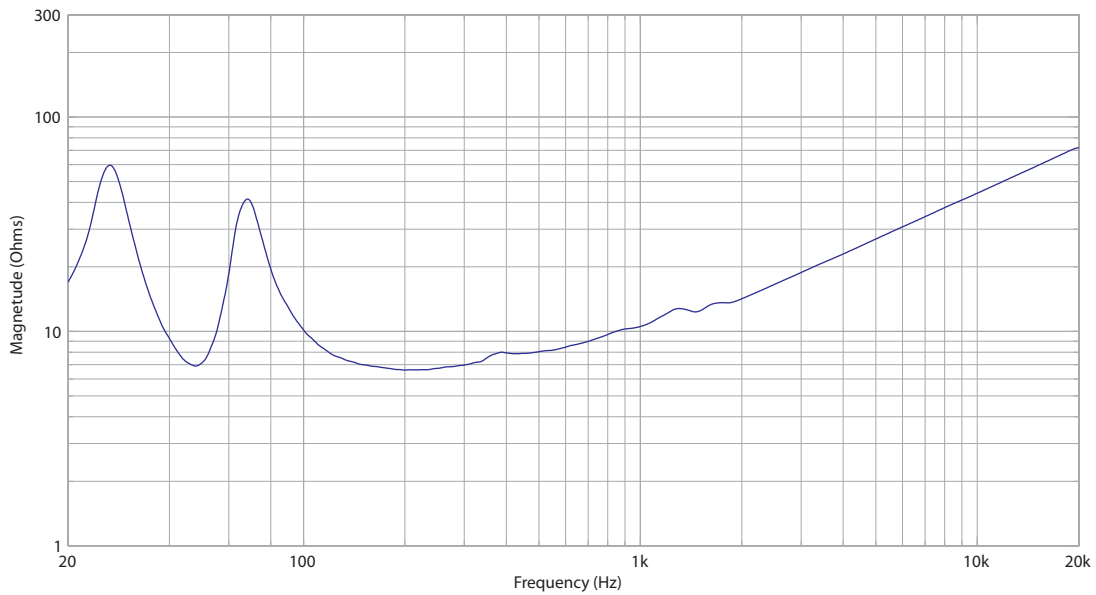
ATHENS TCS115B

15" Front Loaded Subwoofer for
Installation Applications

Frequency Response Sensitivity 1 W / 1 m



Impedance

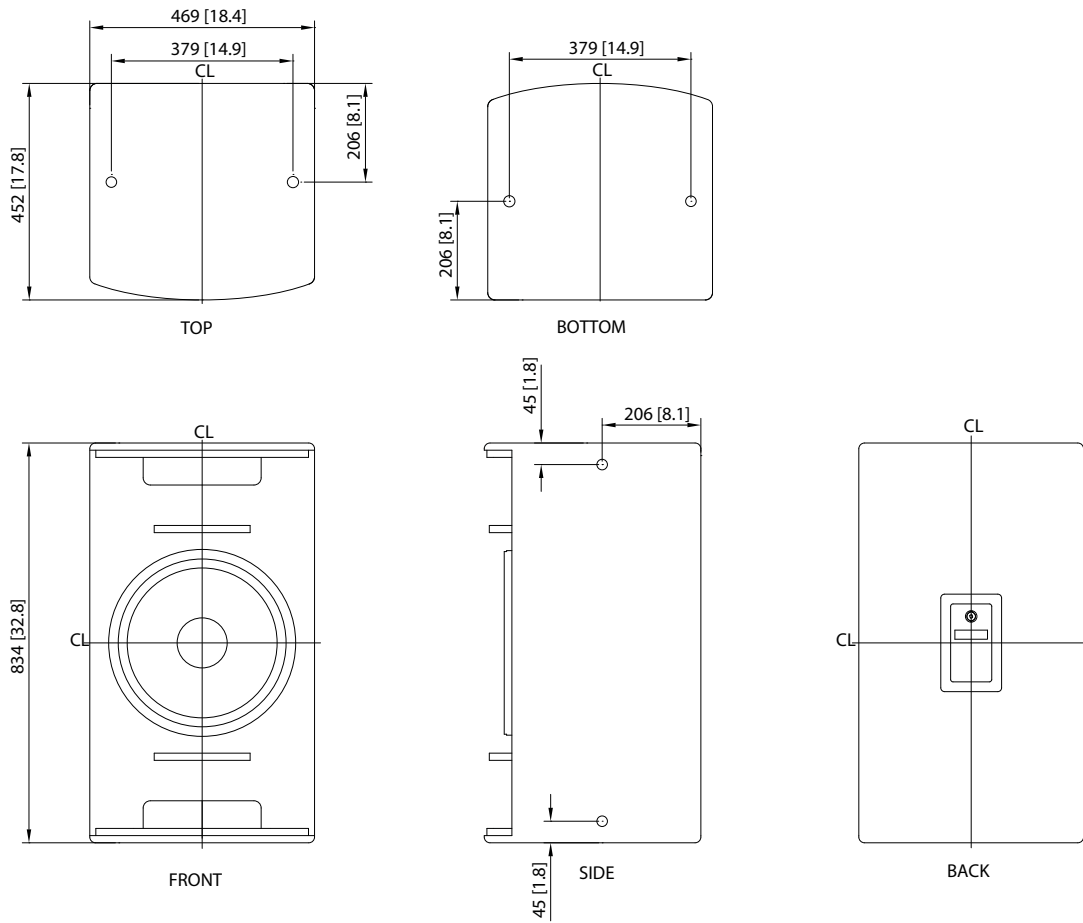


Install Speakers

ATHENS TCS115B

15" Front Loaded Subwoofer for
Installation Applications

Dimensions



Install Speakers

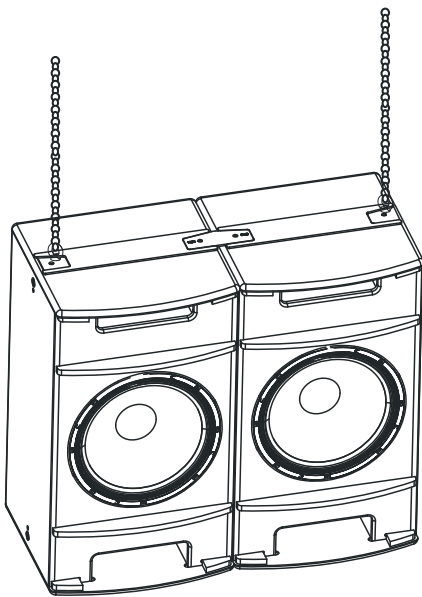
ATHENS TCS115B

15" Front Loaded Subwoofer for
Installation Applications

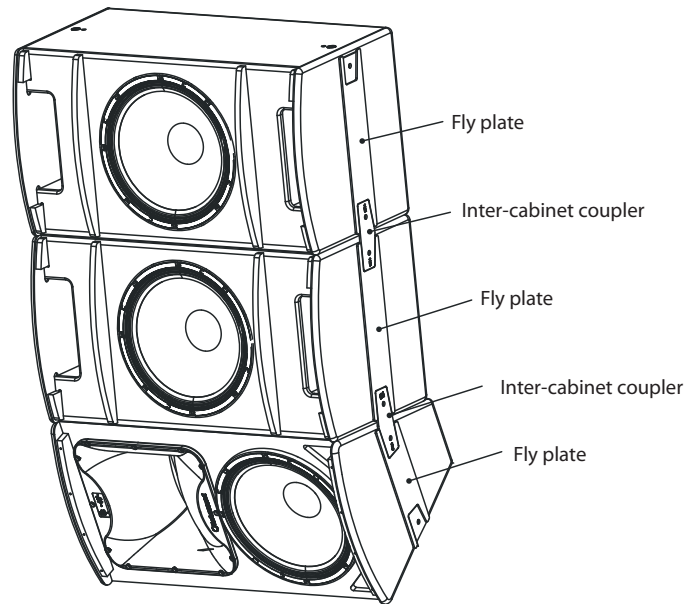
Mounting and Rigging

The cabinet is fitted with M10 x 8 internally-threaded rigging points that allow it to be rigged with optional shoulder eyebolts and mounted in many different configurations in permanent installations.

An array of two or more cabinets can be configured using optional Turbosound flyplates and inter-cabinet couplers. These are fixed to the cabinet sides through the M10 rigging points, and assembled together in a 'daisy chain' fashion to build up the required array.



Horizontal pair using fly plates and inter-cabinet couplers on top and bottom



Vertical array using fly plates and inter-cabinet couplers, on left and right

Install Speakers

ATHENS

TCS115B

15" Front Loaded Subwoofer for
Installation Applications

Technical Specifications

System

Frequency Response	45 Hz - 150 Hz \pm 3 dB 40 Hz - 200 Hz -10 dB
Nominal Dispersion	Half space
Power Handling (IEC)	500 W continuous, 2000 W peak
Sensitivity	97 dB (1 W @ 1 m)
Maximum SPL	124 dB continuous, 130 dB peak
Impedance	8 Ω
Components	1 x 15" (387 mm) LF driver

Enclosure

Connectors	1 x Neutrik speakON* NL4, 1 x Barrier strip terminals
Wiring	Parallel / No switch
	Pins 1+ / 1- input, pins 2+ / 2- link
Dimensions (HWD)	834 x 469 x 452 mm (32.9 x 18.5 x 17.8")
Net Weight	32.7 kg (72.0 lbs)
Construction	15 mm (5/8") birch plywood
Finish	Semi matt black paint
Grille	Powder-coated perforated steel
Flying Hardware	M10 x 8

Accessories

TCS115-FP (WH) fly plate kit for TCS115

TCS-FK2 (WH) inter-cabinet coupler kit for TCS115B with TCS122 or TCS152

TCS-FK3 (WH) inter-cabinet coupler kit for TCS115B

Install Speakers

ATHENS TCS115B

15" Front Loaded Subwoofer for
Installation Applications

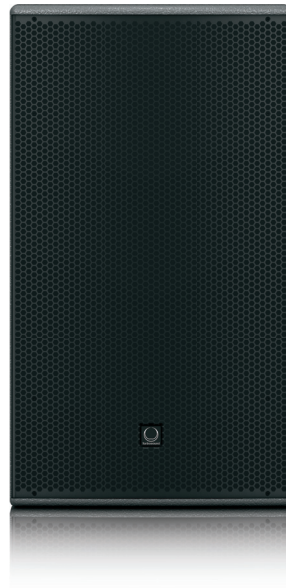
Architecture & Engineering Specifications

The speaker shall be of the passive subwoofer type consisting of one 15" (387 mm) LF driver. Performance specifications of a typical production unit shall meet or exceed the following: frequency response, measured with swept sine wave input, shall be flat within ± 3 dB from 45 Hz to 150 Hz and within -10 dB from 40 Hz to 200 Hz. Nominal dispersion shall be "half space." Nominal impedance shall be 8 Ohms. Power handling shall be 500 Watts continuous, 2,000 Watts peak. Sensitivity, measured on axis, mean averaged over stated bandwidth, shall be 97 dB, 1 Watt @ 1 metre. Maximum SPL (peak), measured at 1 metre with music program at stated amplifier input, shall be 130 dB. Dimensions: 834 mm high x 469 mm wide x 452 mm deep (32.9" x 18.5" x 17.8"). Net weight: 32.7 kg (72.0 lbs). The loudspeaker system shall be the TURBOSOUND TCS115B. No other loudspeaker shall be acceptable unless submitted data from an independent test laboratory verifies that the above combined performance / size specifications are equaled or exceeded.

Install Speakers

ATHENS TCS115B

15" Front Loaded Subwoofer for
Installation Applications



Install Speakers

ATHENS TCS115B

15" Front Loaded Subwoofer for
Installation Applications



Install Speakers

ATHENS TCS115B

15" Front Loaded Subwoofer for
Installation Applications



For service, support or more information contact the TURBOSOUND location nearest you:

Europe
MUSIC Group Services UK
Tel: +44 156 273 2290
Email: CARE@music-group.com

USA/Canada
MUSIC Group Services NV Inc.
Tel: +1 702 800 8290
Email: CARE@music-group.com

Japan
MUSIC Group Services JP K.K.
Tel: +81 3 6231 0454
Email: CARE@music-group.com

MUSIC Group accepts no liability for any loss which may be suffered by any person who relies either wholly or in part upon any description, photograph, or statement contained herein. Technical specifications, appearances and other information are subject to change without notice. All trademarks are the property of their respective owners. MIDAS, KLARK TEKNIK, TURBOSOUND, BEHRINGER, BUGERA and DDA are trademarks or registered trademarks of MUSIC Group IP Ltd. © MUSIC Group IP Ltd. 2014 All rights reserved.