

## Touring Speakers

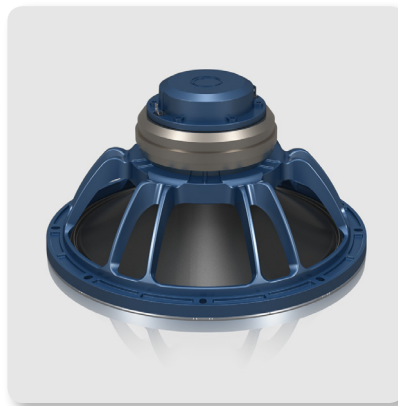
# BERLIN TBV118L

18" Front Loaded Subwoofer for Touring,  
Portable and Installation Applications



- Front loaded subwoofer for touring, portable and installation applications
- 700 Watts continuous, 2,800 Watts peak power
- Carbon fibre loaded 18" neodymium low frequency driver
- Dual voice coil design for high power capacity and extended low frequency output
- Low distortion bass reflex port design
- 18 mm (¾") plywood enclosure with hard wearing semi matt black paint finish
- Rugged powder coated perforated steel mesh grille
- Integral suspension hardware for efficient array configuration
- Multiple M10 mount points allow eyebolt suspension in any orientation
- 20 mm threaded pole mount to support satellite speaker
- Durable handles for easy lifting and carrying
- Switchable input and link connections for 4 core speaker cables

The TBV118L is a compact passive single 18" 2,800-Watt front-loaded subwoofer that is ideally suited for a broad range of speech and music sound reinforcement applications in both fixed, portable and touring audio systems. The TBV118L is designed to work in conjunction with LAKE DSP and LAB GRUPPEN amplification, providing optimal FOH performance, as well as considerable flexibility to readily adapt to varying venue requirements.



high and virtually distortion-free output for world-class low frequency performance that will stand the test of time.

### Custom-Engineered Drivers

TURBOSOUND is recognised the world over for designing and building some of the most iconic loudspeakers and subwoofers. We take meticulous care and pride in maintaining that reputation by utilising only drivers designed specifically for each application – it's what sets us apart from the competition.

The TBV118L features a high excursion 18" low frequency driver that utilises proprietary inside/outside wound voice coils for higher magnetic density, better heat dissipation, high power handling capacity and improved efficiency. For its size and operating bandwidth, the TBV118L delivers extremely

## Touring Speakers

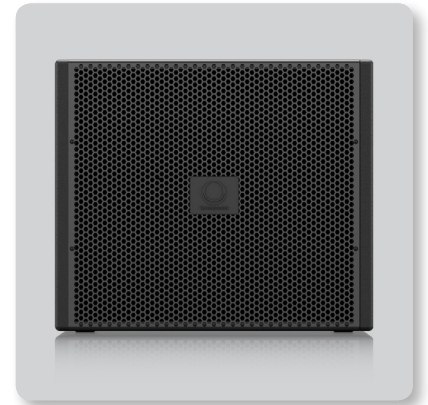
# BERLIN TBV118L

18" Front Loaded Subwoofer for Touring,  
Portable and Installation Applications

- Neutrik speakON\* NL4 connectors for reliable long life operation
- 3-Year Warranty Program\*
- Designed and engineered in the U.K.

## Front Loaded Enclosure Design

Front loaded enclosures provide an optimal combination of low frequency extension, bass articulation and temporal accuracy for high impact sound reinforcement applications. The low distortion bass reflex port design utilised in the TBV118L reinforces the bass musical instrument frequencies and steep cut-off slopes ensure an effective acoustic transition for use with TBV123 line array elements. For low-frequency bass extension, the recommended cabinet ratio consists of one TBV118L subwoofer per 3 TBV123 elements. For reverse cardioid subwoofer configurations, multiples of three TBV118L enclosures are recommended with two front-firing enclosures and one rear-firing enclosure.



## Construction and Connectivity

An integral suspension system engineered to meet BGV-C1 specifications is provided for suspending or ground stacking TBV118L and TBV123 elements with a 10:1 safety factor. Designed for speed and simplicity of use, custom-engineered flybars and wheel boards are available as separate accessories. Finished in hard wearing semi matt black paint, the cabinet is constructed from 18 mm (¾") birch plywood and includes a rugged powder coated perforated steel mesh grille backed with reticulated foam. The rear panel connector plate carries Neutrik speakON\* NL4 connectors for input and link connections to additional enclosures.

\*All third-party trademarks are the property of their respective owners. Their use neither constitutes a claim of the trademark nor affiliation of the trademark owners with MUSIC Group. Product names are mentioned solely as a reference for compatibility, effects and/or components. Warranty details can be found at [music-group.com](http://music-group.com).

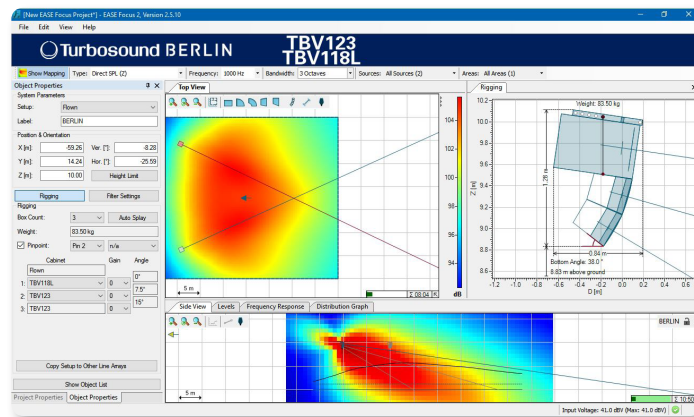
## Touring Speakers

# BERLIN TBV118L

18" Front Loaded Subwoofer for Touring,  
Portable and Installation Applications

## Acoustic Simulation Tools

EASE GLL files are provided for EASE Focus Acoustic Simulation Software, which is available for free download. This allows accurate calculation of both acoustic coverage and suspension pick point selection for tilting and aiming the array at the desired angle.



## You Are Covered

We always strive to provide the best possible Customer Experience. Our products are made in our own MUSIC Group factory using state-of-the-art automation, enhanced production workflows and quality assurance labs with the most sophisticated test equipment available in the world. As a result, we have one of the lowest product failure rates in the industry, and we confidently back it up with a generous 5-Year Warranty program.

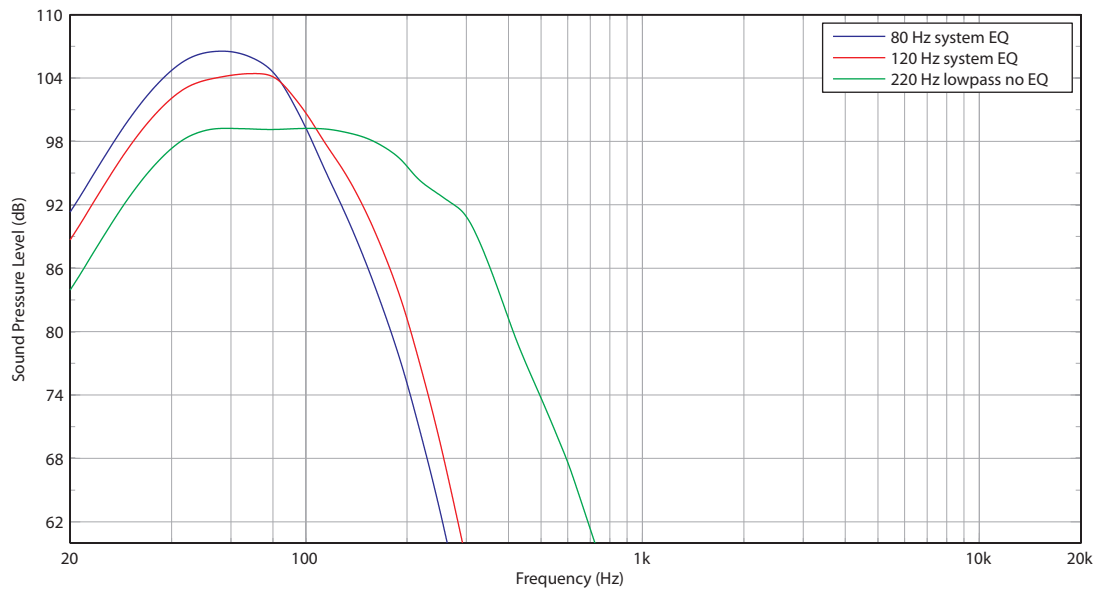


## Touring Speakers

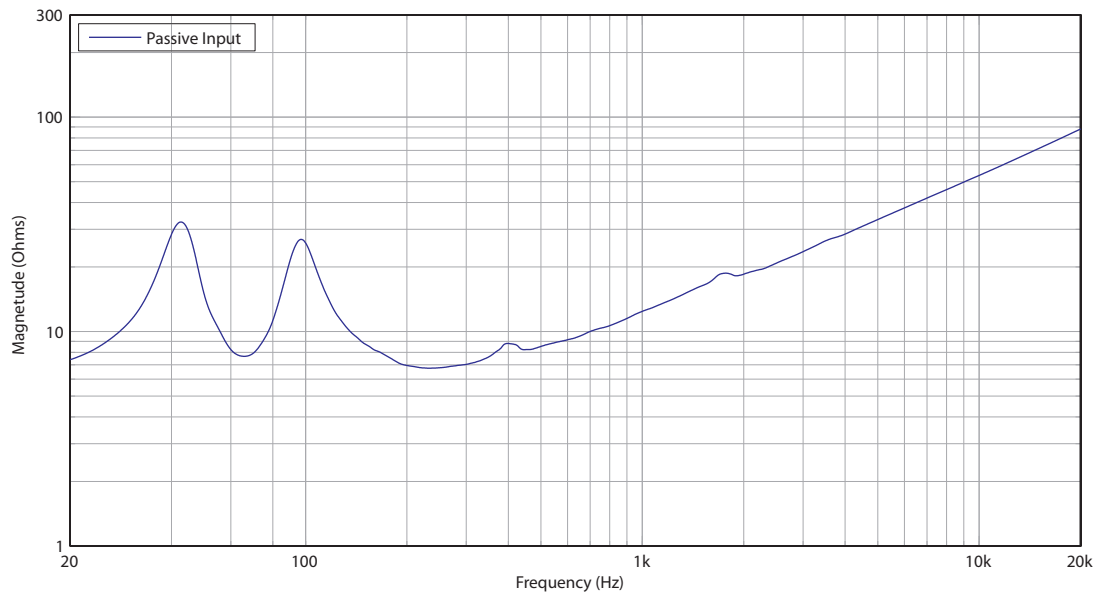
# BERLIN TBV118L

18" Front Loaded Subwoofer for Touring,  
Portable and Installation Applications

### Frequency Response Sensitivity 1 W / 1 m



### Impedance

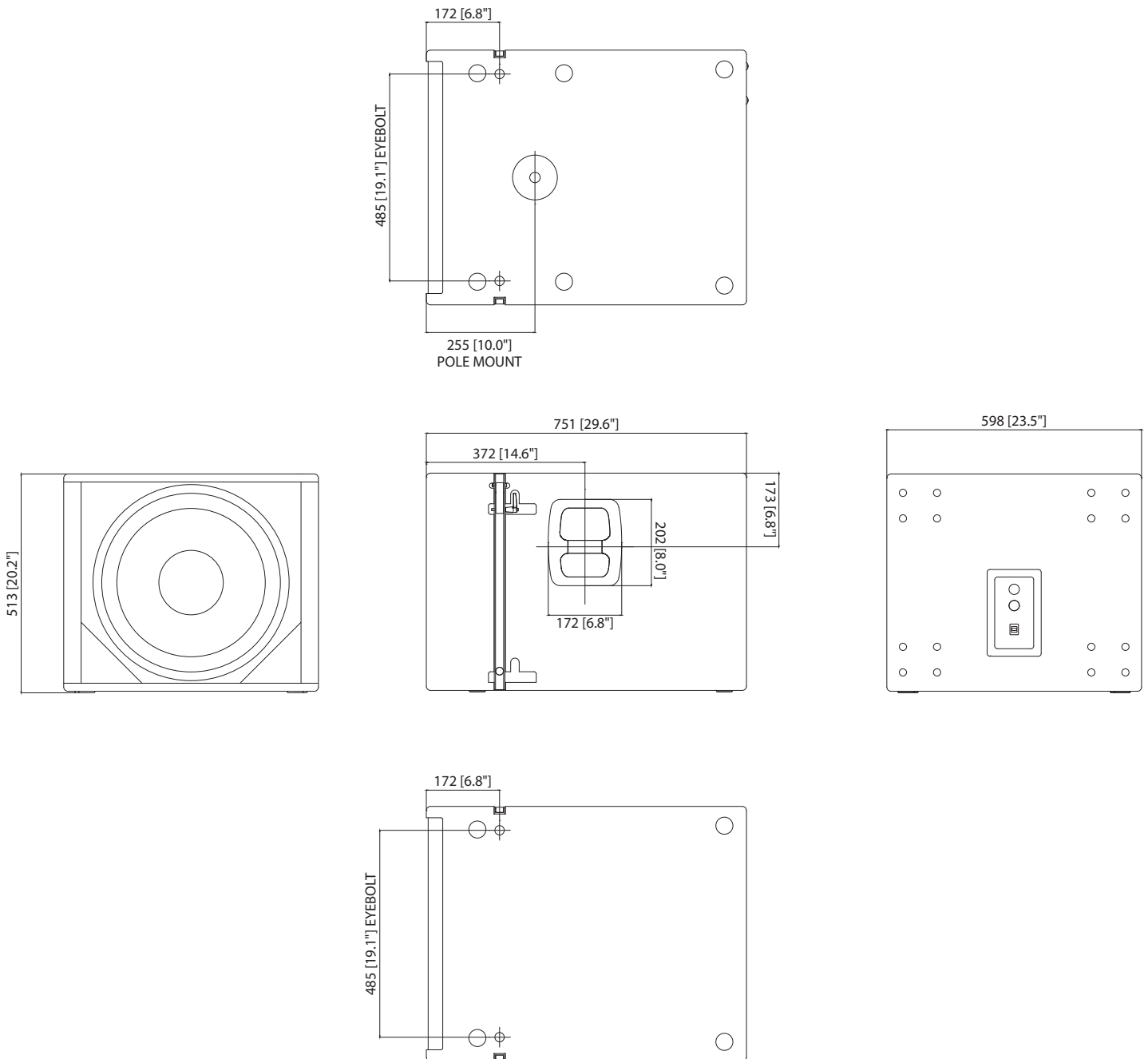


## Touring Speakers

# BERLIN TBV118L

18" Front Loaded Subwoofer for Touring,  
Portable and Installation Applications

## Dimensions



## Touring Speakers

# BERLIN

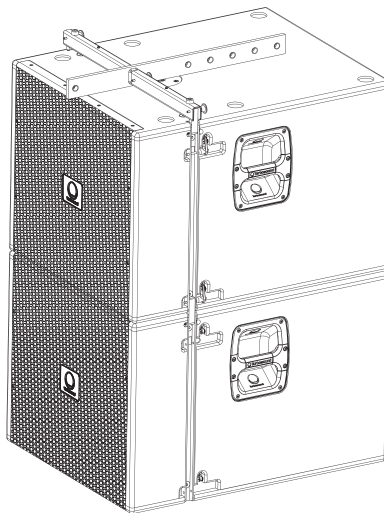
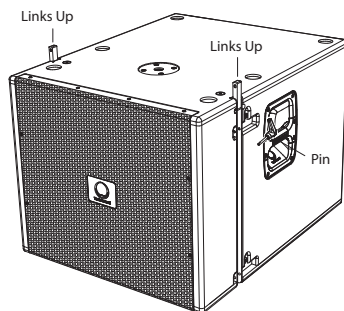
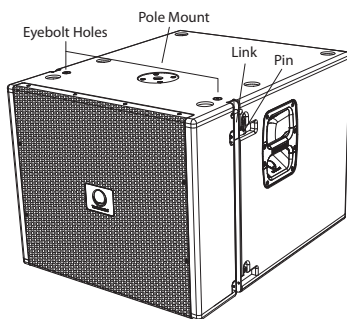
## TBV118L

18" Front Loaded Subwoofer for Touring,  
Portable and Installation Applications

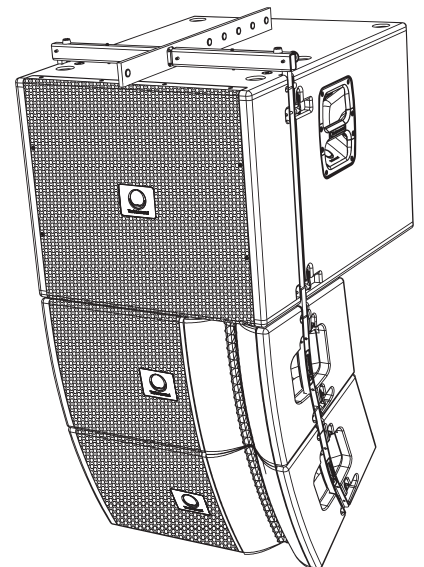
### Mounting and Rigging

**⚠ Safety Warning:** Only authorised and certified personnel shall design and install suspended or ground stack configurations, following the instructions and procedures in the TBV123-FB rigging manual supplied with the TBV123-FB flybar, or downloaded from [turbosound.com](http://turbosound.com). Failure to follow these instructions may lead to death or permanent injury. For maximum array sizes, weights and working load limits, please consult the TBV123-FB rigging manual.

The TBV118L cabinet has two retractable mounting links at the top, that allow it to be attached to a TBV123-FB flybar, or to another TBV118L subwoofer. Rigging pins are provided to secure the TBV118L subwoofer, TBV123 cabinets and TBV123-FB flybar together. Threaded eyebolt holes and pole mount holes are also present for more mounting options.



2 TBV118L subwoofers with a TBV123-FB flybar



Mixed array with a TBV123-FB flybar,  
TBV118L subwoofer, and 2 TBV123 cabinets

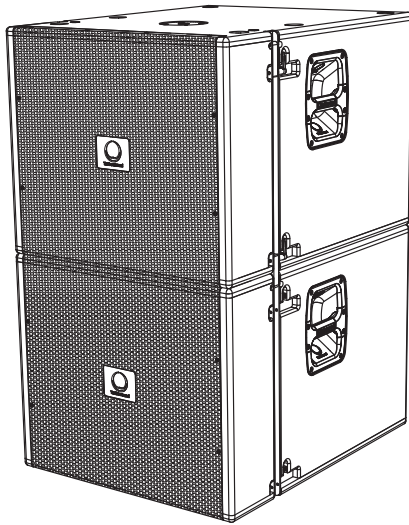


Touring Speakers

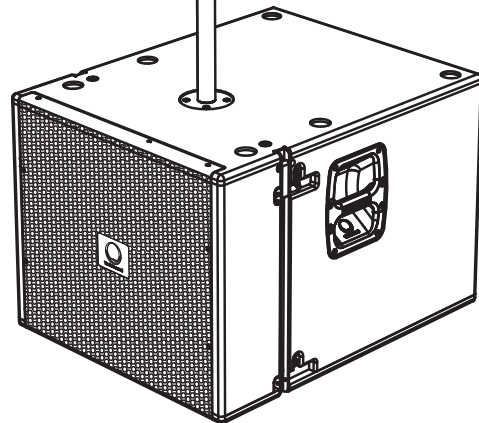
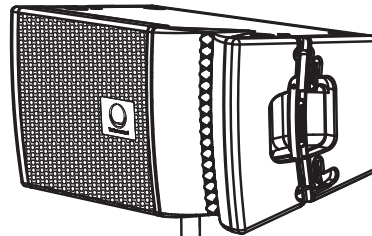
# BERLIN TBV118L

18" Front Loaded Subwoofer for Touring,  
Portable and Installation Applications

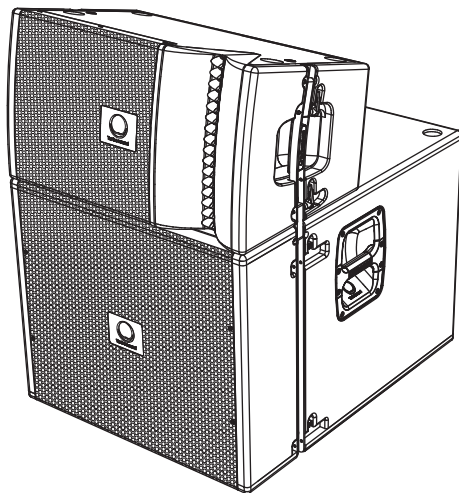
## Mounting and Rigging



TBV118L ground stack



TBV123 cabinet pole-mounted with a TBV118L subwoofer



TBV123 ground stack with a TBV118L subwoofer

## Touring Speakers

# BERLIN

## TBV118L

18" Front Loaded Subwoofer for Touring,  
Portable and Installation Applications

### Technical Specifications

#### System

Frequency Response	45 Hz - 200 Hz $\pm$ 3 dB 31 Hz - 300 Hz -10 dB
Nominal Dispersion	Half Space
Power handling (IEC)	700 W continuous, 2800 W peak
Sensitivity	99 dB (1 W @ 1 m)
Maximum SPL	127 dB continuous, 133 dB peak
Impedance	8 $\Omega$
Crossover Type	None
Components	1 x 18" (460 mm) LF driver

#### Enclosure

Connectors	2 x Neutrik speakON* NL4
Wiring	
Switch Position 1+ / 1-	Pins 1+ / 1- input, pins 2+ / 2- link
Switch Position 2+ / 2-	Pins 1+ / 1- link, pins 2+ / 2- input
Dimensions (H x W x D)	513 x 598 x 751 mm (20.2 x 23.5 x 29.6")
Net Weight	37.0 kg (81.6 lbs)
Construction	18 mm (¾") plywood
Finish	Semi matt black paint
Grille	Powder coated perforated steel
Suspension hardware	Integral Suspension System and M10 x 4 points

#### Accessories

TBV123-FB	Fly Bar
TBV118L-RC1	Road case for 1x TBV118L
TS-PC18B-3	Protective cover for 1x TBV118L
TPOLE 60-20	60 cm Lightweight Steel Pole with M20 Screw Attachment
TPOLE 90-20	90 cm Lightweight Steel Pole with M20 Screw Attachment
TPOLE 120-20	120 cm Lightweight Steel Pole with M20 Screw Attachment



## Touring Speakers

# BERLIN

# TBV118L

18" Front Loaded Subwoofer for Touring,  
Portable and Installation Applications

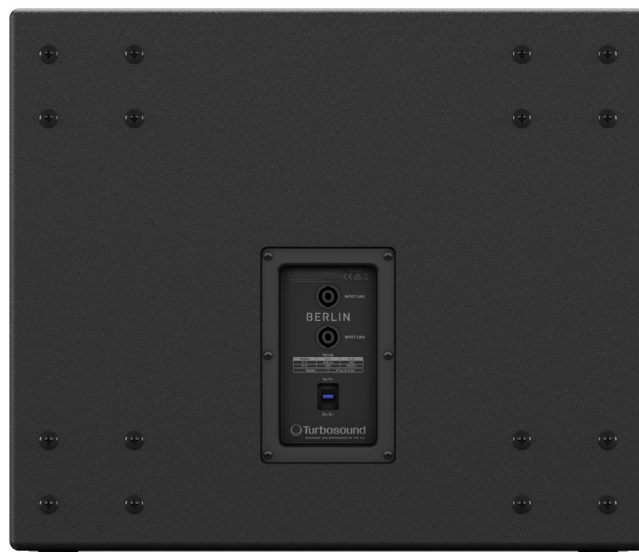
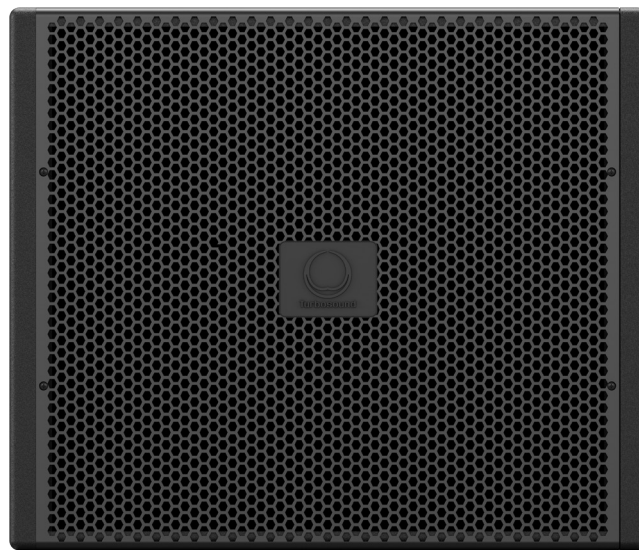
## Architecture & Engineering Specifications

The loudspeaker shall be of the passive subwoofer type, consisting of one 18" (460 mm) LF driver. Performance specifications of a typical production unit shall meet or exceed the following: frequency response, measured with swept sine wave input, shall be flat within  $\pm 3$  dB from 45 Hz to 200 Hz and within -10 dB from 31 Hz - 300 Hz. Nominal impedance shall be 8 Ohms. Power handling shall be 700 Watts continuous, 2,800 Watts peak. Sensitivity, measured on axis, mean averaged over the stated bandwidth, shall be 99 dB, 1 Watt @ 1 metre. Maximum SPL (peak), measured at 1 metre with music program at stated amplifier input, shall be 133 dB. Dimensions: 513 mm high x 598 mm wide x 751 mm deep (20.2 x 23.5 x 29.6"). Net weight: 37.0 kg (81.6 lbs). The loudspeaker system shall be the TURBOSOUND TBV118L. No other loudspeaker shall be acceptable unless submitted data from an independent test laboratory verifies that the above combined performance / size specifications are equaled or exceeded.

Touring Speakers

# BERLIN TBV118L

18" Front Loaded Subwoofer for Touring,  
Portable and Installation Applications



Touring Speakers

# BERLIN TBV118L

18" Front Loaded Subwoofer for Touring,  
Portable and Installation Applications



Touring Speakers

# BERLIN

## TBV118L

18" Front Loaded Subwoofer for Touring,  
Portable and Installation Applications



For service, support or more information contact the TURBOSOUND location nearest you:

**Europe**  
**MUSIC Group Services UK**  
Tel: +44 1562 547 100  
Email: CARE@music-group.com

**USA/Canada**  
**MUSIC Group Services NV Inc.**  
Tel: +1 702 963 1300  
Email: CARE@music-group.com

**Japan**  
**MUSIC Group Services JP K.K.**  
Tel: +81 3 5833 9121  
Email: CARE@music-group.com

MUSIC Group accepts no liability for any loss which may be suffered by any person who relies either wholly or in part upon any description, photograph, or statement contained herein. Technical specifications, appearances and other information are subject to change without notice. All trademarks are the property of their respective owners. MIDAS, KLARK TEKNIK, LAB GRUPPEN, LAKE, TANNØY, TURBOSOUND, TC ELECTRONIC, TC HELICON, BEHRINGER, BUGERA and DDA are trademarks or registered trademarks of MUSIC Group IP Ltd.  
© MUSIC Group IP Ltd. 2017 All rights reserved.