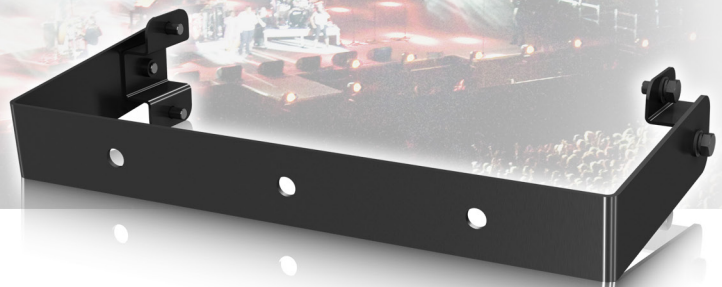


NuQ62-SB

Swivel Bracket for NuQ62 Loudspeakers



- Steel swivel bracket for NuQ62 loudspeakers
- Mounts 1 speaker to a wall
- Hard wearing semi matt black powder coat finish
- 10-Year Warranty Program*
- Designed and engineered in the U.K.

The NuQ62-SB is a matt black, powder coated swivel bracket specifically designed to hang the NuQ62 in standalone applications, such as ceiling mounting in bars or clubs, or as an under-balcony fill. The NuQ62-SB consists of: a pair of brackets that mount to the bottom and top of the loudspeaker; and a swivel bracket that fits onto the brackets. The screws can be tightened once the loudspeaker has been angled to achieve the desired coverage.



You Are Covered

We always strive to provide the best possible Customer Experience. Our products are made in our own MUSIC Tribe factory using state-of-the-art automation, enhanced production workflows and quality assurance labs with the most sophisticated test equipment available in the world. As a result, we have one of the lowest product failure rates in the industry, and we confidently back it up with a generous Warranty program.

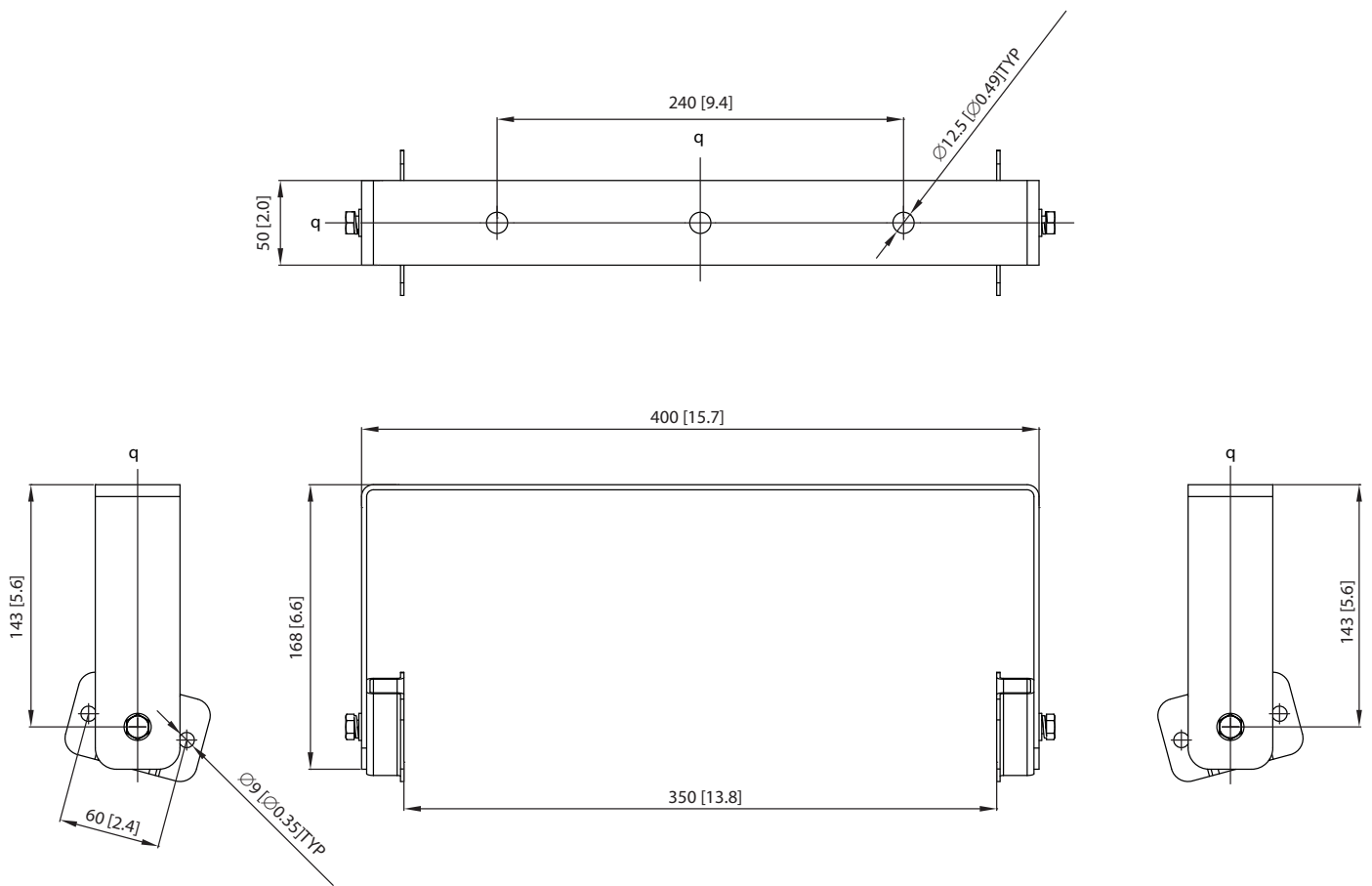


*Warranty details can be found at musictri.be.

NuQ62-SB

Swivel Bracket for NuQ62 Loudspeakers

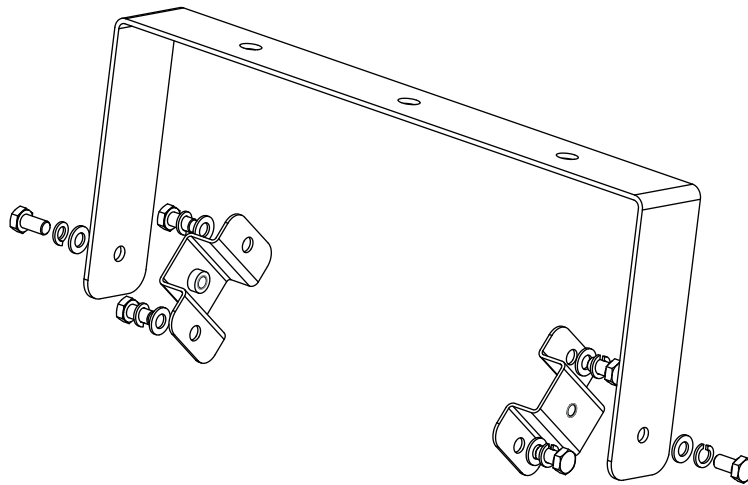
Dimensions



NuQ62-SB

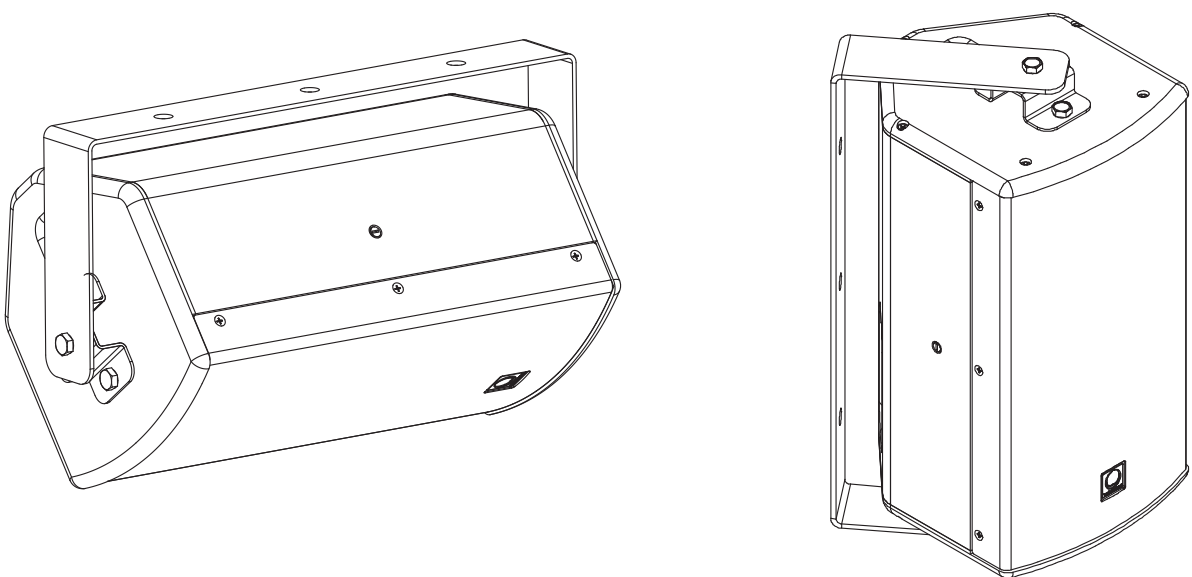
Swivel Bracket for NuQ62 Loudspeakers

Contents:



Mounting and Rigging

The NuQ62-SB swivel bracket allows the NuQ62 cabinet to be surface and scaffold mounted, and angled for optimum positioning and coverage.



NuQ62-SB

Swivel Bracket for NuQ62 Loudspeakers



NuQ62-SB

Swivel Bracket for NuQ62 Loudspeakers



For service, support or more information contact the TURBOSOUND location nearest you:

Europe
MUSIC Tribe Brands UK Ltd.
Tel: +44156 273 2290
Email: CARECrea@music-group.com
CAREEnte@music-group.com
CARELife@music-group.com

USA/Canada
MUSIC Tribe Commercial NV Inc.
Tel: +1 702 800 8290
Email: CARECrea@music-group.com
CAREEnte@music-group.com
CARELife@music-group.com

Japan
MUSIC Tribe Services JP K.K.
Tel: +81 3 6231 0453
Email: CARECrea@music-group.com
CAREEnte@music-group.com
CARELife@music-group.com

MUSIC Tribe accepts no liability for any loss which may be suffered by any person who relies either wholly or in part upon any description, photograph, or statement contained herein. Technical specifications, appearances and other information are subject to change without notice. All trademarks are the property of their respective owners. MIDAS, KLARK TEKNIK, LAB GRUPPEN, LAKE, TANNÖY, TURBOSOUND, TC ELECTRONIC, TC HELICON, BEHRINGER, BUGERA and COOLAUDIO are trademarks or registered trademarks of MUSIC Tribe Global Brands Ltd. © MUSIC Tribe Global Brands Ltd. 2018 All rights reserved.