

Portable Speakers

NuQ152-WH

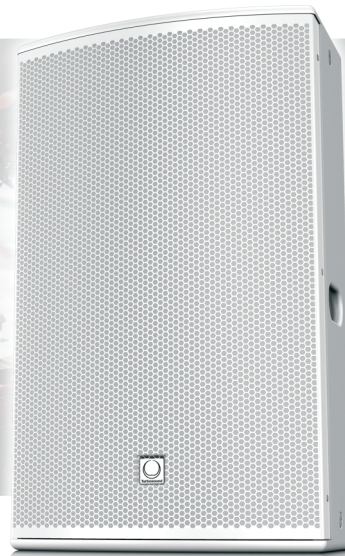
2 Way 15" Full Range Loudspeaker
for Portable PA and
Installation Applications (White)

- 2 way full range loudspeaker for portable PA and installation applications
- 500 Watts continuous, 2,000 Watts peak power
- Ideal for FOH, side fill and monitor applications
- Carbon fibre loaded 15" low frequency driver with inside/outside coil
- Aluminium dome 1" neodymium motor compression driver
- Low distortion waveguide provides 70° H x 70° V dispersion
- 15 mm (5/8") birch plywood enclosure with hard wearing semi matt white paint finish
- Rugged powder coated perforated steel mesh grille
- Integral 35 mm pole mount and handles
- Multiple internal rigging points allow bracket mount and suspension in any orientation
- Neutrik speakON* NL4 connectors for reliable long life operation
- 3-Year Warranty Program*
- Designed and engineered in England

The 2 way full range NuQ152-WH is a switchable passive/bi-amp 2,000 Watt 15" loudspeaker system ideally suited for a wide range of speech and music sound reinforcement applications. Engineered to work in conjunction with **TURBOSOUND** loudspeaker management systems, the NuQ152-WH provides optimal performance for FOH, sidefill and delay line loudspeakers, and is an exceptional choice for wedge monitoring applications. The symmetrical trapezoidal shape and high frequency dispersion pattern also make the NuQ152-WH an obvious choice for mirrored left/right monitor wedge placement.

The NuQ152-WH loudspeaker features a carbon fibre loaded 15" low frequency driver with an inside/outside wound low mass voice coil for improved transient response, and an aluminium dome 1" neodymium high frequency compression driver mounted on a 70° horizontal by 70° vertical dispersion low distortion waveguide. All drivers are matched with an internal passive crossover network in a reflex-loaded enclosure, and bi-amp mode can be enabled by means of a rear panel switch. The rear panel connector plate carries Neutrik speakON* NL4 connectors for input and link connections to additional enclosures.

Finished in a highly durable semi matt white paint, the cabinet is constructed from 15 mm (5/8") birch plywood – and includes a rugged powder coated perforated steel mesh grille backed with reticulated foam. Multiple threaded rigging points are provided for suspension in any orientation, or for mounting with industry standard wall brackets. An optional flying yoke allows for further flexibility in install applications (available separately). The NuQ152-WH also features a 35 mm socket for standard pole mounting – plus integrated handles for convenient transport.



Portable Speakers

NuQ152-WH

2 Way 15" Full Range Loudspeaker
for Portable PA and
Installation Applications (White)



You Are Covered

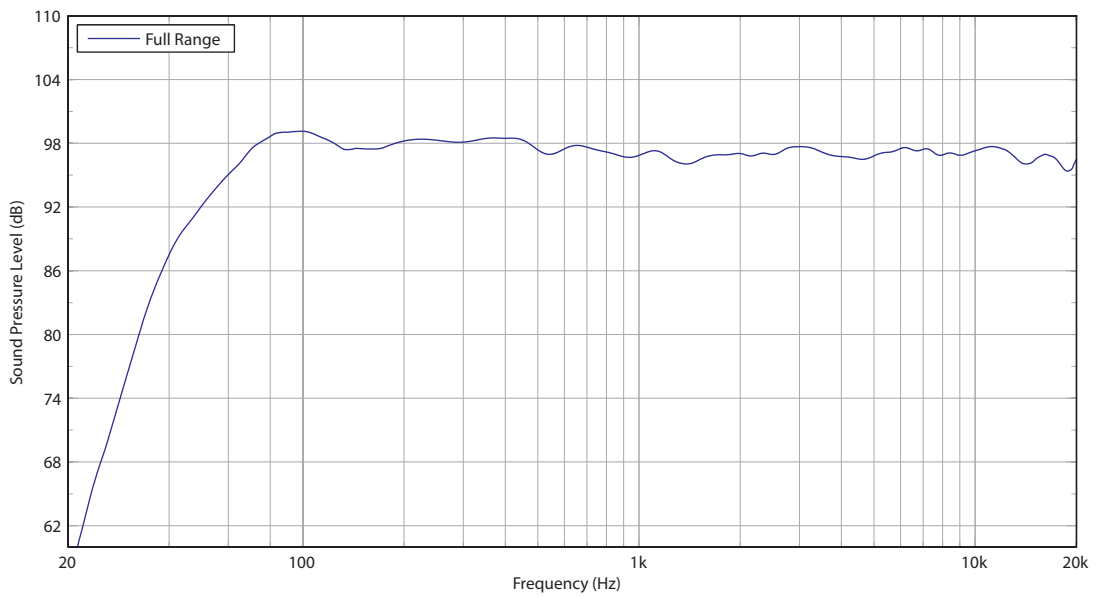
We always strive to provide the best possible Customer Experience. Our products are made in our own [MUSIC Group](#) factory using state-of-the-art automation, enhanced production workflows and quality assurance labs with the most sophisticated test equipment available in the world. As a result, we have one of the lowest product failure rates in the industry, and we confidently back it up with a generous [3-Year Warranty program](#).

Portable Speakers

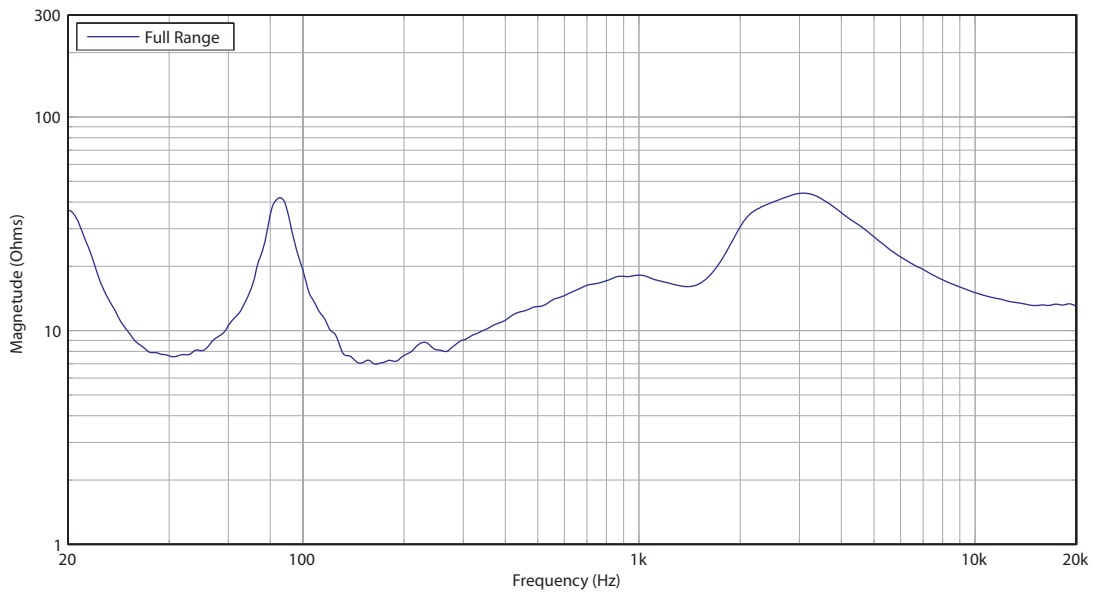
NuQ152-WH

2 Way 15" Full Range Loudspeaker
for Portable PA and
Installation Applications (White)

Frequency Response Sensitivity 1 W / 1 m



Impedance

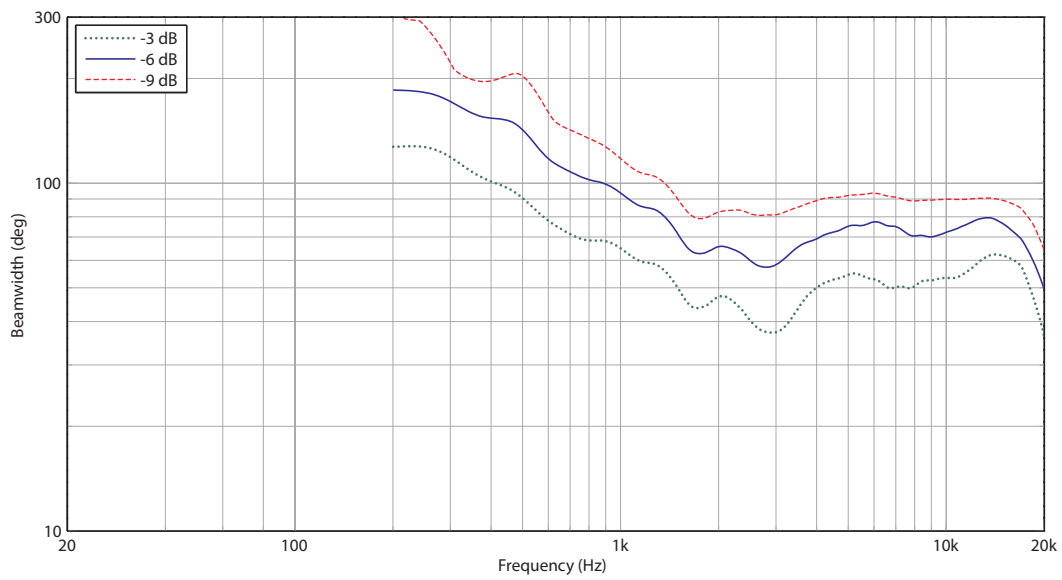


Portable Speakers

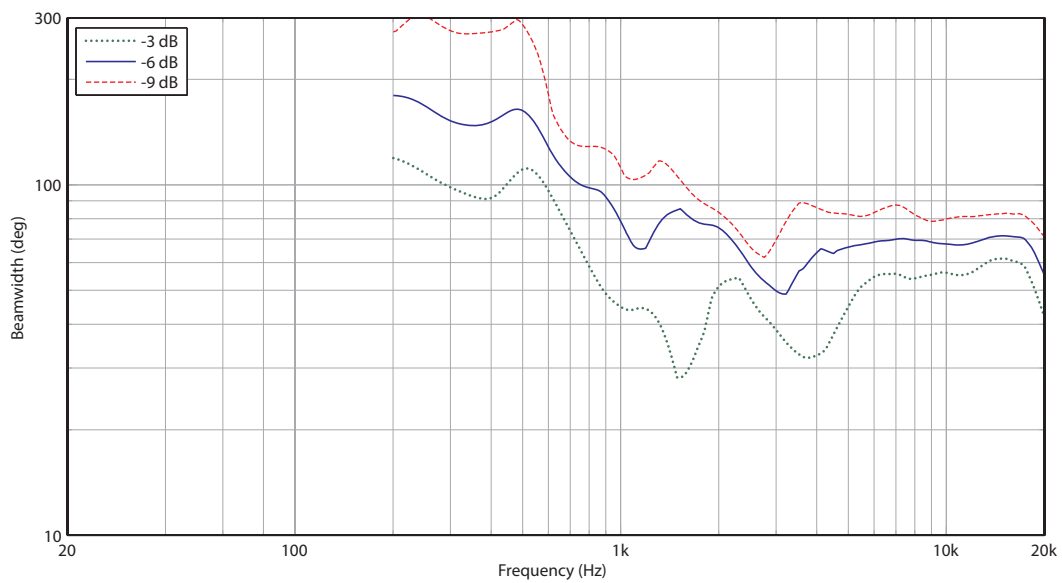
NuQ152-WH

2 Way 15" Full Range Loudspeaker
for Portable PA and
Installation Applications (White)

Horizontal Beamwidth



Vertical Beamwidth

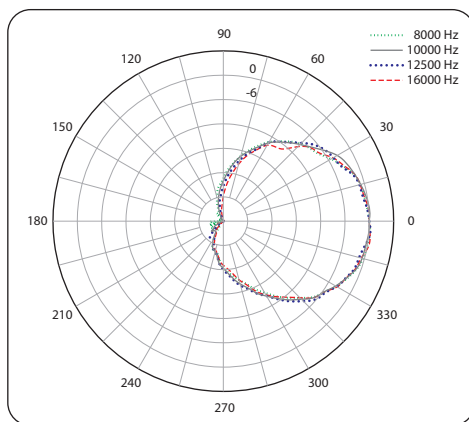
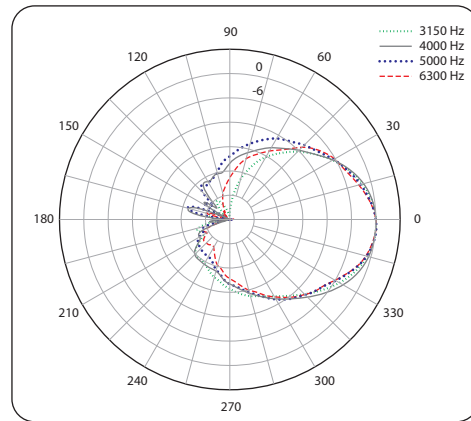
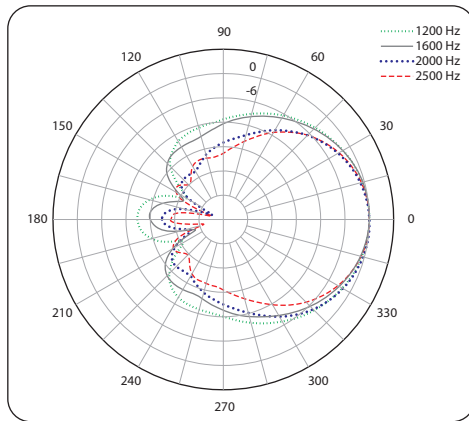
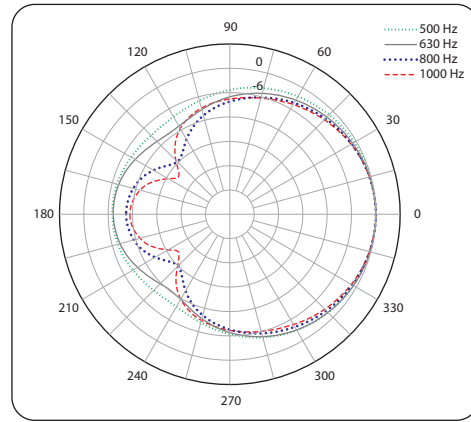
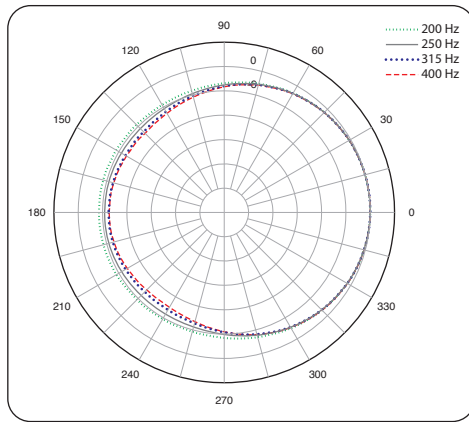


Portable Speakers

NuQ152-WH

2 Way 15" Full Range Loudspeaker
for Portable PA and
Installation Applications (White)

Horizontal Polar Plots

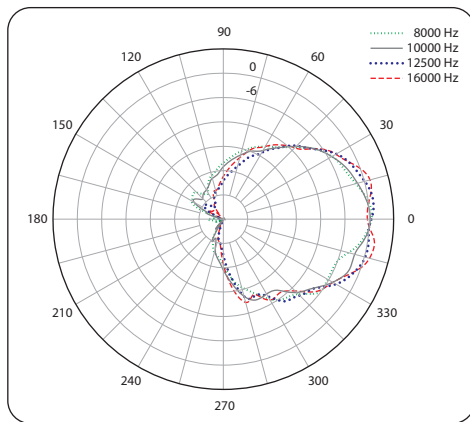
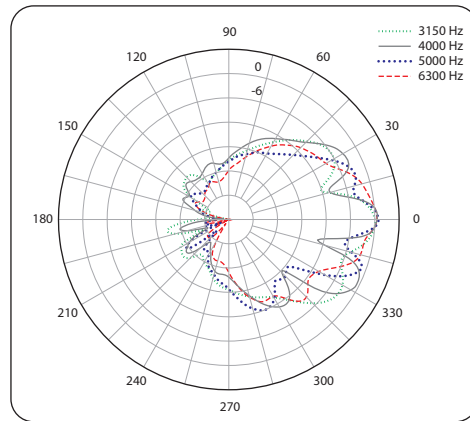
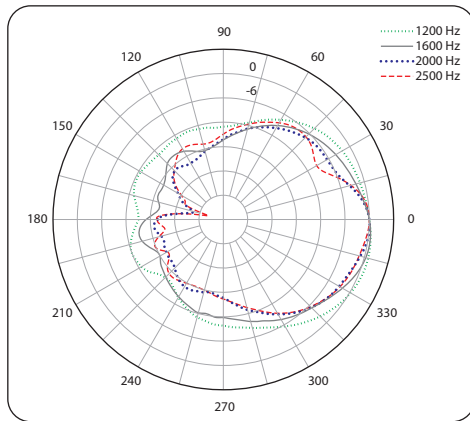
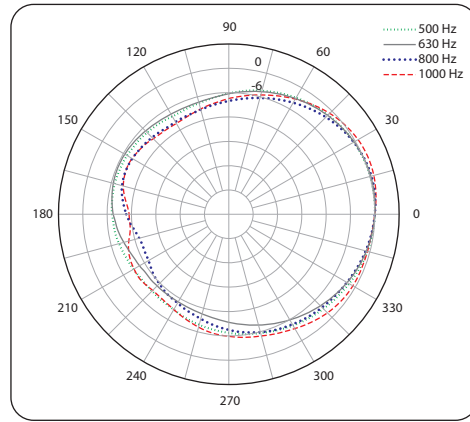
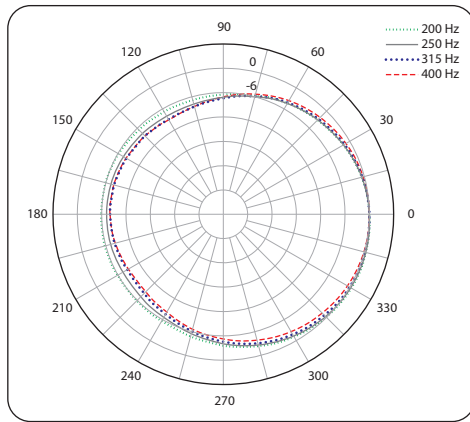


Portable Speakers

NuQ152-WH

2 Way 15" Full Range Loudspeaker
for Portable PA and
Installation Applications (White)

Vertical Polar Plots

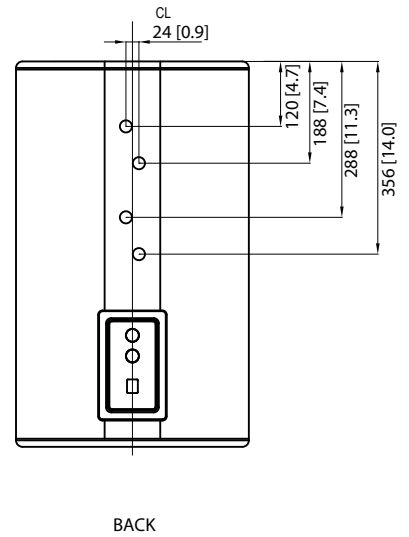
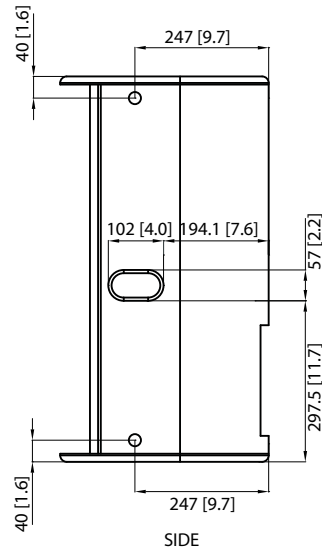
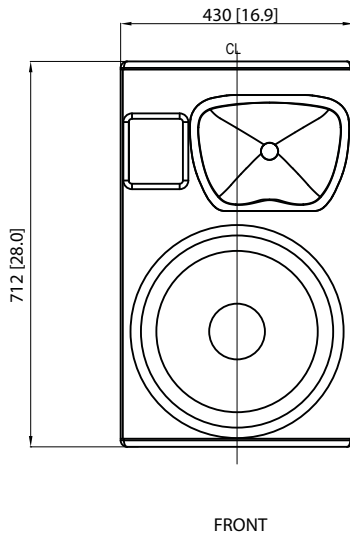
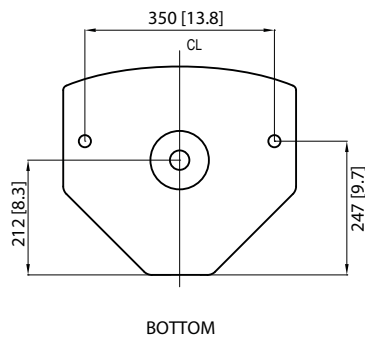
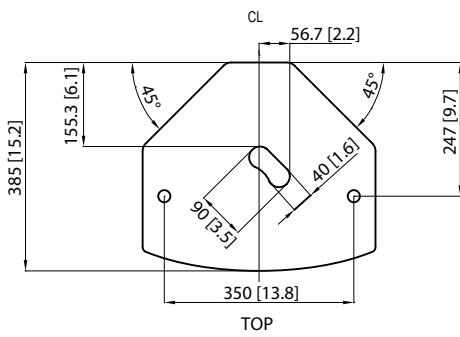


Portable Speakers

NuQ152-WH

2 Way 15" Full Range Loudspeaker
for Portable PA and
Installation Applications (White)

Dimensions



Portable Speakers

NuQ152-WH

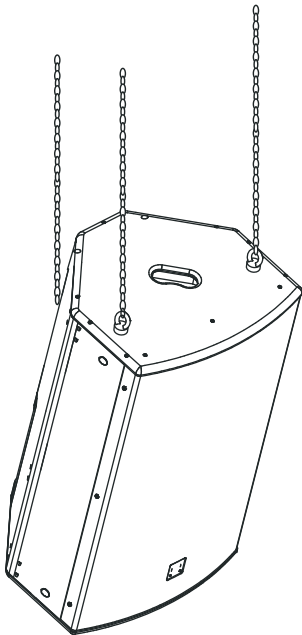
2 Way 15" Full Range Loudspeaker
for Portable PA and
Installation Applications (White)

Mounting and Rigging

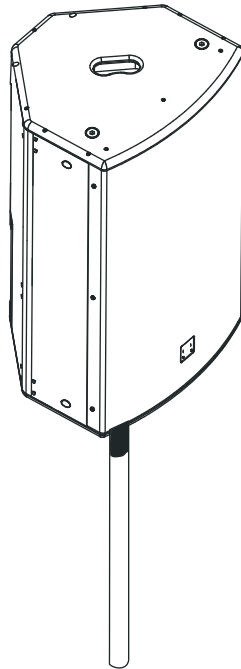
The cabinet is fitted with M10 x 12 and M8 x 4 internally-threaded rigging points that allow it to be rigged with optional shoulder eyebolts and mounted in many different configurations in permanent installations. The simplest method of rigging is to use the two M10 rigging points on the top, and a single pull-back rigging point in the centre of the rear panel. Adjustment of the length of the rear cable allows the cabinet to be angled for optimum room coverage. Cabinets may also be hung upside down if required.

The cabinet has an integral 35 mm pole mount socket in the bottom panel, that allows it to be pole mounted. The cabinet is compatible with TURBOSOUND brackets, and industry standard brackets.

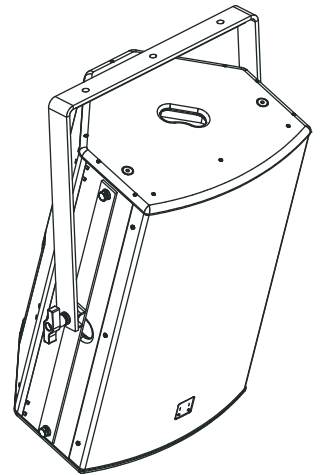
The optional **NuQ152-FY** fly yoke adds further installation flexibility for scaffold, surface, and pole mounting.



Suspension using M10
shoulder eyebolts.



Mounting on 35 mm
pole or speaker stand



NuQ152-FY fly yoke.

Portable Speakers

NuQ152-WH

2 Way 15" Full Range Loudspeaker
for Portable PA and
Installation Applications (White)

Technical Specifications

System

Frequency Response	50 Hz – 18 kHz ± 3 dB 45 Hz – 20 kHz -10 dB
Nominal Dispersion	70° H x 70° V @ -6 dB points
Directivity Factor (Q)	9.4
Directivity Index (DI)	9.7
Power Handling (IEC)	
Passive	500 W continuous, 2,000 W peak
Bi-amp	LF: 500 W continuous, 2,000 W peak HF: 40 W continuous, 160 W peak
Sensitivity	97 dB (1 W @ 1 m)
Maximum SPL	
Passive	124 dB continuous, 130 dB peak
Bi-Amp	LF: 124 dB continuous, 130 dB peak HF: 122 dB continuous, 128 dB peak
Impedance	
Passive	8 Ω
Bi-Amp	LF: 8 Ω HF: 6 Ω
Crossover Type	Passive / Bi-amp switchable
Components	1 x 15" (394 mm) LF driver 1 x 1" (25 mm) HF compression driver

Enclosure

Connectors	2 x Neutrik speakON NL4
Wiring	
Passive	Pins 1+ / 1- input, pins 2+ / 2- link
Bi-Amp	Pins 1+ / 1- LF, pins 2+ / 2- HF
Dimensions (H x W x D)	712 x 430 x 385 mm (28 x 16.9 x 15.2")
Net Weight	24.4 kg (53.7 lbs)
Construction	15 mm (5/8") birch plywood
Finish	Semi matt white paint
Grille	Powder coated perforated steel
Flying Hardware	M10 x 12 points

Accessories

NuQ152-FY

Portable Speakers

NuQ152-WH

2 Way 15" Full Range Loudspeaker
for Portable PA and
Installation Applications (White)

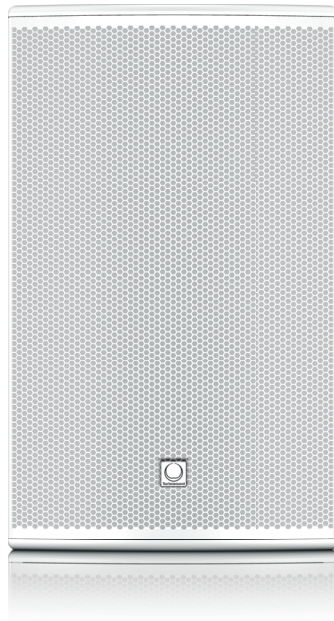
Architecture & Engineering Specifications

The speaker shall be of the full range, two-way switchable bi-amp/passive type consisting of one 15" (394 mm) LF driver and one 1" (25 mm) HF compression driver. Performance specifications of a typical production unit shall meet or exceed the following: frequency response, measured with swept sine wave input, shall be flat within ± 3 dB from 50 Hz to 18 kHz and within -10 dB from 45 Hz to 20 kHz. Nominal dispersion, at -6 dB points, shall average 70° H x 70° V. Nominal impedance shall be HF: 6 Ohms, LF: 8 Ohms; passive: 8 Ohms. Power handling shall be HF: 40 Watts continuous, 160 Watts peak, LF: 500 Watts continuous, 2,000 Watts peak; passive: 500 Watts continuous, 2,000 Watts peak. Sensitivity, measured on axis, mean averaged over stated bandwidth, shall be 97 dB, 1 Watt @ 1 metre. Maximum SPL (peak), measured at 1 metre with music program at stated amplifier input, shall be HF: 128 dB, LF: 130 dB; passive: 130 dB. Dimensions: 712 mm high x 430 mm wide x 385 mm deep (28" x 16.9" x 15.2"). Net weight: 24.4 kg (53.7 lbs). The loudspeaker system shall be the **TURBOSOUND** NuQ152-WH. No other loudspeaker shall be acceptable unless submitted data from an independent test laboratory verifies that the above combined performance / size specifications are equaled or exceeded.

Portable Speakers

NuQ152-WH

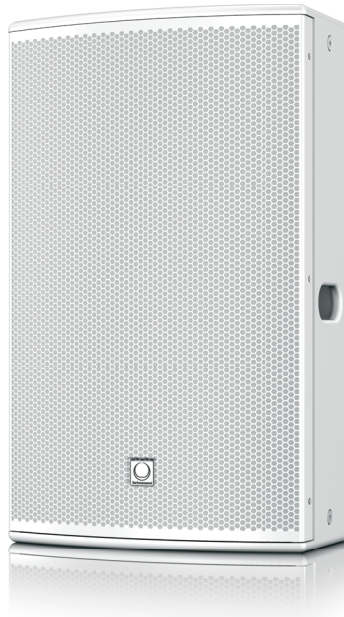
2 Way 15" Full Range Loudspeaker
for Portable PA and
Installation Applications (White)



Portable Speakers

NuQ152-WH

2 Way 15" Full Range Loudspeaker
for Portable PA and
Installation Applications (White)



Portable Speakers

NuQ152-WH

2 Way 15" Full Range Loudspeaker
for Portable PA and
Installation Applications (White)



For service, support or more information contact the TURBOSOUND location nearest you:

Europe
MUSIC Group Services UK
 Tel: +44 156 273 2290
 Email: CARE@music-group.com

USA/Canada
MUSIC Group Services NV Inc.
 Tel: +1 702 800 8290
 Email: CARE@music-group.com

Japan
MUSIC Group Services JP K.K.
 Tel: +81 3 6231 0454
 Email: CARE@music-group.com

MUSIC Group accepts no liability for any loss which may be suffered by any person who relies either wholly or in part upon any description, photograph, or statement contained herein. Technical specifications, appearances and other information are subject to change without notice. All trademarks are the property of their respective owners. MIDAS, KLARK TEKNIK, LAB GRUPPEN, LAKE, TANNÖY, TURBOSOUND, TC ELECTRONIC, TC HELICON, BEHRINGER, BUGERA and DDA are trademarks or registered trademarks of MUSIC Group IP Ltd.
 © MUSIC Group IP Ltd. 2016 All rights reserved.

