

## Portable Speakers

# NuQ

## NuQ115B-WH

15" Front Loaded Subwoofer  
for Portable PA and  
Installation Applications (White)

- Front loaded subwoofer for portable PA and installation applications
- 500 Watts continuous, 2,000 Watts peak power
- Double suspension 15" low frequency driver with inside/outside wound coil
- Low distortion bass reflex port design
- 18 mm (¾") birch plywood enclosure with hard wearing semi matt white paint finish
- Integral M10 rigging points for ease of installation
- 35 mm pole mount to support satellite speaker
- Neutrik speakON\* NL4 connectors for reliable long life operation
- 3-Year Warranty Program\*
- Designed and engineered in England



The 2,000 Watt NuQ115B-WH is a front loaded 15" subwoofer system that is ideally suited for a wide range of music and live sound reinforcement applications. Engineered to work in conjunction with **TURBOSOUND** loudspeaker management systems, the NuQ115B-WH provides optimal FOH performance, as well as exceptional drum and side fill monitoring applications.



A bass reflex port design enclosure, the NuQ115B-WH features a high power, double suspension 15" low frequency driver that utilizes a specialized inside/outside wound voice coil for higher magnetic density, better heat dissipation, high power handling capacity, and improved efficiency. The NuQ115B-WH subwoofer provides fast and accurate transient response for virtually distortion-free operation.

Finished in a highly durable semi matt white paint, the cabinet is constructed from 18 mm (¾") birch plywood – and includes a rugged powder coated perforated steel mesh grille backed with reticulated foam. A 35 mm pole socket, internal M10 rigging points, and recessed carry handles are standard, as are the high impact interlocking corners, which also ensure ground stacking stability. The rear panel connector plate carries Neutrik speakON\* NL4 connectors, with switchable input and link connections to accommodate standalone subwoofer applications, or subwoofer and satellite speaker connectivity via 4 core speaker cabling.

\*All third-party trademarks are the property of their respective owners. Their use neither constitutes a claim of the trademark nor affiliation of the trademark owners with MUSIC Group. Product names are mentioned solely as a reference for compatibility, effects and/or components. Warranty details can be found at music-group.com.

Portable Speakers

# NuQ

## NuQ115B-WH

15" Front Loaded Subwoofer  
for Portable PA and  
Installation Applications (White)



### You Are Covered

We always strive to provide the best possible Customer Experience. Our products are made in our own **MUSIC Group** factory using state-of-the-art automation, enhanced production workflows and quality assurance labs with the most sophisticated test equipment available in the world. As a result, we have one of the lowest product failure rates in the industry, and we confidently back it up with a generous **3-Year Warranty** program.

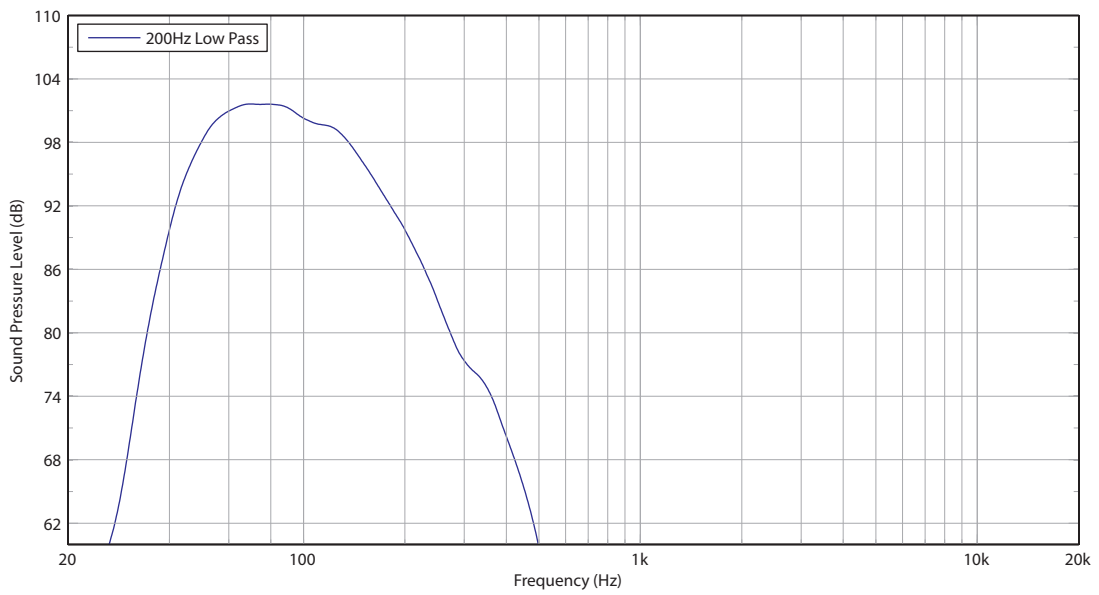
Portable Speakers

# NuQ

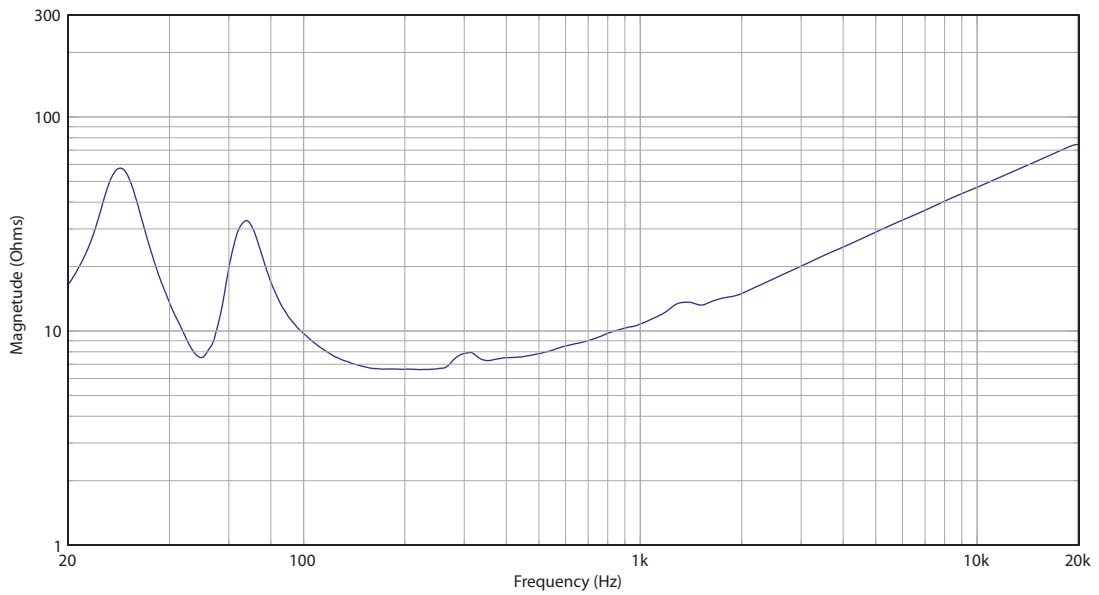
## NuQ115B-WH

15" Front Loaded Subwoofer  
for Portable PA and  
Installation Applications (White)

### Frequency Response Sensitivity 1 W / 1 m



### Impedance



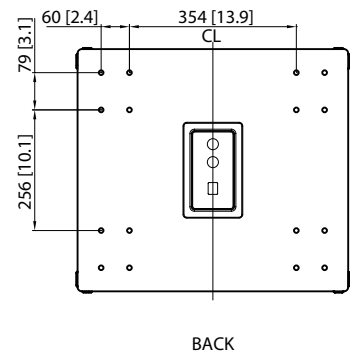
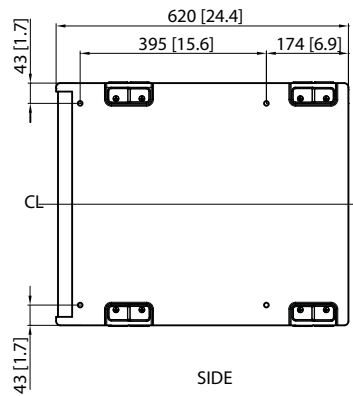
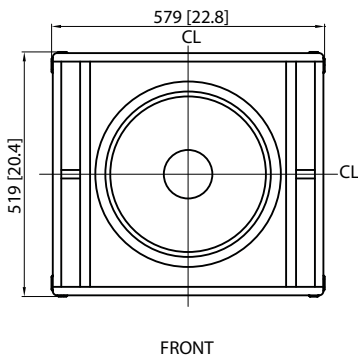
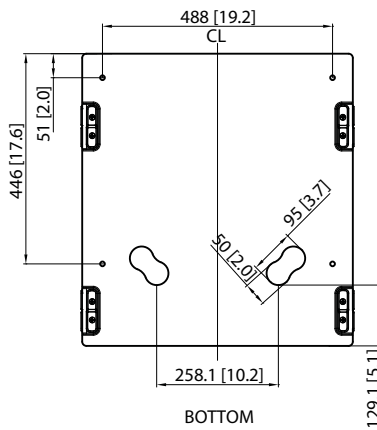
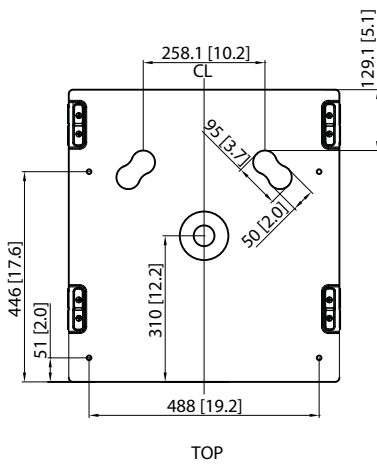
Portable Speakers

# NuQ

## NuQ115B-WH

15" Front Loaded Subwoofer  
for Portable PA and  
Installation Applications (White)

### Dimensions



## Portable Speakers

# NuQ

## NuQ115B-WH

15" Front Loaded Subwoofer  
for Portable PA and  
Installation Applications (White)

### Technical Specifications

#### System

Frequency Response	45 Hz - 150 Hz $\pm$ 3 dB 38 Hz - 200 Hz - 10 dB
Nominal Dispersion	Half space
Power Handling (IEC)	500 W continuous, 2,000 W peak
Sensitivity	99 dB (1 W @ 1 m)
Maximum SPL	126 dB continuous, 132 dB peak
Impedance	8 $\Omega$
Components	1 x 15" (387 mm) LF driver

#### Enclosure

Connectors	2 x Neutrik speakON NL4
Wiring	
Switch position 1	Pins 1+ / 1- input, pins 2+ / 2- link
Switch position 2	Pins 1+ / 1- lf, pins 2+ / 2- input
Dimensions HWD	519 x 579 x 620 mm (20.4 x 22.8 x 24.4")
Net Weight	36 kg (79.3 lbs)
Construction	18 mm (¾") birch plywood
Finish	Semi matt white paint
Grille	Powder coated perforated steel
Flying Hardware	M10 X 16 points

Portable Speakers

# NuQ

## NuQ115B-WH

15" Front Loaded Subwoofer  
for Portable PA and  
Installation Applications (White)

### Architecture & Engineering Specifications

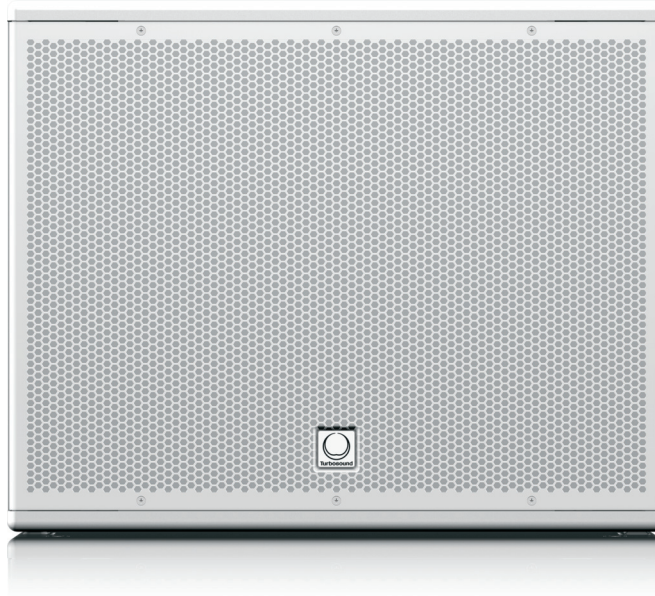
The speaker shall be of the passive subwoofer type consisting of one 15" (387 mm) LF driver. Performance specifications of a typical production unit shall meet or exceed the following: frequency response, measured with swept sine wave input, shall be flat within  $\pm 3$  dB from 45 Hz to 150 Hz and within -10 dB from 38 Hz to 200 Hz. Nominal dispersion shall be "half space." Nominal impedance shall be 8 Ohms. Power handling shall be 500 Watts continuous, 2,000 Watts peak. Sensitivity, measured on axis, mean averaged over stated bandwidth, shall be 99 dB, 1 Watt @ 1 metre. Maximum SPL (peak), measured at 1 metre with music program at stated amplifier input, shall be 132 dB. Dimensions: 514 mm high x 574 mm wide x 620 mm deep (20.2" x 22.6" x 24.4"). Net weight: 36 kg (79.3 lbs). The loudspeaker system shall be the **TURBOSOUND** NuQ115B-WH. No other loudspeaker shall be acceptable unless submitted data from an independent test laboratory verifies that the above combined performance / size specifications are equaled or exceeded.

Portable Speakers

# NuQ

## NuQ115B-WH

15" Front Loaded Subwoofer  
for Portable PA and  
Installation Applications (White)





Portable Speakers

# NuQ

## NuQ115B-WH

15" Front Loaded Subwoofer  
for Portable PA and  
Installation Applications (White)





Portable Speakers

# NuQ

## NuQ115B-WH

15" Front Loaded Subwoofer  
for Portable PA and  
Installation Applications (White)



For service, support or more information contact the TURBOSOUND location nearest you:

**Europe**  
**MUSIC Group Services UK**  
Tel: +44 156 273 2290  
Email: CARE@music-group.com

**USA/Canada**  
**MUSIC Group Services NV Inc.**  
Tel: +1 702 800 8290  
Email: CARE@music-group.com

**Japan**  
**MUSIC Group Services JP K.K.**  
Tel: +81 3 6231 0454  
Email: CARE@music-group.com

MUSIC Group accepts no liability for any loss which may be suffered by any person who relies either wholly or in part upon any description, photograph, or statement contained herein. Technical specifications, appearances and other information are subject to change without notice. All trademarks are the property of their respective owners. MIDAS, KLARK TEKNIK, LAB GRUPPEN, LAKE, TANNÖY, TURBOSOUND, TC ELECTRONIC, TC HELICON, BEHRINGER, BUGERA and DDA are trademarks or registered trademarks of MUSIC Group IP Ltd.  
© MUSIC Group IP Ltd. 2016 All rights reserved.

