

Quick Start Guide

EN

ES

FR

DE

PT



iQ Brackets iQ15-WB, iQ12-WB, iQ10-WB, iQ8-WB

Steel Wall Brackets for iQ Series Loudspeakers

EN

LEGAL DISCLAIMER

MUSIC Tribe accepts no liability for any loss which may be suffered by any person who relies either wholly or in part upon any description, photograph, or statement contained herein. Technical specifications, appearances and other information are subject to change without notice. All trademarks are the property of their respective owners. MIDAS, KLARK TEKNIK, LAB GRUPPEN, LAKE, TANNOY, TURBOSOUND, TC ELECTRONIC, TC HELICON, BEHRINGER, BUGERA and COOLAUDIO are trademarks or registered trademarks of MUSIC Tribe Global Brands Ltd. © MUSIC Tribe Global Brands Ltd. 2018 All rights reserved.

LIMITED WARRANTY

For the applicable warranty terms and conditions and additional information regarding MUSIC Tribe's Limited Warranty, please see complete details online at musictri.be/warranty.

DE

NEGACIÓN LEGAL

MUSIC Tribe no admite ningún tipo de responsabilidad por cualquier daño o pérdida que pudiera sufrir cualquier persona por confiar total o parcialmente en la descripción, fotografías o afirmaciones contenidas en este documento. Las especificaciones técnicas, imágenes y otras informaciones contenidas en este documento están sujetas a modificaciones sin previo aviso. Todas las marcas comerciales que aparecen aquí son propiedad de sus respectivos dueños. MIDAS, KLARK TEKNIK, LAB GRUPPEN, LAKE, TANNOY, TURBOSOUND, TC ELECTRONIC, TC HELICON, BEHRINGER, BUGERA y COOLAUDIO son marcas comerciales o marcas registradas de MUSIC Tribe Global Brands Ltd. © MUSIC Tribe Global Brands Ltd. 2018 Reservados todos los derechos.

GARANTÍA LIMITADA

Si quiere conocer los detalles y condiciones aplicables de la garantía así como información adicional sobre la Garantía limitada de MUSIC Tribe, consulte online toda la información en la web musictri.be/warranty.

DÉNI LÉGAL

MUSIC Tribe ne peut être tenu pour responsable pour toute perte pouvant être subie par toute personne se fiant en partie ou en totalité à toute description, photographie ou affirmation contenue dans ce document. Les caractéristiques, l'apparence et d'autres informations peuvent faire l'objet de modifications sans notification. Toutes les marques appartiennent à leurs propriétaires respectifs. MIDAS, KLARK TEKNIK, LAB GRUPPEN, LAKE, TANNOY, TURBOSOUND, TC ELECTRONIC, TC HELICON, BEHRINGER, BUGERA et COOLAUDIO sont des marques ou marques déposées de MUSIC Tribe Global Brands Ltd. © MUSIC Tribe Global Brands Ltd. 2018 Tous droits réservés.

GARANTIE LIMITÉE

Pour connaître les termes et conditions de garantie applicables, ainsi que les informations supplémentaires et détaillées sur la Garantie Limitée de MUSIC Tribe, consultez le site Internet musictri.be/warranty.

HAFTUNGSAUSSCHLUSS

MUSIC Tribe übernimmt keine Haftung für Verluste, die Personen entstanden sind, die sich ganz oder teilweise auf hier enthaltene Beschreibungen, Fotos oder Aussagen verlassen haben. Technische Daten, Erscheinungsbild und andere Informationen können ohne vorherige Ankündigung geändert werden. Alle Warenzeichen sind Eigentum der jeweiligen Inhaber. MIDAS, KLARK TEKNIK, LAB GRUPPEN, LAKE, TANNOY, TURBOSOUND, TC ELECTRONIC, TC HELICON, BEHRINGER, BUGERA und COOLAUDIO sind Warenzeichen oder eingetragene Warenzeichen der MUSIC Tribe Global Brands Ltd. © MUSIC Tribe Global Brands Ltd. 2018 Alle Rechte vorbehalten.

BESCHRÄNKTE GARANTIE

Die geltenden Garantiebedingungen und zusätzliche Informationen bezüglich der von MUSIC Tribe gewährten beschränkten Garantie finden Sie online unter musictri.be/warranty.

LEGAL RENUNCIANTE

O MUSIC Tribe não se responsabiliza por perda alguma que possa ser sofrida por qualquer pessoa que dependa, seja de maneira completa ou parcial, de qualquer descrição, fotografia, ou declaração aqui contidas. Dados técnicos, aparências e outras informações estão sujeitas a modificações sem aviso prévio. Todas as marcas são propriedade de seus respectivos donos. MIDAS, KLARK TEKNIK, LAB GRUPPEN, LAKE, TANNOY, TURBOSOUND, TC ELECTRONIC, TC HELICON, BEHRINGER, BUGERA e COOLAUDIO são marcas ou marcas registradas do MUSIC Tribe Global Brands Ltd. © MUSIC Tribe Global Brands Ltd. 2018 Todos direitos reservados.

GARANTIA LIMITADA

Para obter os termos de garantia aplicáveis e condições e informações adicionais a respeito da garantia limitada do MUSIC Tribe, favor verificar detalhes na íntegra através do website musictri.be/warranty.

法的放棄

ここに含まれる記述、写真、意見の全体または一部に依拠して、いかなる人が損害を生じさせた場合にも、MUSIC Tribe は一切の賠償責任を負いません。技術仕様、外観およびその他の情報は予告なく変更になる場合があります。商標はすべて、それぞれの所有者に帰属します。MIDAS、KLARK TEKNIK、LAB GRUPPEN、LAKE、TANNOY、TURBOSOUND、TC ELECTRONIC、TC HELICON、BEHRINGER、BUGERA および COOLAUDIO は MUSIC Tribe Global Brands Ltd. の商標または登録商標です。© MUSIC Tribe Global Brands Ltd. 2018 無断転用禁止。

限定保証

適用される保証条件と MUSIC Tribe の限定保証に関する概要については、オンライン上 musictri.be/warranty にて詳細をご確認ください。

法律声明

对于任何因此说明书提到的全部或部分描述、图片或声明而造成的损失，MUSIC Tribe 不负任何责任。技术参数和外观若有更改，恕不另行通知。所有的商标均为其各自所有者的财产。MIDAS、KLARK TEKNIK、LAB GRUPPEN、LAKE、TANNOY、TURBOSOUND、TC ELECTRONIC、TC HELICON、BEHRINGER、BUGERA 和 COOLAUDIO 是 MUSIC Tribe Global Brands Ltd. 公司的商标或注册商标。© MUSIC Tribe Global Brands Ltd. 2018 版权所有。

保修条款

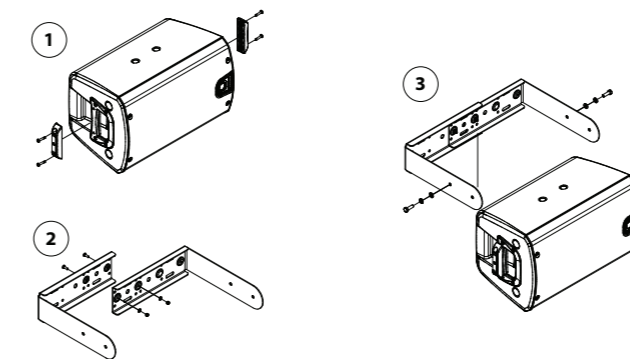
有关音乐集团保修的适用条款及其它相关信息，请登陆 musictri.be/warranty 网站查看完整的详细信息。

Thank you for choosing a TURBOSOUND loudspeaker product for your application. If you would like further information about this or any other TURBOSOUND product, please visit our website at turbosound.com.

Unpacking the Brackets

After unpacking the unit please check carefully for damage. If damage is found, please notify your supplier at once. You, the consignee, must instigate any claim. Please retain all packaging in case of future re-shipment.

The graphics below show the assembly of the optional mounting brackets (iQ8-WB, iQ10-WB, iQ12-WB and iQ15-WB). These mounting brackets are designed to mount one speaker each only. Do not secure any additional loads of any kind. These brackets are intended solely for use with iQ speakers when assembled in accordance with the following instructions:

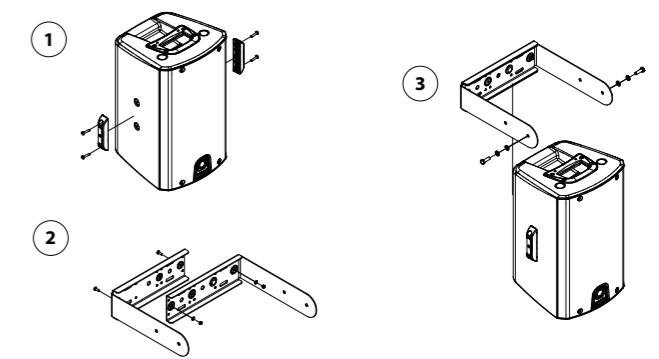
iQ8-WB Yoke Mounting**iQ8-WB YOKE HORIZONTAL MOUNTING**

Step 1: Secure Yoke Spacers

ITEM	DESCRIPTION	QUANTITY
1	Yoke spacer	2
2	M5 x 25 mm screw with nylon thread locking	4

Step 2: Assemble Steel Yoke Bracket

ITEM	DESCRIPTION	QUANTITY
1	Steel yoke bracket 1	1
2	Steel yoke bracket 2	1
3	M5 x 15 mm screw	2
4	M5 plain washer	2
5	M5 nylon locking nut	2

iQ8-WB YOKE VERTICAL MOUNTING

Step 3: Place Speaker Into Yoke Bracket

ITEM	DESCRIPTION	QUANTITY
1	Steel yoke bracket assembly	1
2	M8 x 25 mm screw	2
3	M8 plain washer	2
4	M8 spring lock washer	2

PT

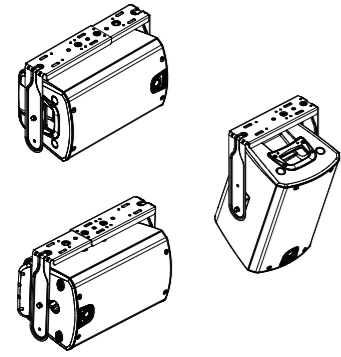
JP

CN

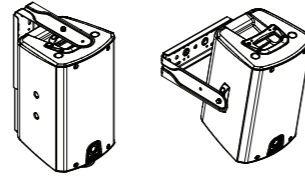
EN

iQ8-WB Mounting Options

CEILING MOUNTED

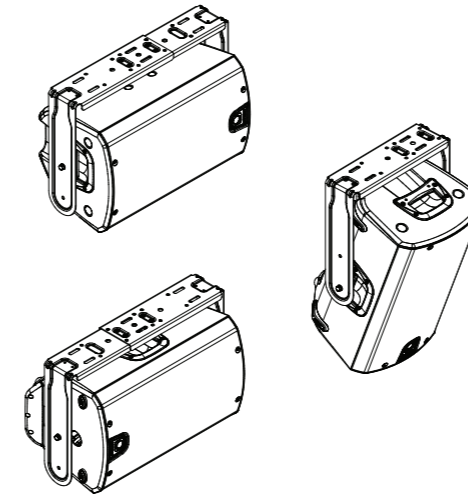


WALL MOUNTED

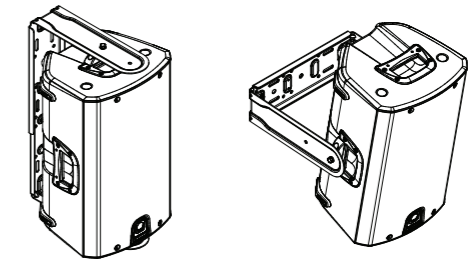


iQ10-WB Mounting Options

CEILING MOUNTED

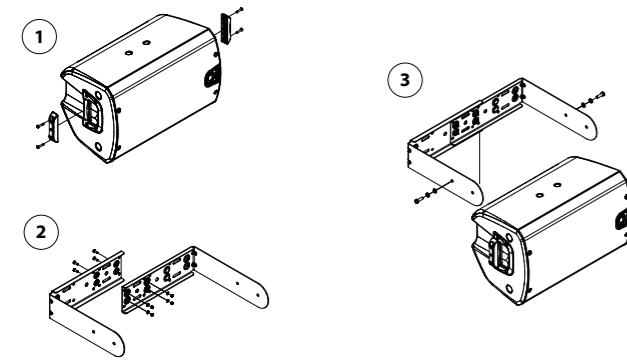


WALL MOUNTED



iQ10-WB Yoke Mounting

iQ10-WB YOKE HORIZONTAL MOUNTING



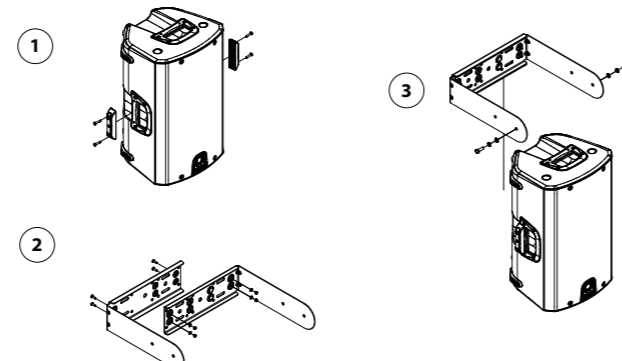
Step 1: Secure Yoke Spacers

ITEM	DESCRIPTION	QUANTITY
1	Yoke spacer	2
2	M5 x 25 mm screw with nylon thread locking	4

Step 2: Assemble Steel Yoke Bracket

ITEM	DESCRIPTION	QUANTITY
1	Steel yoke bracket 1	1
2	Steel yoke bracket 2	1
3	M5 x 15 mm screw	4
4	M5 plain washer	4
5	M5 nylon locking nut	4

iQ10-WB YOKE VERTICAL MOUNTING



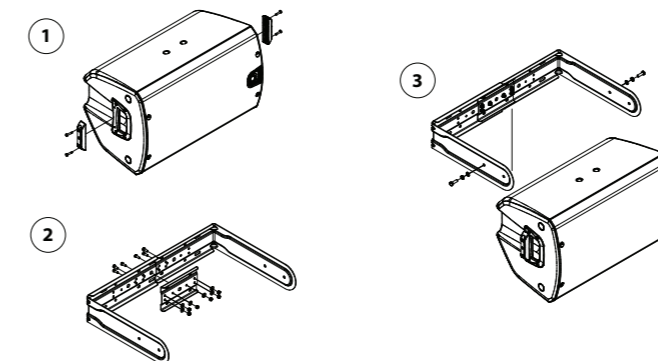
Step 3: Place Speaker Into Yoke Bracket

ITEM	DESCRIPTION	QUANTITY
1	Steel yoke bracket assembly	1
2	M8 x 25 mm screw	2
3	M8 plain washer	2
4	M8 spring lock washer	2

NOTE: For iQ8 and iQ10, the finished bracket requires only 2 pieces, while the iQ12 and iQ15 bracket requires 3 pieces.

iQ12-WB Yoke Mounting

iQ12-WB YOKE HORIZONTAL MOUNTING



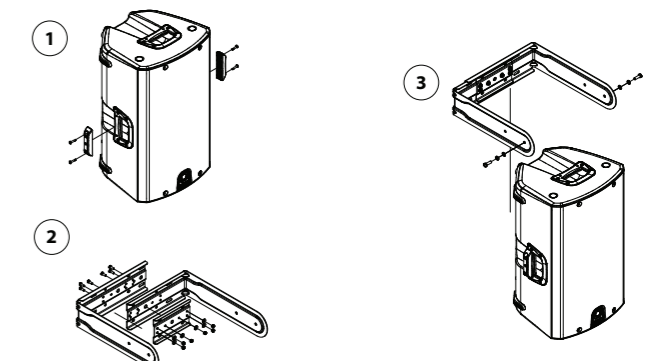
Step 1: Secure Yoke Spacers

ITEM	DESCRIPTION	QUANTITY
1	Yoke spacer	2
2	M5 x 25 mm screw with nylon thread locking	4

Step 2: Assemble Steel Yoke Bracket

ITEM	DESCRIPTION	QUANTITY
1	Steel yoke bracket 1	1
2	Steel yoke bracket 2	1
3	Steel yoke bracket 3	1
4	M6 plain washer	6
5	M6 x 16 mm screw	6
6	M6 nylon locking nut	6

iQ12-WB YOKE VERTICAL MOUNTING

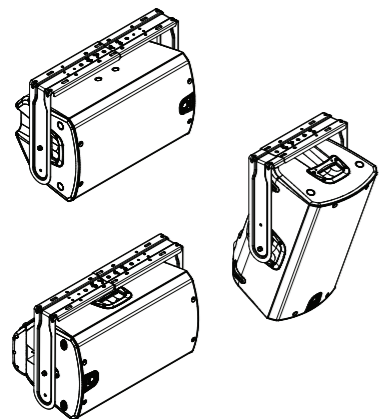


Step 3: Place Speaker Into Yoke Bracket

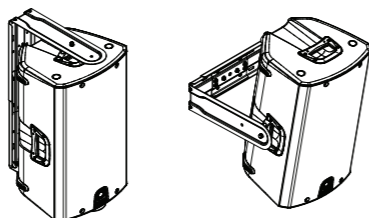
ITEM	DESCRIPTION	QUANTITY
1	Steel yoke bracket assembly	1
2	M8 x 25 mm screw	2
3	M8 plain washer	2
4	M8 spring lock washer	2

iQ12-WB Mounting Options

CEILING MOUNTED



WALL MOUNTED



IMPORTANT NOTE: The mounting of a permanently installed sound system may be dangerous unless undertaken by qualified personnel with the required experience and certification to perform the necessary tasks. Walls, floors or ceilings must be capable of safely and securely supporting the actual load. The mounting accessory used must be safely and securely fixed both to the loudspeaker and to the wall, floor or ceiling.

When mounting rigging components on walls, floors or ceilings, ensure that all fixings and fasteners used are of an appropriate size and load rating. Wall and ceiling claddings, and the construction and composition of walls and ceilings, all need to be taken into account when determining whether a particular fixing arrangement can be safely employed for a particular load. Cavity plugs or other specialist fixings, if required, must be of an appropriate type, and must be fitted and used in accordance with the maker's instructions. When suspending the components a secondary safety method should be used in accordance with local laws and standards.

The operation of your speaker cabinet as part of a flown system, if installed incorrectly and improperly, can potentially expose persons to serious health risks and even death. In addition, please ensure that electrical, mechanical and acoustic considerations are discussed with qualified and certified (by local state or national authorities) personnel prior to any installation or flying.

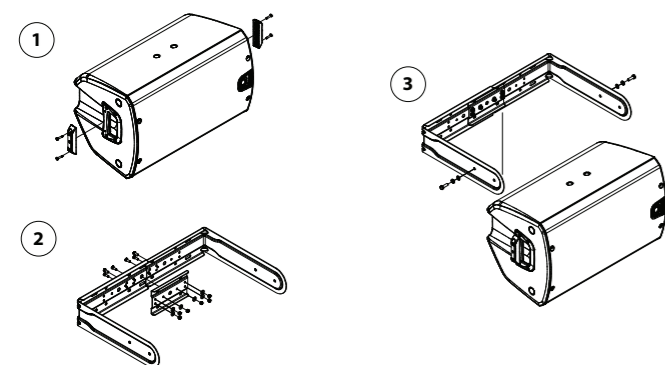
Make sure that speaker cabinets are set up and flown by qualified and certified personnel only, using dedicated equipment and original parts and components delivered with the unit. If any parts or components are missing please contact your Dealer before attempting to set up the system.

Be sure to observe the local, state and other safety regulations applicable in your country. MUSIC Group, including the MUSIC Group companies listed on the enclosed "Service Information Sheet", assumes no liability for any damage or personal injury resulting from improper use, installation or operation of the product. Regular checks must be conducted by qualified personnel to ensure that the system remains in a secure and stable condition. Make sure that, where the speaker is flown, the area underneath the speaker is free of human traffic. Do not fly the speaker in areas that can be entered or used by members of the public.

Speakers create a magnetic field, even if not in operation. Therefore, please keep all materials that can be affected by such fields (discs, computers, monitors, etc) at a safe distance. A safe distance is usually between 1 and 2 metres.

iQ15-WB Yoke Mounting

iQ15-WB YOKE HORIZONTAL MOUNTING



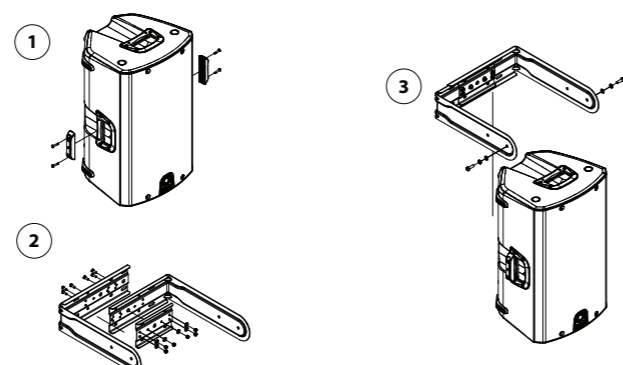
Step 1: Secure Yoke Spacers

ITEM	DESCRIPTION	QUANTITY
1	Yoke spacer	2
2	M5 x 25 mm screw with nylon thread locking	4

Step 2: Assemble Steel Yoke Bracket

ITEM	DESCRIPTION	QUANTITY
1	Steel yoke bracket 1	1
2	Steel yoke bracket 2	1
3	Steel yoke bracket 3	1
4	M6 plain washer	6
5	M6 x 16 mm screw	6
6	M6 nylon locking nut	6

iQ15-WB YOKE VERTICAL MOUNTING

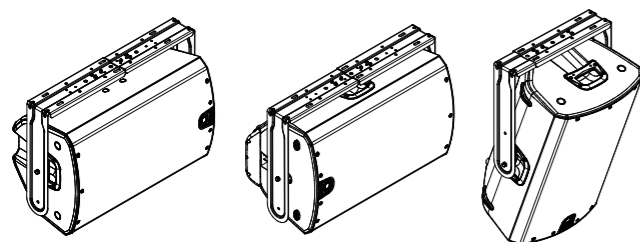


Step 3: Place Speaker Into Yoke Bracket

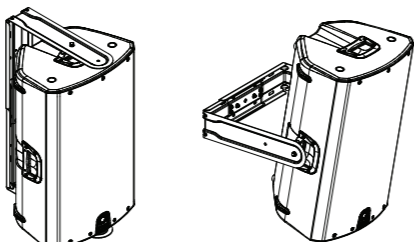
ITEM	DESCRIPTION	QUANTITY
1	Steel yoke bracket assembly	1
2	M8 x 25 mm screw	2
3	M8 plain washer	2
4	M8 spring lock washer	2

iQ15-WB Mounting Options

CEILING MOUNTED

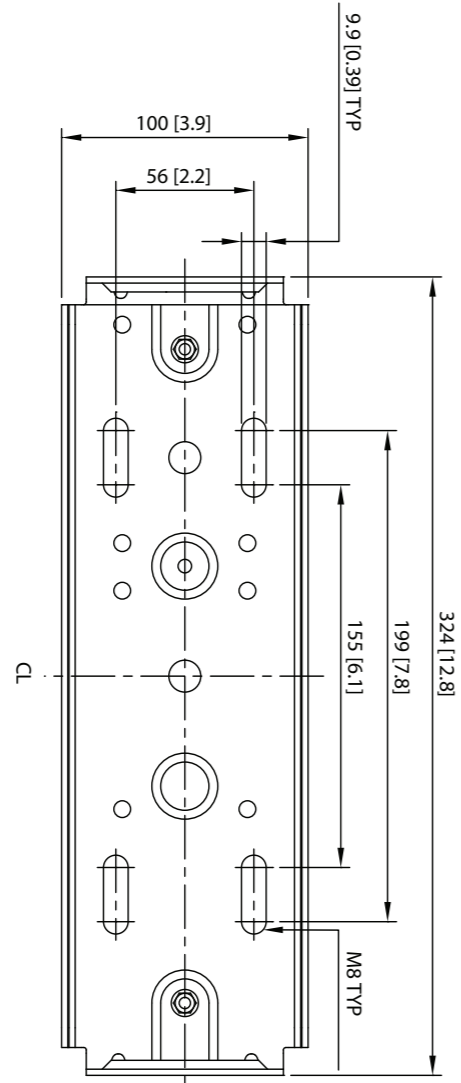


WALL MOUNTED

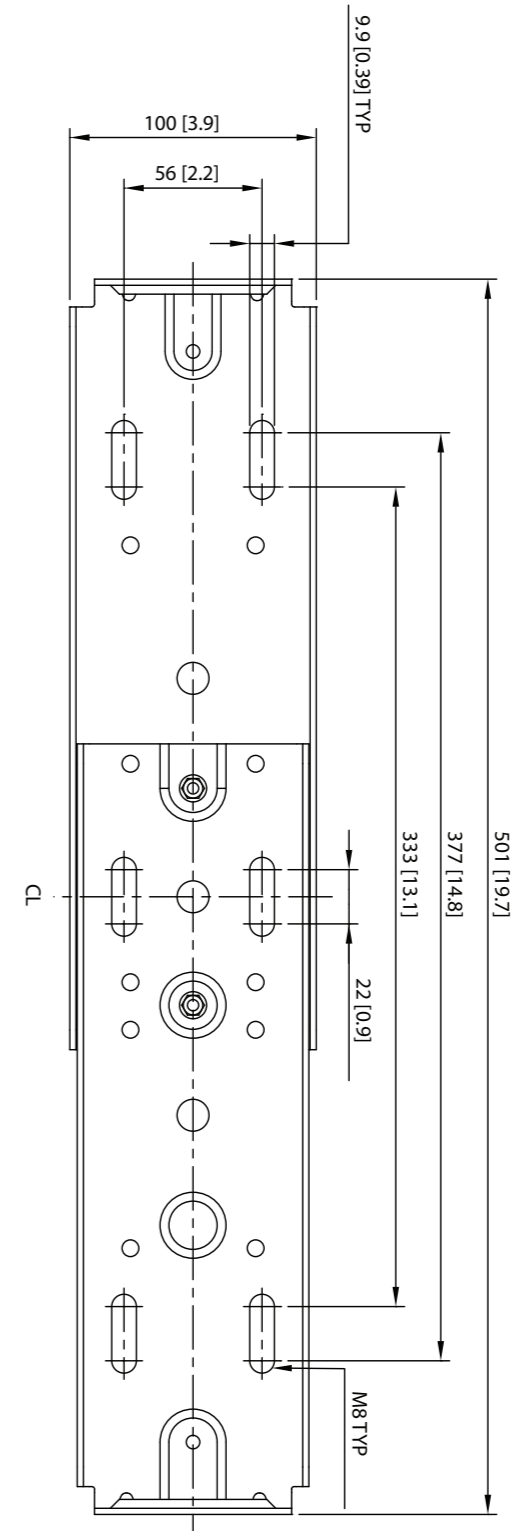


iQ8-WB Drilling Plan

iQ8-WB VERTICAL MOUNTING

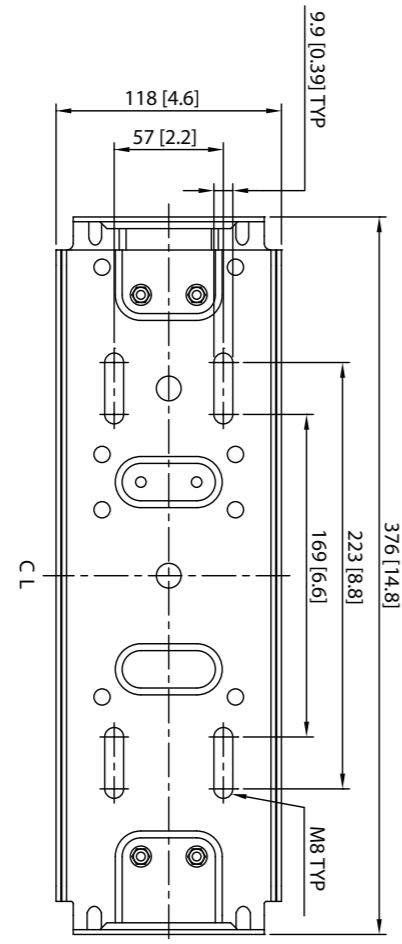


iQ8-WB HORIZONTAL MOUNTING

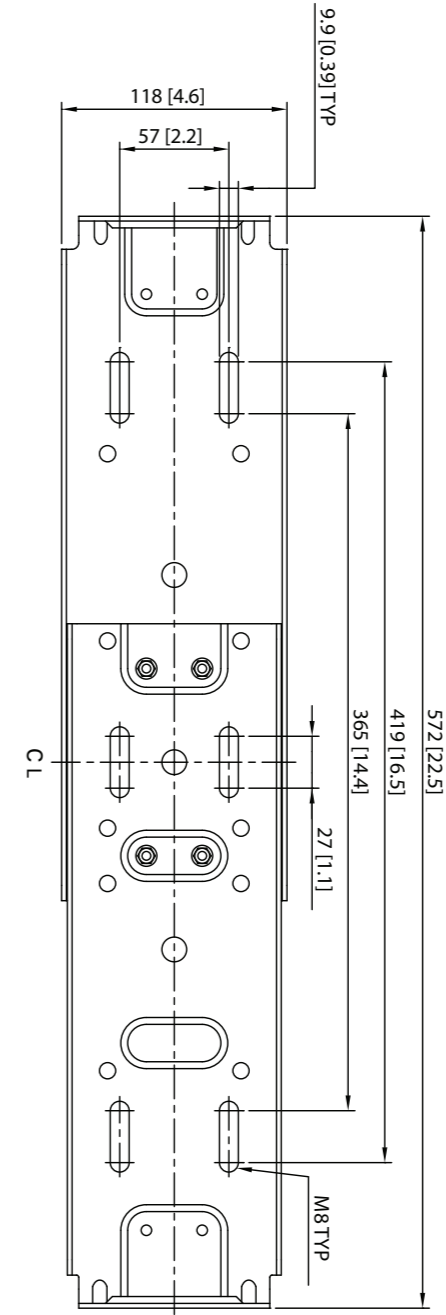


iQ10-WB Drilling Plan

iQ10-WB VERTICAL MOUNTING

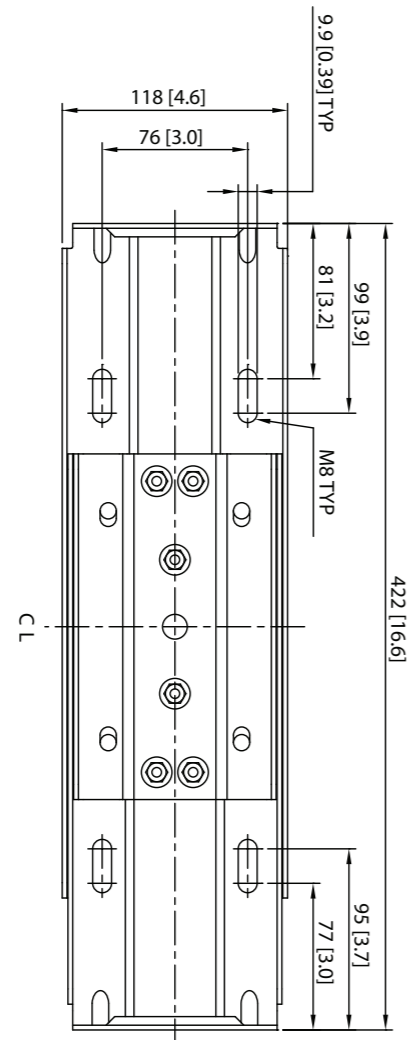


iQ10-WB HORIZONTAL MOUNTING

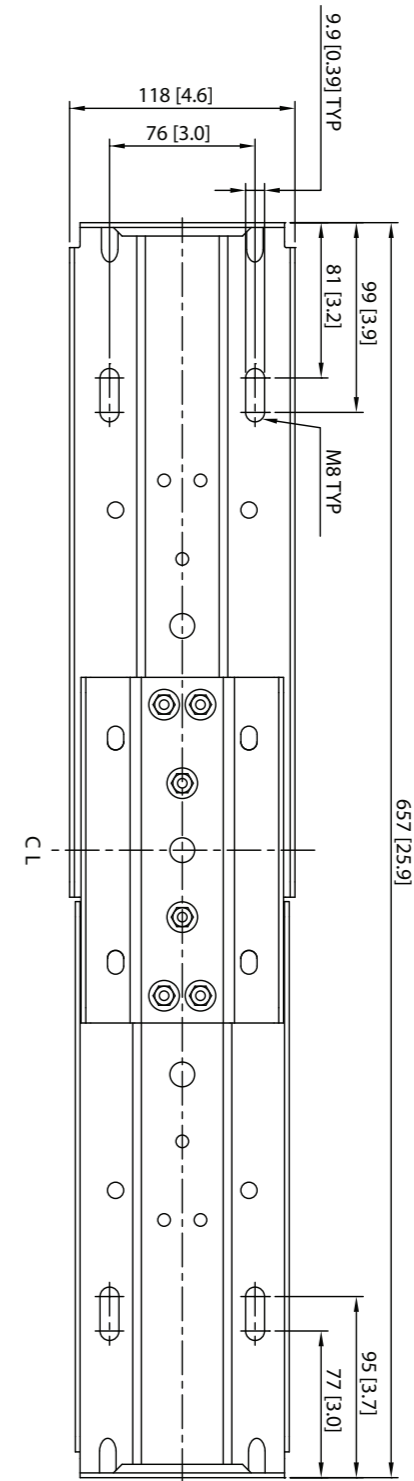


iQ12-WB Drilling Plan

iQ12-WB VERTICAL MOUNTING

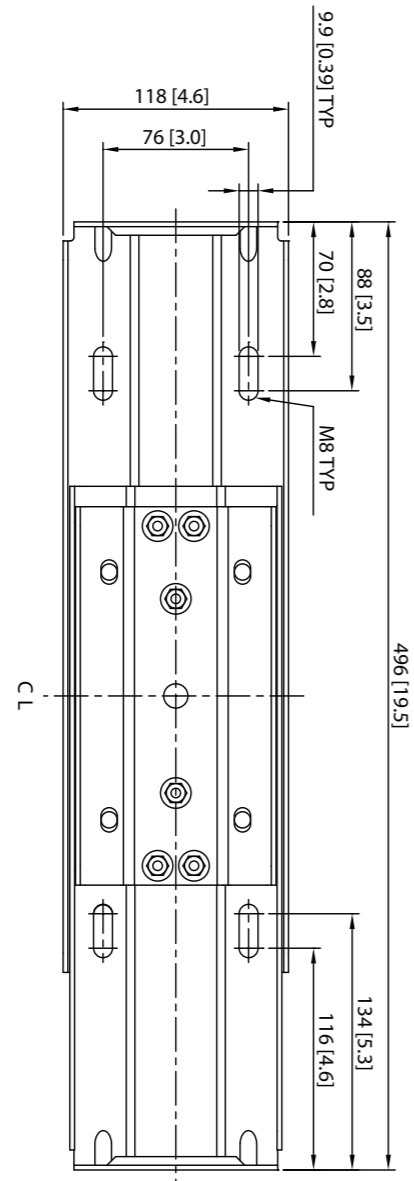


iQ12-WB HORIZONTAL MOUNTING



iQ15-WB Drilling Plan

iQ15-WB VERTICAL MOUNTING



iQ15-WB HORIZONTAL MOUNTING

