



PALADIN CUBE™

User Manual

©2019 ELATION PROFESSIONAL all rights reserved. Information, specifications, diagrams, images, and instructions herein are subject to change without notice. ELATION PROFESSIONAL logo and identifying product names and numbers herein are trademarks of ELATION PROFESSIONAL. Copyright protection claimed includes all forms and matters of copyrightable materials and information now allowed by statutory or judicial law or hereinafter granted. Product names used in this document may be trademarks or registered trademarks of their respective companies and are hereby acknowledged. All non-ELATION brands and product names are trademarks or registered trademarks of their respective companies.

ELATION PROFESSIONAL and all affiliated companies hereby disclaim any and all liabilities for property, equipment, building, and electrical damages, injuries to any persons, and direct or indirect economic loss associated with the use or reliance of any information contained within this document, and/or as a result of the improper, unsafe, insufficient and negligent assembly, installation, rigging, and operation of this product.

Elation Professional USA | 6122 S. Eastern Ave. | Los Angeles, CA. 90040
323-582-3322 | 323-832-9142 fax | www.elationlighting.com | info@elationlighting.com

Elation Professional B.V. | Junostraat 2 | 6468 EW Kerkrade, The Netherlands
+31 45 546 85 66 | +31 45 546 85 96 fax | www.elationlighting.eu | info@elationlighting.eu

Elation Professional Mexico | AV Santa Ana 30 | Parque Industrial Lerma, Lerma, Mexico 52000
+52 (728) 282-7070

DOCUMENT VERSION



Due to additional product features and/or enhancements, an updated version of this document may be available online. Please scan the QR Code with your mobile device or visit www.elationlighting.com for the latest revision/update of this manual, before installation and/or programming.

Date	Document Version	Software Version ≥	DMX Channel Modes	Notes
08/19/19	1.0	1.0.1	RGB – 3/4/8/10/16/24/26/32 HSI – 4 / 10 / 17	Initial release.
08/28/19	1.1	N/C	NO CHANGE	Updated length dimension.

CONTENTS

General Information	4
Warranty Returns (USA Only)	5
Safety Guidelines	6
Maintenance Guidelines	8
Fixture Overview	9
Fixture Installation	10
System Menu	15
Pixel Zone Control	19
E-FLY Wireless DMX Set Up	20
DMX Channel Functions and Values	22
Specifications	31
Optional Accessories	33

GENERAL INFORMATION

INTRODUCTION

Please read and understand all the safety and use instructions in this manual carefully and thoroughly before attempting to operate this device.

IP65 RATED

An IP rated lighting fixture is one, which is commonly installed in outdoor environments and has been designed with an enclosure that effectively protects the ingress (entry) of external foreign objects such as dust and water. The **International Protection (IP)** rating system is commonly expressed as "**IP**" (Ingress Protection) followed by two numbers (i.e. IP65) where the numbers define the degree of protection. The first digit (Foreign Bodies Protection) indicates the extent of protection against particles entering the fixture and the second digit (Water Protection) indicates the extent of protection against water entering the fixture. An **IP65** rated lighting fixture is one, which has been designed and tested to protect against the ingress of dust (**6**) and high-pressure water jets from any direction (**5**).

UNPACKING

Every device has been thoroughly tested and has been shipped in perfect operating condition. Carefully check the shipping carton for damage that may have occurred during shipping. If the carton is damaged, carefully inspect the device for damage, and be sure all accessories necessary to install and operate the device have arrived intact. In the event damage has been found or parts are missing, please contact our customer support team for further instructions. Please do not return this device to your dealer without first contacting customer support. Please do not discard the shipping carton in the trash. Please recycle whenever possible.

CUSTOMER SUPPORT

Contact **ELATION Service** for any product related service and support needs. Also visit forums.elationlighting.com with questions, comments or suggestions.

ELATION SERVICE USA - Monday - Friday 8:00am to 4:30pm PST
323-582-3322 | Fax 323-832-9142 | support@elationlighting.com

ELATION SERVICE EUROPE - Monday - Friday 08:30 to 17:00 CET
+31 45 546 85 63 | Fax +31 45 546 85 96 | support@elationlighting.eu

REPLACEMENT PARTS please visit parts.elationlighting.com

WARRANTY RETURNS (USA ONLY)

To obtain warranty service, a Return Materials Authorization (RMA) number must first be obtained from ELATION. It is the Customer's responsibility to provide product proof of purchase and serial number by acceptable evidence (i.e. invoice copy and/or Extended Warranty Certificate), and any applicable maintenance records at the time warranty service is sought. Failure to provide acceptable evidence of product proof of purchase, serial number, and applicable maintenance records may be cause for denial of warranty service.

Products returned for warranty service must be sent without any accessories (i.e. power, data, and safety cables, brackets, clamps, rigging hardware, frost filters, gel frames, barn doors, lens, hoses, nozzles, rack mounting hardware, etc.), must be boxed using the original and/or suitable packaging materials (double-box and foam) that provide ample product protection for ground and/or air freight transit, and must be shipped freight pre-paid and insured to ELATION in Los Angeles, CA or to an ELATION Authorized Service Center. The RMA number must be clearly written on the outside of the return box and a brief description of the problem and the RMA number must be documented and included in the box.

Products returned for warranty service without an RMA number clearly marked on the outside of the package will be refused and returned to the shipper at the customer's expense. Products returned for warranty service, which are received damaged due to poor and improper packaging and/or due to damage caused by shipping carrier, may incur additional repair charges before warranty service begins and/or may void this warranty. If any product accessories (included and/or optional) are shipped with the product, ELATION and/or the ELATION Authorized Service Center shall have no liability what so ever for the loss and/or damage to any such accessories, nor for the safe return thereof. If the requested warranty repairs or service (including parts replacement) are within the terms of this warranty, ELATION will pay return shipping charges to a single designated point within the United States.

SAFETY GUIDELINES

This fixture is a sophisticated piece of electronic equipment. To guarantee a smooth operation, it is important to follow all instructions and guidelines in this manual. Elation Professional is not responsible for injury and/or damages resulting from the misuse of this fixture due to the disregard of the information printed in this manual. Only qualified and/or certified personnel should perform installation of this fixture and only the original rigging parts (omega brackets) included with this fixture should be used for installation. Any modifications to the fixture and/or the included mounting hardware will void the original manufactures warranty and increase the risk of damage and/or personal injury.



PROTECTION CLASS 1 - FIXTURE MUST BE PROPERLY GROUNDED

THERE ARE NO USER SERVICEABLE PARTS INSIDE THIS UNIT. DO NOT ATTEMPT ANY REPAIRS YOURSELF; DOING SO WILL VOID YOUR MANUFACTURES WARRANTY. DAMAGES RESULTING FROM MODIFICATIONS TO THIS FIXTURE AND/OR THE DISREGARD OF SAFETY INSTRUCTIONS AND GUIDELINES IN THIS MANUAL VOID THE MANUFACTURES WARRANTY AND ARE NOT SUBJECT TO ANY WARRANTY CLAIMS AND/OR REPAIRS.



**DO NOT PLUG FIXTURE INTO A DIMMER PACK!
NEVER OPEN THIS FIXTURE WHILE IN USE!
UNPLUG POWER BEFORE SERVICING FIXTURE!
NEVER TOUCH FIXTURE DURING OPERATION, AS IT MAY BE HOT!
KEEP FLAMMABLE MATERIALS AWAY FROM FIXTURE!**



**NEVER LOOK DIRECTLY INTO THE LIGHT SOURCE!
RETINA INJURY RISK - MAY INDUCE BLINDNESS!
SENSITIVE PERSONS MAY SUFFER AN EPILEPTIC SHOCK!**



ENSURE ALL CONNECTIONS AND END CAPS ARE PROPERLY SEALED WITH A DIELECTRIC GREASE (AVAILABLE AT MOST ELECTRICAL SUPPLIERS) TO PREVENT WATER CORROSION AND/OR ELECTRICAL SHORT CIRCUIT.



**MINIMUM DISTANCE TO OBJECTS/SURFACES
MUST BE 1.6 FOOT (0.5 METER)
MINIMUM DISTANCE OF INFLAMMABLE MATERIALS
FROM THE SURFACE 1.6 FEET (0.5 METER)
MAXIMUM AMBIENT OPERATING TEMPERATURE 113°F. (45°C)**

S A F E T Y G U I D E L I N E S

DO NOT TOUCH the fixture housing during operation. Turn OFF the power and allow approximately 15 minutes for the fixture to cool down before serving.

DO NOT shake fixture, avoid brute force when installing and/or operating fixture.

DO NOT operate fixture if the power cord is frayed, crimped, damaged and/or if any of the power cord connectors are damaged and do not insert into the fixture securely with ease.

NEVER force a power cord connector into the fixture. If the power cord or any of its connectors are damaged, replace it immediately with a new one of similar power rating.

DO NOT block any air ventilation slots.

All fan and air inlets must remain clean and never blocked.

Allow approx. 6" (15cm) between fixture and other devices or a wall for proper cooling.

Always disconnect fixture from main power source before performing any type of service and/or cleaning procedure. Only handle the power cord by the plug end, never pull out the plug by tugging the wire portion of the cord.

During the initial operation of this fixture, a light smoke or smell may emit from the interior of the fixture. This is a normal process and is caused by excess paint in the interior of the casing burning off from the heat associated with the lamp and will decrease gradually over time.

Consistent operational breaks will ensure fixture will function properly for many years.

ONLY use the original packaging and materials to transport the fixture in for service.

MAINTENANCE GUIDELINES



DISCONNECT POWER BEFORE PERFORMING ANY MAINTENANCE!

CLEANING

Frequent cleaning is recommended to insure proper function, optimized light output, and an extended life. The frequency of cleaning depends on the environment in which the fixture operates: damp, smoky or particularly dirty environments can cause greater accumulation of dirt on the fixture's optics. Clean the external lens surface at least every 20 days with a soft cloth to avoid dirt/debris accumulation.

NEVER use alcohol, solvents, or ammonia-based cleaners.

MAINTENANCE

Regular inspections are recommended to insure proper function and extended life. There are no user serviceable parts inside this fixture, please refer all other service issues to an authorized Elation service technician. Should you need any spare parts, please order genuine parts from your local Elation dealer.

Please refer to the following points during routine inspections:

A detailed electric check by an approved electrical engineer every three months, to make sure the circuit contacts are in good condition and prevent overheating.

Be sure all screws and fasteners are securely tightened at all times. Loose screws may fall out during normal operation resulting in damage or injury as larger parts could fall.

Check for any deformations on the housing, color lenses, rigging hardware and rigging points (ceiling, suspension, trussing). Deformations in the housing could allow for dust to enter into the fixture. Damaged rigging points or unsecured rigging could cause the fixture to fall and seriously injure a person(s).

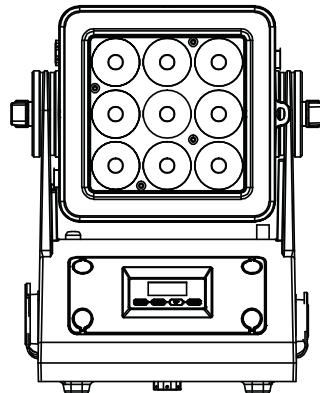
Electric power supply cables must not show any damage, material fatigue or sediments.

NEVER remove the ground prong from the power cable.

FIXTURE OVERVIEW

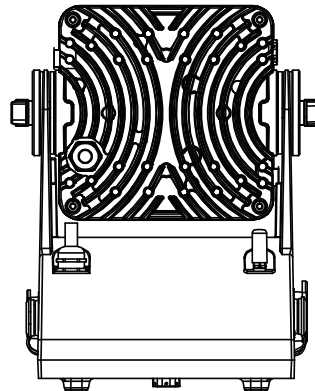
FRONT

LED Array
Removable Magnetic Frost Filter
OLED Control System Menu Display
Mode, Down, Up, Enter Buttons



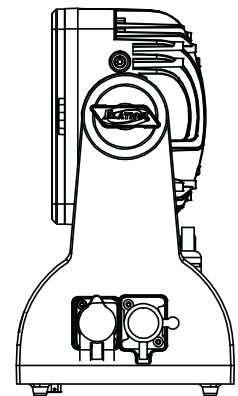
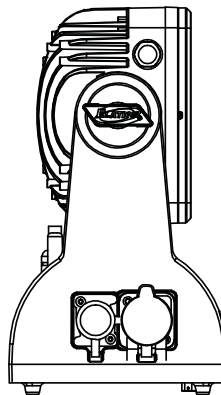
BACK

E-FLY Wireless DMX Antenna



SIDES

Manual Tilt Adjustment Knobs
IP65 Twist Lock Power In/Out
IP65 5pin DMX In/Out



BOX CONTENTS

Magnetic Frost Filter
Frost Filter Safety Cable
Fixture Safety Cable
Omega Bracket
IP65 Twist Lock Power Cable

FIXTURE INSTALLATION



FLAMMABLE MATERIAL WARNING

Keep fixture minimum 5.0 feet (1.5m) away from flammable materials and/or pyrotechnics.



ELECTRICAL CONNECTIONS

A qualified electrician should be used for all electrical connections and/or installations.



USE CAUTION WHEN POWER LINKING OTHER MODEL FIXTURES AS THE POWER CONSUMPTION OF OTHER MODEL FIXTURES MAY EXCEED THE MAX POWER OUTPUT ON THIS FIXTURE. CHECK SILK SCREEN FOR MAX AMPS.



MINIMUM DISTANCE TO OBJECTS/SURFACES MUST BE 1.6 FOOT (0.5 METER)



MINIMUM DISTANCE OF INFLAMMABLE MATERIALS FROM THE SURFACE 1.6 FEET (0.5 METER)



MAXIMUM AMBIENT OPERATING TEMPERATURE 113°F. (45°C)



DO NOT INSTALL THE FIXTURE IF YOU ARE NOT QUALIFIED TO DO SO!

Fixture **MUST** be installed following all local, national, and country commercial electrical and construction codes and regulations.

Before rigging/mounting a single fixture or multiple fixtures to any metal truss/structure or placing the fixture(s) on any surface, a professional equipment installer **MUST** be consulted to determine if the metal truss/structure or surface is properly certified to safely hold the combined weight of the fixture(s), clamps, cables, and accessories.

Overhead rigging requires extensive experience, including amongst others calculating working load limits, installation material being used, and periodic safety inspection of all installation material and the fixture. If you lack these qualifications, do not attempt the installation yourself. Improper installation can result in bodily injury.

Maximum ambient operating temperature is **113°F. (45°C)**

Fixture(s) should be installed in areas outside walking paths, seating areas, or away from areas where unauthorized personnel might reach the fixture by hand.

NEVER stand directly below the fixture(s) when rigging, removing or servicing.

Overhead fixture installation must always be secured with a secondary safety attachment, such as an appropriately rated safety cable.

Allow approximately 15 minutes for the fixture to cool down before serving.

FIXTURE INSTALLATION

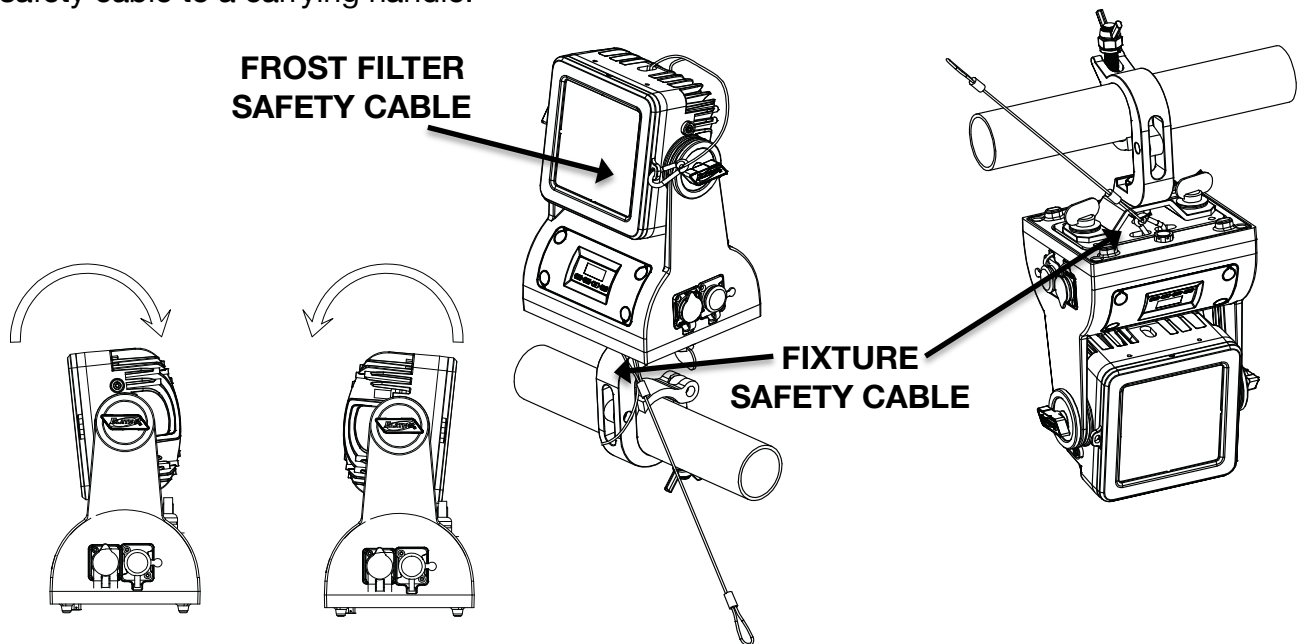
OMEGA BRACKET INSTALLATION

Insert 1 or both Omega Brackets into the matching holes on the bottom of the fixture. Secure the Omega Bracket to the fixture by turning each quick-lock fastener ¼ turn clockwise; making sure the fastener is completely locked. Omega Bracket can be installed into the fixture base as illustrated below.



CLAMP INSTALLATION

When mounting fixture to truss, be sure to secure an appropriately rated professional grade rigging clamp to the included **Omega Bracket** using an M10 screw fitted through the center hole of the **Omega Bracket**. The fixture provides a built-in rigging points for a **FIXTURE SAFETY CABLE** and **FROST FILTER SAFETY CABLE**. Be sure to use the designated rigging points for the **FIXTURE** and **FROST FILTER SAFETY CABLES** and never secure a safety cable to a carrying handle.



TILT POSITION ADJUSTMENT

The fixture head tilt position can be manually adjusted by loosening the tilt adjustment knobs on both sides and positioning the head to a desired tilt position.



TIGHTEN/SECURE BOTH TILT ADJUSTMENT KNOBS TO PREVENT UNWANTED FIXTURE HEAD MOVEMENT.

FIXTURE INSTALLATION

RIGGING

Overhead rigging requires extensive experience, including amongst others calculating working load limits, installation material being used, and periodic safety inspection of all installation material and the fixture. If you lack these qualifications, do not attempt the installation yourself. Improper installation can result in bodily injury.



ALWAYS ATTACH AN APPROPRIATELY RATED SAFETY CABLE (NOT INCLUDED) THAT MEETS ALL LOCAL, NATIONAL, AND COUNTRY CODES AND REGULATIONS WHENEVER INSTALLING FIXTURE IN A SUSPENDED ENVIRONMENT!

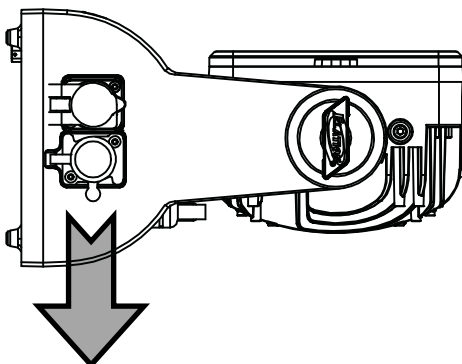


SAFETY CABLE ATTACHMENT POINT

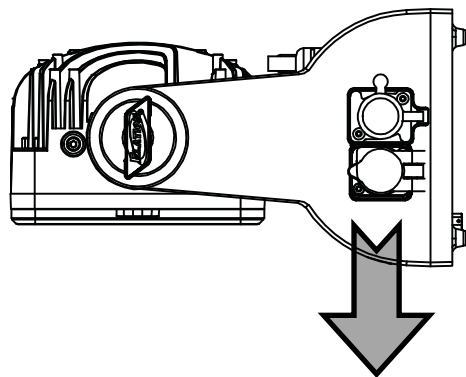
POWER AND DATA CABLES



TO MAINTAIN THE IP65 RATING INTEGRITY OF THE FIXTURE, ALL CABLES MUST BE RUN TOWARDS THE GROUND TO PREVENT WATER ACCUMULATION AROUND THE CONNECTIONS. (see illustration below)



CABLES



CABLES

FIXTURE INSTALLATION

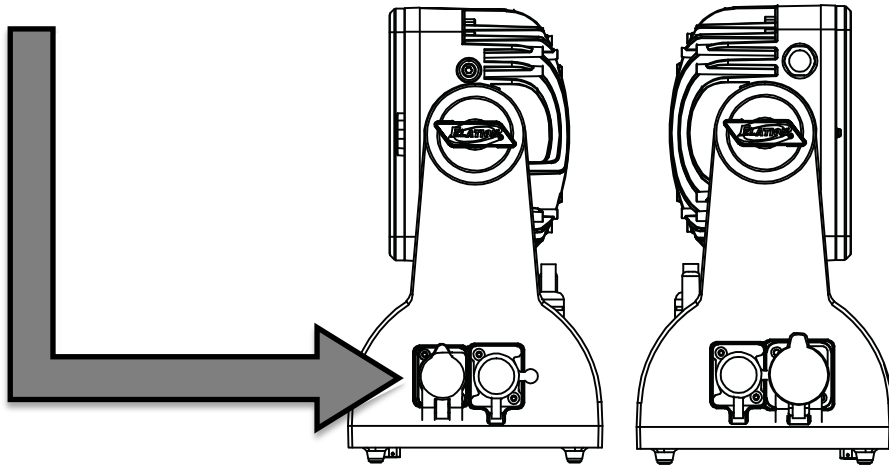
POWER AND DATA CONNECTIONS



ENSURE ALL CONNECTIONS AND END CAPS ARE PROPERLY SEALED WITH A DIELECTRIC GREASE (AVAILABLE AT MOST ELECTRICAL SUPPLIERS) TO PREVENT WATER CORROSION AND/OR ELECTRICAL SHORT CIRCUIT.



TO MAINTAIN IP65 RATING INTEGRITY AND PREVENT WATER FROM ENTERING THE FIXTURE, SEAL ALL UNUSED CONNECTION RUBBER CAPS.



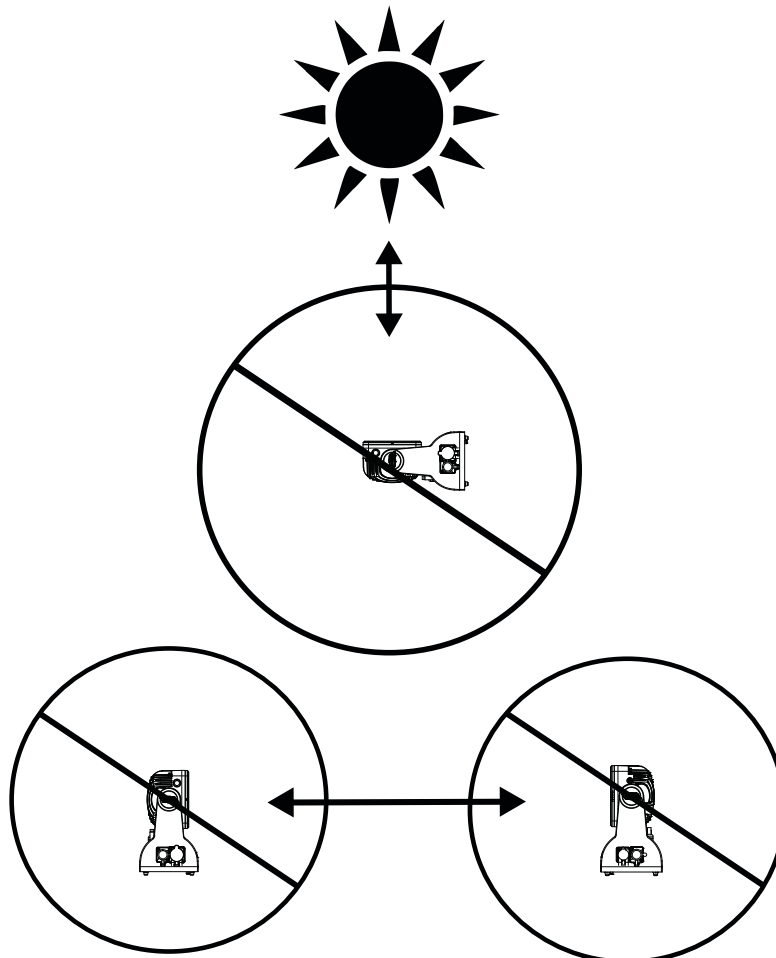
FIXTURE INSTALLATION

POTENTIAL INTERNAL FIXTURE DAMAGE FROM EXTERNAL SOURCES OF LIGHT BEAMS

External sources of light beams from direct sunlight, lighting moving head fixtures, and lasers, which are focused directly towards the exterior housing and/or penetrate the front lens opening of ELATION lighting fixtures, can cause severe internal damage including burning to optics, light pipes, dichroic color filters, glass and metal gobos, prisms, animation wheels, frost filters, iris, shutters, motors, belts, wiring, discharge lamps, and LEDs.

This issue is not specific only to ELATION lighting fixtures, it is a common issue with lighting fixtures from all manufacturers. Although there is no true way to fully prevent this issue from happening, the guidelines below can prevent any potential damage from occurring if followed. Contact ELATION Service for more details.

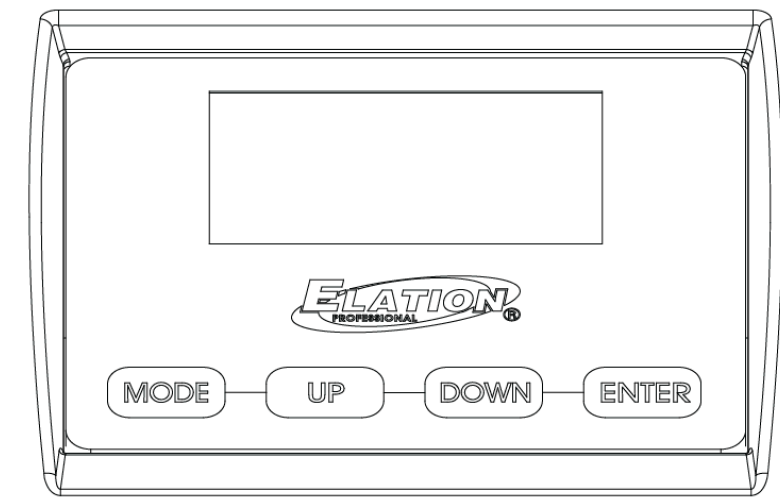
DO NOT EXPOSE THE FIXTURE AND/OR FRONT LENS OPENING TO LIGHT BEAMS FROM DIRECT SUNLIGHT, OTHER LIGHTING MOVING HEAD FIXTURES, AND LASERS WHILE UNPACKING, INSTALLATION, USE, AND EXTENDED IDLE TIMES OUTDOORS. DO NOT FOCUS A LIGHT BEAM FROM ONE LIGHTING FIXTURE DIRECTLY TOWARDS ANOTHER.



SYSTEM MENU

The fixture includes an easy to navigate system menu. The control panel (see image below) located on the front of the fixture, provides access to the main system menu and is where all necessary system adjustments are made to the fixture. During normal operation, pressing **MODE** button once will access the fixture's main menu. Once in the main menu you can navigate through the different functions and access the sub-menus with the **UP** and **DOWN** buttons. Once you reach a field that requires adjusting, press the **ENTER** button to activate that field and use the **UP** and **DOWN** buttons to adjust the field. Pressing the **ENTER** button once more will confirm your setting. You may exit the main menu at any time without making any adjustments by pressing the **MODE** button.

To unlock and access the system menus press and hold the **MODE** button for 5+ seconds.



DISPLAY KEY LOCK FUNCTIONS (ON / ON1)

When the Key Lock sub menu is set to **ON**, the LCD display will turn OFF and lock after 30 seconds and the display will show **LOCKED*******.

Press and hold the **MODE** button for 5+ seconds to unlock and access the system menus.

When Key Lock sub menu is set to **ON1**, the LCD display will turn OFF and lock after 30 seconds the display will show **LOCK*******.

Follow these steps to unlock and access the system menus:

1. Press MENU, the display shows: **LOCK*******
2. Press UP, then the display will change to: **LOCK****** (one * disappears)
3. Press DOWN, then the display will change to: **LOCK***** (two * disappear)
4. Press UP, then the display will change to: **LOCK**** (three * disappear)
5. Press DOWN, then the display will change to: **LOCK*** (4 * disappear)
6. Press ENTER, then the display will unlock, and system menus can now be accessed.

ELATION PALADIN CUBE™ - SYSTEM MENU

Supports Software Versions: ≥ 1.01

Features are subject to change without notice.

MENU	SUB MENU	OPTIONS / VALUES (Default Settings in BOLD)	DESCRIPTION	
Address	Set ADDR	001 - 497	Set DMX Address	
Mode		Extended 16CH	Set DMX Channel Mode	
		Cells 24CH		
		Cells+Dim 26CH		
		Extended+Cells 32CH		
		HSI 4CH		
		HSI Extended 10CH		
		HIS+Cells 17CH		
		RGB 3CH		
		8bit 4CH		
		16bit 8CH		
		16+Dim 10CH		
Function	No DMX	Hold / Black / Program	Fixture State When NO DMX Signal	
	LCD. Set	Display	On / Off	Enable Display Screensaver
		Key Lock	On / On1 / Off	Display Lock Functions
		Flash	On / Off	Display Flashes When NO DMX Signal
		Inverse	On / Off	Flip Display 180°
	Temp. C/F	C / F	Set Temperature Display C° or F°	
	DimMode		0.0, 0.1 ~ 1.0 (increments of 0.1), 1.5, 2.0 ~ 10.0	Set Dimming Speed / Dim Mode
			Standard	
			Stage	
			TV	
			Architec	
			Theatre	
	Disp. Set	Disp. CH	ADDR ADDR:xxx	Displays Fixture Current DMX Address
			ALL, Strobe, Dimmer, DimFine, DimMode, Red1, Green1, Blue1, White1, Red2, Green2, Blue2, White2, Red3, Green3, Blue3, White3, None, Chase, Chase. Sp, Chase F, Macro, R1Fine, G1Fine, B1Fine, W1Fine, R2Fine, G2Fine, B2Fine, W2Fine, R3Fine, G3Fine, B3Fine, W3Fine	Displays Current DMX Values
	Fan		Auto / High / Low	Set Fan Speed
	Flip		Standard / Flip1	Set Pixel Flip
	DimCurve		Linear	Set Dimming Curve
Square				
InSquare				
S-Curve				

ELATION PALADIN CUBE™ - SYSTEM MENU

Supports Software Versions: ≥ 1.01

MENU	SUB MENU	OPTIONS / VALUES (Default Settings in BOLD)	DESCRIPTION	
Function	Frequen	900 HZ, 1000HZ, 1100HZ, 1200HZ , 1300HZ, 1400HZ, 1500HZ, 2500HZ, 4000HZ, 5000HZ, 10kHz, 15kHz, 20kHz, 25kHz	Set LED Refresh Frequency Rate	
	FLY_CH	00 ~ 14	Set E-FLY Wireless Channel	
	FLY_Swit	On / Off	Enable E-FLY Wireless	
	Defaults	Cancel / Reset?	Reset Factory Default Settings	
Program	Speed	01 ~ 99	Set Speed of Color Change/Fade Programs	
	Color	STATIC	STROBE 0 ~ 255	Set Internal Programs
		CHANG15	STROBE 0 ~ 255	
		CHANG30	STROBE 0 ~ 255	
		FADE	STROBE 0 ~ 255	
	Macros	0 ~ 63	Select Internal Program Macros	
Slave	SLAVE / OFF	Set Fixture Slave Mode		
Info	TimeInfo	Current	XX (H)	Current Fixture Running Time (Hours)
		Total	XX (H)	Total Fixture Operating Time (Hours)
		Last	XX (H)	Fixture Running Time After Last Cleared (Hours)
		Password	Password=XXX (050 or 060)	Clear Password (050) or (060)
		Clear	On / Off	Clear Fixture Running Time
	TempInfo	LED Temp XXF°	Displays Fixture Temperature	
	Err. Info	Errors	Displays Fixture Errors	
	Modellnf	Paladin Panel	Displays Model Name	
	Software	V1.01	Displays Software Version	
Manual	Strobe	000 ~ 255	Manual Control Settings	
	Dimmer	000 ~ 255		
	DimFine	000 ~ 255		
	DimMode	000 ~ 255		
	Red	000 ~ 255		
	Green	000 ~ 255		
	Blue	000 ~ 255		
	White	000 ~ 255		

ELATION PALADIN CUBE™ - SYSTEM MENU

Supports Software Versions: ≥ 1.01

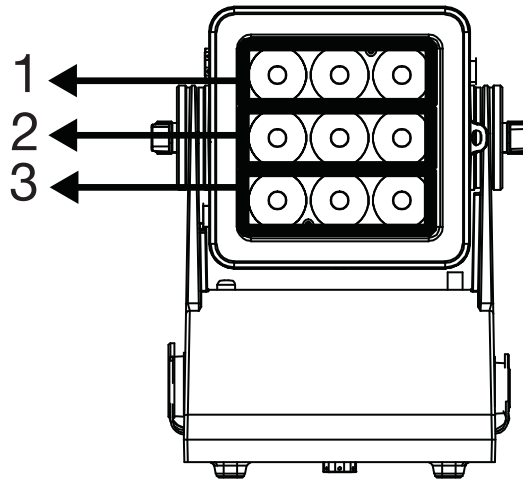
MENU	SUB MENU	OPTIONS / VALUES (Default Settings in BOLD)	DESCRIPTION	
Calibrat	Password	Password=XXX (050)	Channel Data Calibration Password	
	Red1	050 ~ 255	Set Calibration Values	
	Green1	050 ~ 255		
	Blue1	050 ~ 255		
	White1	050 ~ 255		
	Red2	050 ~ 255		
	Green2	050 ~ 255		
	Blue2	050 ~ 255		
	White2	050 ~ 255		
	Red3	050 ~ 255		
	Green3	050 ~ 255		
	Blue3	050 ~ 255		
	White3	050 ~ 255		

PIXEL ZONE CONTROL

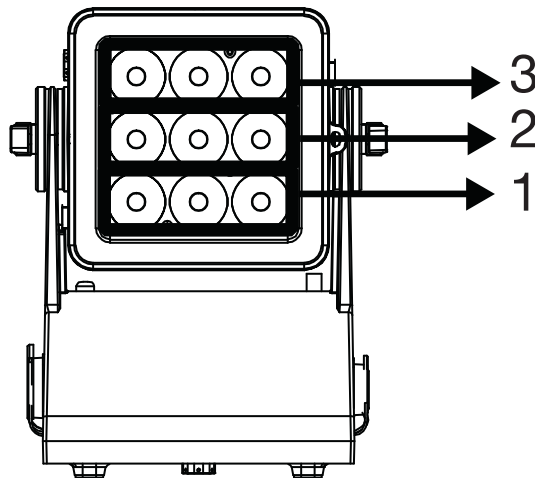
This fixture includes 3-pixel zones, each zone containing 3 LED pixels which can be controlled when specific DMX channel modes are selected. The system menu includes a FLIP setting which flips the pixel zones to support unique fixture mounting scenarios.

NOTE: Pixel zones control varies depending on the DMX Channel and FLIP modes selected and/or the fixture head tilt position. (see diagrams below)

STANDARD



FLIP1



E - FLY WIRELESS DMX SET UP



BEFORE SETTING THE WIRELESS CHANNEL ON ANY E-FLY FIXTURE, MAKE SURE THE CONTROLLING E-FLY WIRELESS DMX TRANSCIVER DEVICE IS OFF.

TO CONTROL FIXTURE WITH E-FLY WIRELESS DMX SIGNAL

1. Ensure the controlling **E-FLY** wireless DMX Transceiver device is powered **OFF** and the fixture is powered **OFF** and NO DMX cable is connected to the fixture.
2. Power **ON** fixture and from the OLED control panel navigate to the sub menu **FLY_CH** in the **FUNCTION** main system menu, then set the desired **E-FLY** wireless channel (**00-14**) to the same channel of the controlling **E-FLY** DMX Transceiver device.
3. Navigate to sub menu **FLY_Swit** in the **FUNCTION** main system menu and select **ON**.

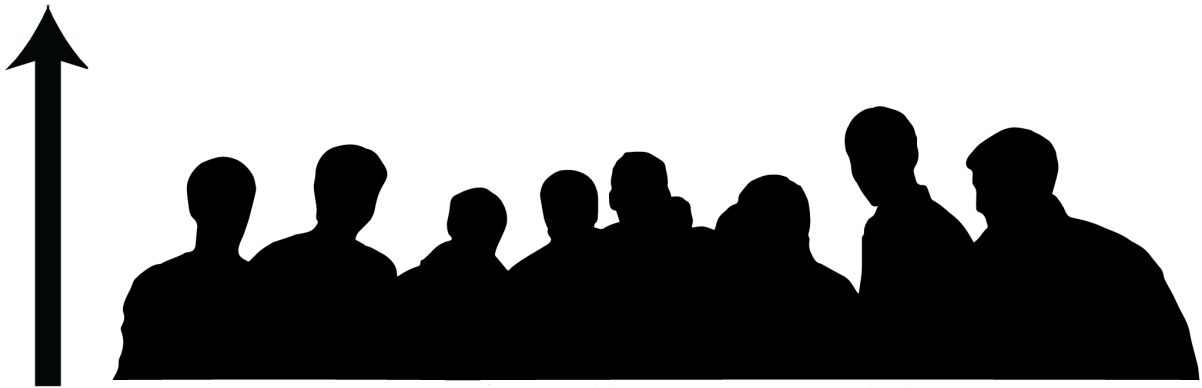
NOTE: Erratic fixture movement may occur if other E-FLY wireless DMX products are in use in the same area and are using the same E-FLY wireless channel. The fixture may immediately start to respond to the DMX wireless signal from another E-FLY wireless DMX Transceiver immediately when E-FLY is enabled. Make sure to know what E-FLY wireless channels are being used in the area where the fixture is being installed.

4. Repeat this process for all **E-FLY** compatible fixtures in the **E-FLY** wireless network, making sure all fixtures are assigned the same **E-FLY** wireless channel.
5. After all fixtures in the **E-FLY** wireless network have been set to the same **E-FLY** wireless channel and powered **ON**, now power **ON** the controlling **E-FLY** DMX Transceiver device.
6. Test all fixtures connected to the **E-FLY** wireless network to confirm proper functionality.

WIRELESS E-FLY INSTALLATION LOCATION GUIDELINES

Wireless DMX signal can penetrate walls, glass, metal, and most objects. However, there are many factors that can affect and/or interrupt the wireless DMX signal, one of which is people. Therefore, it is highly recommended to position the wireless antenna a minimum of 9.8 ft. (3m) above audiences and/or above ground level. Careful planning and testing of the selected installation location is critical to ensure optimum and reliable wireless DMX operation.

**9.8 ft (3m)
Above Ground**



DMX CHANNEL FUNCTIONS AND VALUES

ELATION PALADIN CUBE™

RGB MODES - DMX Channel Values / Functions (32 Total DMX Channels)

Supports Software Versions: ≥ 1.0.1

Features subject to change without notice.
*Pixel Zone Control depends on DMX Mode, Flip setting, and fixture head tilt position.

RGB 3CH	8bit 4CH	16bit 8CH	16bit +Dim 10CH	Extended 16CH	Cells 24CH	Cells+Dim 26CH	Extended +Cells 32CH	Value	Function	Default	Snap
				1			1		Strobe		
								0-31	Closed		
								32-63	Open		
								64-95	Strobe (slow → fast)		
								96-127	Open	50	X
								129-159	Pulse (slow → fast)		
								160-191	Open		
								192-223	Random (slow → fast)		
								224-255	Open		
			1	2		1	2		Master Intensity	0	
								0-255	Close → Open		
			2	3		2	3		Master Intensity Fine	0	
								0-255	Close → Open		

RGB 3CH	8bit 4CH	16bit 8CH	16bit +Dim 10CH	Extended 16CH	Cells 24CH	Cells+Dim 26CH	Extended +Cells 32CH	Value	Function	Default	Snap
									Dim Modes		
								0-20	Standard		
								21-40	Stage		
								41-60	TV		
								61-80	Architectural		
								81-100	Theatre		
								101-120	Stage 2		
									Dimmer Delay Time		
								121	0s		
								122	0.1s (default)		
								123	0.2s		
								124	0.3s		
								125	0.4s		
								126	0.5s		
				4			4	127	0.6s	0	X
								128	0.7s		
								129	0.8s		
								130	0.9s		
								131	1.0s		
								132	1.5s		
								133	2.0s		
								134	3.0s		
								135	4.0s		
								136	5.0s		
								137	6.0s		
								138	7.0s		
								139	8.0s		
								140	9.0s		
								141	10s		
								142-255	Default		

RGB 3CH	8bit 4CH	16bit 8CH	16bit +Dim 10CH	Extended 16CH	Cells 24CH	Cells+Dim 26CH	Extended +Cells 32CH	Value	Function	Default	Snap
									Control		
								0-19	Idle		
								20-24	Program 1		
								25-29	Program 2		
								30-34	Program 3		
								35-39	Program 4		
								40-44	Program 5		
								45-49	Program 6		
								50-54	Program 7		
								55-59	Program 8		
								60-64	Program 9		
								65-69	Program 10		
								70-74	Program 11		
								75-79	Program 12		
								80-100	Idle		
									Change Refresh Rate (Hz) (Hold 1s)		
								101-105	900		
								106-110	1000		
				5			5	111-115	1100	0	X
								116-120	1200 (default)		
								121-125	1300		
								126-130	1400		
								131-135	1500		
								136-140	2500		
								141-145	4000		
								146-150	5000		
								151-155	10000		
								156-160	15000		
								161-165	20000		
								166-170	25000		
								171-200	Idle		
									Dimmer Curves (Hold 3s)		
								201-210	Linear (default)		
								211-220	Square		
								221-230	Inverse Square		
								231-240	S-Curve		
								241-255	Idle		

RGB 3CH	8bit 4CH	16bit 8CH	16bit +Dim 10CH	Extended 16CH	Cells 24CH	Cells+Dim 26CH	Extended +Cells 32CH	Value	Function	Default	Snap
				6			6		Program Speed	128	
							0 - 255	Speed (slow → fast)			
				7			7		Program Fade	128	
							0 - 255	Fade (slow → fast)			
				8			8		Color Macros	0	X
							0 - 255	Macro (1→ 64)			
1	1	1	3	9					Red		
							0 - 255	0 → 100%			
		2	4	10					Red Fine		
							0 - 255	0 → 100%			
2	2	3	5	11					Green		
							0 - 255	0 → 100%			
		4	6	12					Green Fine		
							0 - 255	0 → 100%			
3	3	5	7	13					Blue		
							0 - 255	0 → 100%			
		6	8	14					Blue Fine		
							0 - 255	0 → 100%			
	4	7	9	15					White		
							0 - 255	0 → 100%			
		8	10	16					White Fine		
							0 - 255	0 → 100%			

RGB 3CH	8bit 4CH	16bit 8CH	16bit +Dim 10CH	Extended 16CH	Cells 24CH	Cells+Dim 26CH	Extended +Cells 32CH	Value	Function	Default	Snap
					1	3	9	0 - 255	Red1 0 → 100%		
					2	4	10	0 - 255	Red1 Fine 0 → 100%		
					3	5	11	0 - 255	Green1 0 → 100%		
					4	6	12	0 - 255	Green1 Fine 0 → 100%		
					5	7	13	0 - 255	Blue1 0 → 100%		
					6	8	14	0 - 255	Blue1 Fine 0 → 100%		
					7	9	15	0 - 255	White1 0 → 100%		
					8	10	16	0 - 255	White1 Fine 0 → 100%		
					9	11	17	0 - 255	Red2 0 → 100%		
					10	12	18	0 - 255	Red2 Fine 0 → 100%		
					11	13	19	0 - 255	Green2 0 → 100%		
					12	14	20	0 - 255	Green2 Fine 0 → 100%		
					13	15	21	0 - 255	Blue2 0 → 100%		
					14	16	22	0 - 255	Blue2 Fine 0 → 100%		
					15	17	23	0 - 255	White2 0 → 100%		
					16	18	24	0 - 255	White2 Fine 0 → 100%		
					17	19	25	0 - 255	Red3 0 → 100%		
					18	20	26	0 - 255	Red3 Fine 0 → 100%		
					19	21	27	0 - 255	Green3 0 → 100%		
					20	22	28	0 - 255	Green3 Fine 0 → 100%		
					21	23	29	0 - 255	Blue3 0 → 100%		
					22	24	30	0 - 255	Blue3 Fine 0 → 100%		
					23	25	31	0 - 255	White3 0 → 100%		
					24	26	32	0 - 255	White3 Fine 0 → 100%		

ELATION PALADIN CUBE™

HSI MODES - DMX Channel Values / Functions (17 Total DMX Channels)

Supports Software Versions: ≥ 1.0.1

Features subject to change without notice.
*Pixel Zone Control depends on DMX Mode, Flip setting, and fixture head tilt position.

HSI 4CH	HSI-Extended 10CH	HSI+Cells 17CH	Value	Function	Default	Snap
	1	1		Strobe	50	X
			0 - 31	Closed		
			32 - 63	Open		
			64 - 95	Strobe (slow → fast)		
			96 - 127	Open		
			129-159	Pulse (slow → fast)		
			160 - 191	Open		
			192 - 223	Random (slow → fast)		
	224 - 255	Open				
1	2	2		Master Intensity	0	
			0 - 255	Close → Open		
2	3	3		Master Intensity Fine	0	
			0 - 255	Close → Open		

HSI 4CH	HSI-Extended 10CH	HSI+Cells 17CH	Value	Function	Default	Snap
				Dim Modes		
			0 - 20	Standard		
			21 - 40	Stage		
			41 - 60	TV		
			61- 80	Architectural		
			81- 100	Theatre		
			101- 120	Stage 2		
				Dimmer Delay Time		
			121	0s		
			122	0.1s(default)		
			123	0.2s		
			124	0.3s		
			125	0.4s		
			126	0.5s		
			127	0.6s		
			128	0.7s		
			129	0.8s		
			130	0.9s		
			131	1.0s		
			132	1.5s		
			133	2.0s		
			134	3.0s		
			135	4.0s		
			136	5.0s		
			137	6.0s		
			138	7.0s		
			139	8.0s		
			140	9.0s		
			141	10s		
			142 - 255	Default		
	4	4			0	X

HSI 4CH	HSI-Extended 10CH	HSI+Cells 17CH	Value	Function	Default	Snap
				Control		
			0 -19	Idle		
			20-24	Program 1		
			25-29	Program 2		
			30-34	Program 3		
			35-39	Program 4		
			40-44	Program 5		
			45-49	Program 6		
			50-54	Program 7		
			55-59	Program 8		
			60-64	Program 9		
			65-69	Program 10		
			70-74	Program 11		
			75-79	Program 12		
			80-100	Idle		
				Change Refresh Rate (Hz) (Hold 1s)		
			101 - 105	900		
			106 - 110	1000		
	5	5	111 - 115	1100	0	X
			116 - 120	1200 (default)		
			121 - 125	1300		
			126 - 130	1400		
			131 - 135	1500		
			136 - 140	2500		
			141 - 145	4000		
			146 - 150	5000		
			151 - 155	10000		
			156 - 160	15000		
			161 - 165	20000		
			166 - 170	25000		
			171-200	Idle		
				Dimmer Curves (Hold 3s)		
			201-210	Linear (default)		
			211-220	Square		
			221-230	Inverse Square		
			231-240	S-Curve		
			241-255	Idle		

HSI 4CH	HSI-Extended 10CH	HSI+Cells 17CH	Value	Function	Default	Snap
	6	6		Program Speed	128	
			0 - 255	Speed (slow → fast)		
	7	7		Program Fade	128	
			0 - 255	Fade (slow → fast)		
	8	8		Color Macros	0	X
			0 - 255	Macro (1→ 64)		
3	9	9		Hue	0	
			0 - 255	0 → 100%		
4	10	10		Saturation	255	
			0 - 255	0 → 100%		
		11		Intensity	255	
			0 - 255	0 → 100%		
		12		Hue 2	0	
			0 - 255	0 → 100%		
		13		Saturation 2	255	
			0 - 255	0 → 100%		
		14		Intensity 2	255	
			0 - 255	0 → 100%		
		15		Hue 3	0	
			0 - 255	0 → 100%		
		16		Saturation 3	255	
			0 - 255	0 → 100%		
		17		Intensity 3	255	
			0 - 255	0 → 100%		
			0 - 255	0 → 100%		

S P E C I F I C A T I O N S

SOURCE

(9) 15W RGBW LEDs

50,000 Hour Average LED Life*

*Test lab conditions. May vary depending on several factors including but not limited to: Environmental Conditions, Power/Voltage, Usage Patterns (On-Off Cycling), Control, and Dimming.

COLOR

RGBW

CONTROL / CONNECTIONS

11 DMX Channel Modes (32 Total Channels)

3x1 Cell Control

Manual Tilt Adjustment

DMX, RDM Protocol Support

(4) Button OLED Control Display

IP65 5pin XLR DMX In/Out

IP65 Power In/Out

SIZE / WEIGHT

Length: 7.8" (199.11mm)

Width: 5.4" (139mm)

Vertical Height: 7.8" (248.04mm)

Weight 10.5 lbs. (4.75kg)

ELECTRICAL / THERMAL

AC 100-240V - 50/60Hz

120W Max Power Consumption

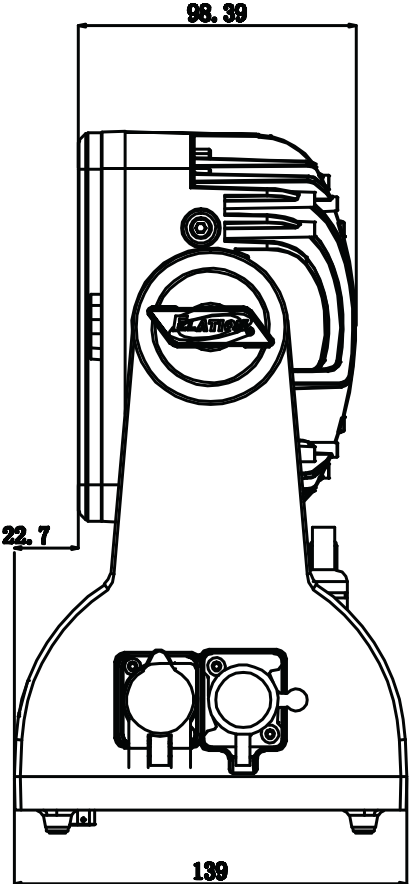
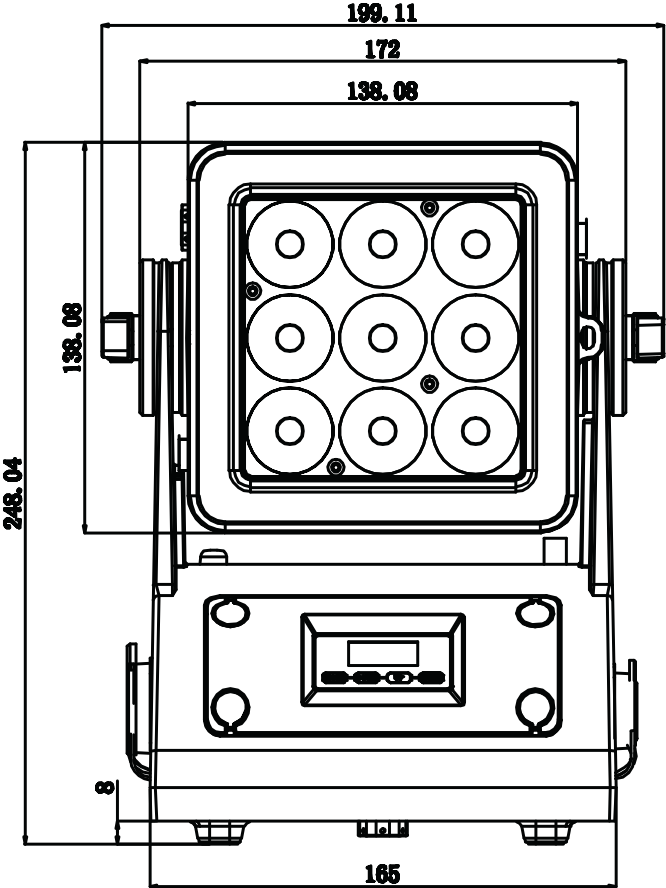
5°F to 113°F (-15°C to 45°C)

APPROVALS / RATINGS

CE | IP65

Specifications and improvements in the design of this unit and this manual are subject to change without notice.

DIMENSIONAL DRAWINGS



Specifications and improvements in the design of this unit and this manual are subject to change without notice.

OPTIONAL ACCESSORIES

ORDER CODE	ITEM
IP TESTER	IP Fixture Vacuum and Pressure Leak Tester
TRIGGER CLAMP	Heavy Duty Wrap Around Hook Style Clamp
SIP126	5 ft. (1.5m) IP65 Power Link Cable
STR527	5 ft. (1.5m) IP65 5pin XLR Cable
	Additional Cable Lengths Available

FCC STATEMENT

This device complies with Part 15 of the FCC Rules. Operation is subject to the following two conditions: (1) this device may not cause harmful interference, and (2) this device must accept any interference received, including interference that may cause undesired operation.

FCC RADIO FREQUENCY INTERFERENCE WARNINGS & INSTRUCTIONS

This product has been tested and found to comply with the limits as per Part 15 of the FCC Rules. These limits are designed to provide reasonable protection against harmful interference in a residential installation. This device uses and can radiate radio frequency energy and, if not installed and used in accordance with the included instructions, may cause harmful interference to radio communications. However, there is no guarantee that interference will not occur in a particular installation. If this device does cause harmful interference to radio or television reception, which can be determined by turning the device off and on, the user is encouraged to try to correct the interference by one or more of the following methods:

- Reorient or relocate the device.
- Increase the separation between the device and the receiver.
- Connect the device to an electrical outlet on a circuit different from which the radio receiver is connected.
- Consult the dealer or an experienced radio/TV technician for help.

Europe Energy Saving Notice

Energy Saving Matters (EuP 2009/125/EC)

Saving electric energy is a key to help protecting the environment. Please turn off all electrical products when they are not in use. To avoid power consumption in idle mode, disconnect all electrical equipment from power when not in use. Thank you

