



The **PALADIN Cube™** is a compact and powerful outdoor floodlight for a wide variety of applications. Using 9x15W RGBW cells it provides a total output of up to 3,200 lumens. Certified to IP65 it features a rugged design with a solid build quality, eliminating the need to worry about dust and water ingress. IP rated connections make it an ideal product to illuminate large areas of any outdoor event with vibrant and powerful colors. It can be operated standing on the floor or be hung in any orientation using the provided omega bracket. Cell control, strobe, Elation's E-FLY™ Internal Wireless DMX Transceiver, and removable frost filter features make the PALADIN Cube also a versatile effects fixture or audience blinder.

FEATURES

RGBW Flood Light

3x1 Cell Control

Removable Frost Filter

Rugged IP65 Design for Outdoor Events

Floor Standing or Mountable in any Orientation

Elation's E-FLY™ Internal Wireless DMX Transceiver



Removable Frost Filter

Specifications are subject to change without notice ©Elation Professional 10/22/19

Elation Professional USA | 6122 S. Eastern Ave. | Los Angeles, CA. 90040
323-582-3322 | 323-832-9142 fax | www.elationlighting.com | info@elationlighting.com

Elation Professional B.V. | Junostraat 2 | 6468 EW Kerkrade, The Netherlands
+31 45 546 85 66 | +31 45 546 85 96 fax | www.elationlighting.eu | info@elationlighting.eu

SPECIFICATIONS

SOURCE

(9) 15W RGBW LEDs
 Up To 50,000 Hours Lamp Life*

*Test Labe Conditions. May vary depending on several factors including but not limited to:
 Environmental Conditions, Power/Voltage, Usage Patterns (On-Off Cycling), Control, Dimming, and Lamp Mode.

PHOTOMETRIC DATA

6,000K Color Temperature
 3,200 Total Lumen Output
 14° Beam 25° Field Angle (without diffuser)
 26° Beam 52° Field Angle (with diffuser)

COLOR

RGBW

CONTROL / CONNECTIONS

11 DMX Channel Modes (32 total channels)
 3x1 Cell Control
 Manual Tilt Adjustment
 900 - 25,000 Hz DMX Adjustable Refresh Rate
 4 Button Control Panel
 180° Reversible OLD Menu Display
 DMX and RDM Protocol Support
 Elation's E-FLY™ Internal Wireless DMX Transceiver
 IP65 5pin XLR DMX In/Out
 IP65 Power In/Out

SIZE / WEIGHT

Length: 7.8 in (199.11mm)
 Width: 5.4 in (139mm)
 Height: 7.8 in (248.04mm)
 Weight: 10.5 lbs. (4.75kg)

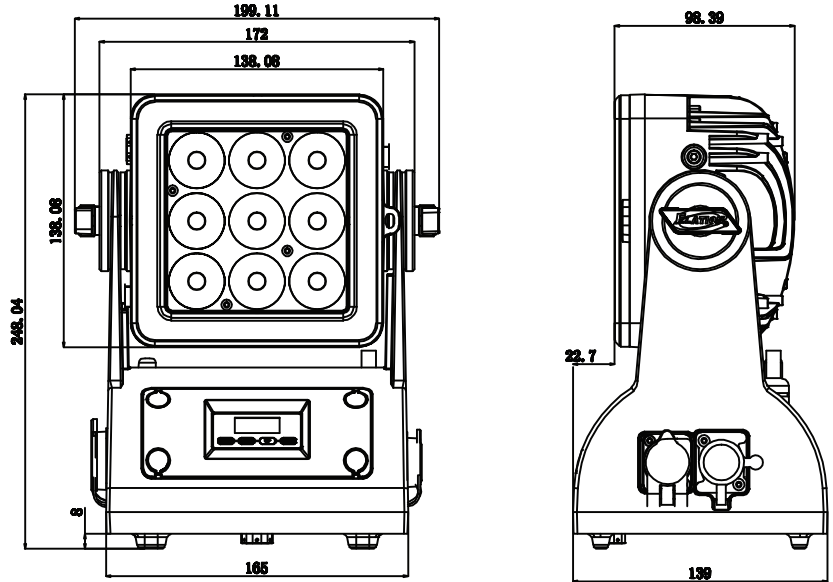
ELECTRICAL / THERMAL

AC 100-240V - 50/60Hz
 120W Max Power Consumption
 5°F to 113°F (-15°C to 45°C)

APPROVALS / RATINGS

CE | | IP65

DIMENSIONS



PIXEL ZONE CONTROL

ORDERING INFORMATION

PAL258

PALADIN CUBE

STANDARD

