



The **PALADIN Brick™** is a compact and powerful outdoor flood light for a wide variety of applications. Using 24x15W RGBW cells it provides a total output of up to 9,600 lumens. Certified to IP65 it features a rugged design with a solid build quality, eliminating the need to worry about dust and water ingress. IP rated connections make it an ideal product to illuminate large areas of any outdoor event with vibrant and powerful colors. It can be operated standing on the floor or be hung in any orientation using the provided omega brackets. Cell control, strobe, Elation's E-FLY™ Internal Wireless DMX Transceiver, and removable frost filter features make the PALADIN Cube also a versatile effects fixture or audience blinder.

#### FEATURES

**RGBW Flood Light**

**3x2 Cell Control**

**Removable Frost Filter**

**Rugged IP65 Design for Outdoor Events**

**Floor Standing or Mountable in any Orientation**

**Elation's E-FLY™ Internal Wireless DMX Transceiver**



**Removable Frost Filter**

Specifications are subject to change without notice ©Elation Professional 10/0719

Elation Professional USA | 6122 S. Eastern Ave. | Los Angeles, CA. 90040  
323-582-3322 | 323-832-9142 fax | www.elationlighting.com | info@elationlighting.com

Elation Professional B.V. | Junostraat 2 | 6468 EW Kerkrade, The Netherlands  
+31 45 546 85 66 | +31 45 546 85 96 fax | www.elationlighting.eu | info@elationlighting.eu

**SPECIFICATIONS**

**SOURCE**

(24) 15W RGBW LEDs  
Up To 50,000 Hours Lamp Life\*

\*Test Labe Conditions. May vary depending on several factors including but not limited to:  
Environmental Conditions, Power/Voltage, Usage Patterns (On-Off Cycling), Control, Dimming, and Lamp Mode.

**PHOTOMETRIC DATA**

6,000K Color Temperature  
9,600 Total Lumen Output, CRI 71  
14° Beam 25° Field Angle (without diffuser)  
26° Beam 52° Field Angle (with diffuser)

**COLOR**

RGBW

**CONTROL / CONNECTIONS**

11 DMX Channel Modes (56 total channels)  
3x2 Cell Control  
Manual Tilt Adjustment  
900 - 25,000 Hz DMX Adjustable Refresh Rate  
4 Button Control Panel  
180° Reversible OLD Menu Display  
DMX and RDM Protocol Support  
Elation's E-FLY™ Internal Wireless DMX Transceiver  
IP65 5pin XLR DMX In/Out  
IP65 Power In/Out

**SIZE / WEIGHT**

Length: 17.2 in (438mm)  
Width: 5.8 in (147mm)  
Height: 11.3 in (286mm)  
Weight 21 lbs (9.5kg)

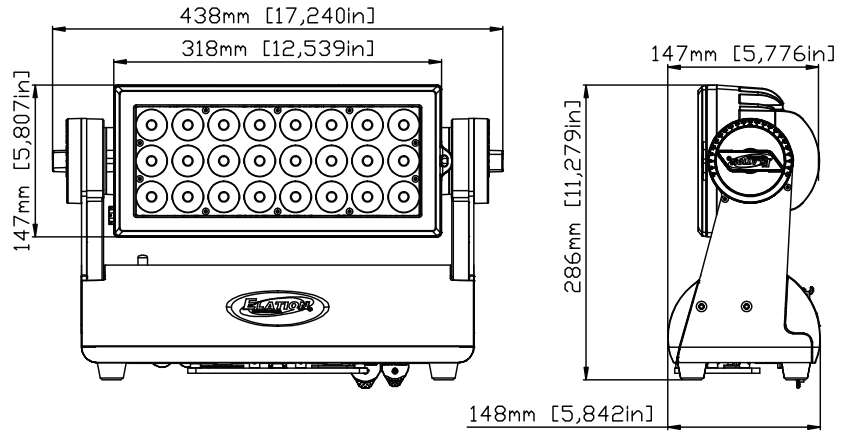
**ELECTRICAL / THERMAL**

AC 100-240V - 50/60Hz  
390W Max Power Consumption  
5°F to 113°F (-15°C to 45°C)

**APPROVALS / RATINGS**

CE | | IP65

**DIMENSIONS**



**ORDERING INFORMATION**

PAL264

PALADIN BRICK

**PIXEL ZONE CONTROL**

**STANDARD**

