

TILE REPLACEMENT LOUDSPEAKERS

SYSTEM 5/8RJ

1' x 2' CLASS

8" O.D. 8 Ohm Impedance, RJ45 Input Connection Jack



GENERAL DESCRIPTION

The **SYSTEM 5/8RJ** is a complete, shallow depth, lightweight, 1' x 2' ceiling tile replacement loudspeaker system consisting of an 8C5PAX - 8" O.D. loudspeaker with a 5 oz. magnet, 8 Ohm impedance, and an RJ45 input. Molded fiber enclosure is 617 CID. Powder coated steel baffle with standard perforation and four (4) seismic tie-off points. One (1) 24" "T" rail are included. No assembly required.

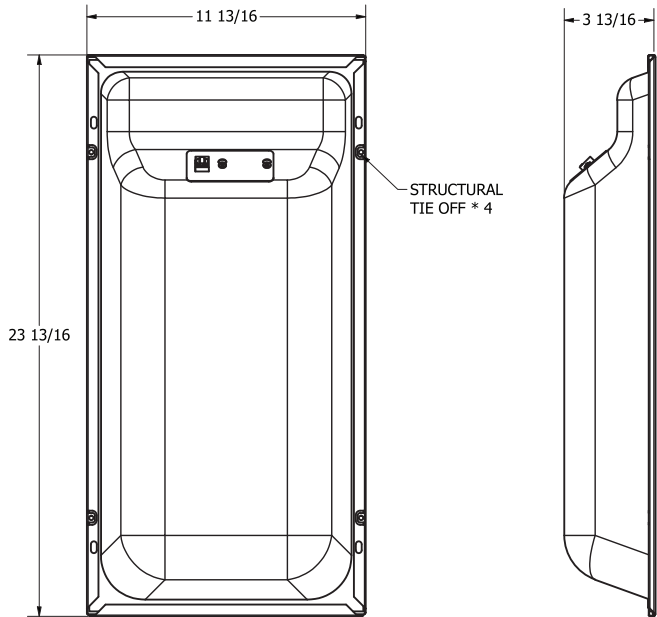


INTENDED USE - Indoor Environment

Program Material	Signal tones, voice, and music
Installation	Mounted parallel to floor plane in a 24" wide suspended ceiling tile grid.

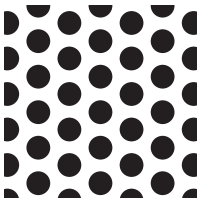
AUDIO SPECIFICATIONS

Average Sensitivity	92 dB SPL, 1W/1M
Loudspeaker Power Rating	12W RMS EIA 426A Standard
Maximum Power Rating	15W @ 8 Ohms
Calculated Output	98 dB-SPL 4W/1M
Magnet Type & Weight	BeFe Ceramic, 5 oz. Nominal
Frequency Response	65 Hz - 17 kHz EIA 426A Standard
Nominal Coverage Angle	100° Included Angle -6 dB / 2 kHz, Half space
Audio Connection	7" Leads
Unit Weight	3.85 Lbs



SYSTEM COMPONENTS

Loudspeaker	8C5PAX
--------------------	--------



Standard Perforation Pattern
Shown as 1" Square Sample

<p>Recommended construction sequences, installation instructions, and A&E Specifications are available in various formats in the Specs and Diagrams section at: www.QuamSpeakers.com</p>				<p>QUAM NICHOLS COMPANY, INC. 234 East Marquette Road. Chicago, IL. 60637 t: 1-800-NEED-NOW (800-633-3669) f: 1-888-NEED-NOW (888-633-3669) e: NeedNow@QNC.com www.QuamSpeakers.com</p>
<p>©2019 Quam Nichols Company reserves the right to make changes and/or improvements to its products at any time and without notice.</p>				