

**TILE REPLACEMENT LOUDSPEAKERS**

**SYSTEM 12/25RSRJ**

**2' x 2' CLASS**

**8" O.D. Loudspeaker, 4W-25V Rotary Select Transformer, Dual RJ45 Input Connection Jack**



**GENERAL DESCRIPTION**

The **SYSTEM 12/25RSRJ** is a complete, shallow depth, lightweight, 2' x 2' ceiling tile replacement loudspeaker system consisting of an 8C5PAX - 8" O.D. loudspeaker with a 5-oz. magnet, a 4W-25V rotary select transformer, and a dual RJ45 input connection jack. Molded fiber enclosure is 1,283 CID. Powder coated steel baffle with standard perforation and four (4) seismic tie-off points. No assembly required.

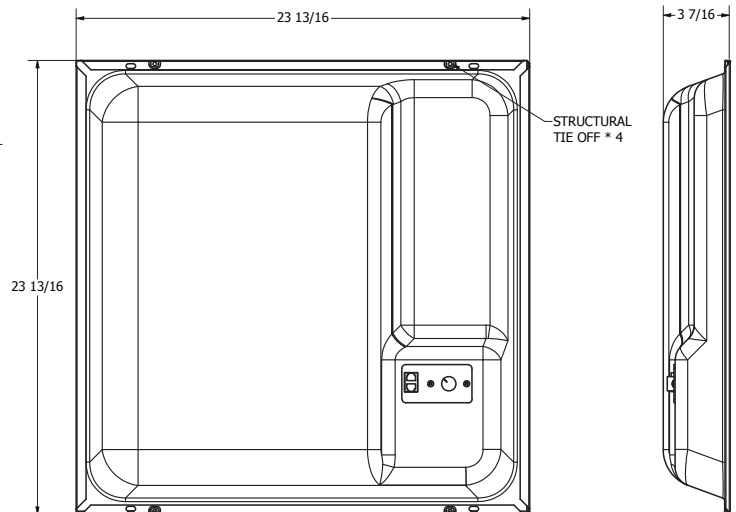


**INTENDED USE - Indoor Environment**

<b>Program Material</b>	Signal tones, voice, and music
<b>Installation</b>	Mounted parallel to floor plane in a 24" wide suspended ceiling tile grid.

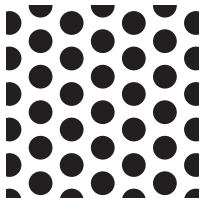
**AUDIO SPECIFICATIONS**

<b>Average Sensitivity</b>	92 dB SPL, 1W/1M
<b>Loudspeaker Power Rating</b>	12W RMS EIA 426A Standard
<b>Maximum Power Rating</b>	15W @ 8 Ohms
<b>Calculated Output</b>	98 dB-SPL 4W/1M
<b>Magnet Type &amp; Weight</b>	BeFe Ceramic, 5 oz. Nominal
<b>Frequency Response</b>	65 Hz - 17 kHz EIA 426A Standard
<b>Nominal Coverage Angle</b>	100° Included Angle -6 dB / 2 kHz, Half space
<b>Audio Connection</b>	Dual RJ45 Input Jack
<b>Unit Weight</b>	6.25 Lbs

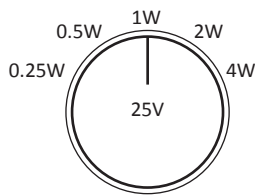


**SYSTEM COMPONENTS**

<b>Loudspeaker</b>	8C5PAX
<b>Transformer</b>	4W-25V : 5 Tap, Rotary Select (4W, 2W, 1W, 0.50W, 0.25W)



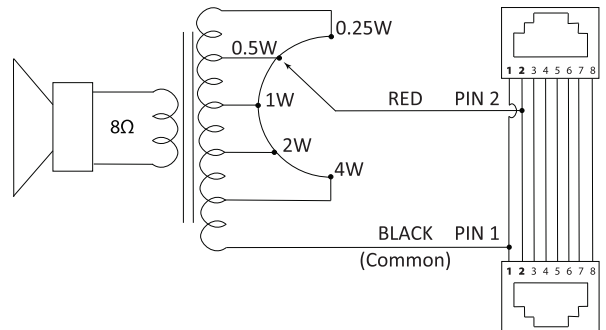
Standard Perforation Pattern  
Shown as 1" Square Sample



Speaker Tap Selector



Integrated RJ45 Input  
Connection Jack



<p>Recommended construction sequences, installation instructions, and A&amp;E Specifications are available in various formats in the Specs and Diagrams section at: <a href="http://www.QuamSpeakers.com">www.QuamSpeakers.com</a></p>				<p>QUAM NICHOLS COMPANY, INC. 234 East Marquette Road. Chicago, IL. 60637 t: 1-800-NEED-NOW (800-633-3669) f: 1-888-NEED-NOW (888-633-3669) e: <a href="mailto:NeedNow@QNC.com">NeedNow@QNC.com</a> <a href="http://www.QuamSpeakers.com">www.QuamSpeakers.com</a></p>
<p>©2019 Quam Nichols Company reserves the right to make changes and/or improvements to its products at any time and without notice.</p>				