

TILE REPLACEMENT LOUDSPEAKERS

SYSTEM 12/25RS

2' x 2' CLASS

**UL LISTED,
8" O.D. Loudspeaker, 4W-25V Rotary Select Transformer**



GENERAL DESCRIPTION

The **SYSTEM 12/25RS** is a complete, UL Listed, shallow depth, lightweight, 2' x 2' ceiling tile replacement loudspeaker system consisting of an 8C5PAX - 8" O.D. loudspeaker with a 5 oz. magnet and a 4W-25V rotary select transformer. Molded fiber enclosure is 1,283 CID. Powder coated steel baffle with standard perforation and four (4) seismic tie-off points. The cable clamp is included. No assembly required.

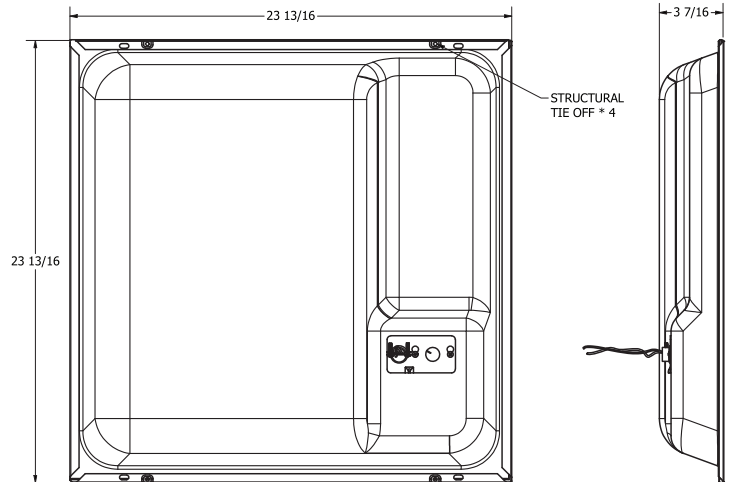


INTENDED USE - Indoor Environment

Program Material	Signal Tones, voice, and music
UL LISTED 1480	As a General Signaling Device - When installed with supplied installation instructions and requirements of NEC /AHJ. (UEAY, UEAY7- Canada)
UL LISTED 2043	Suitable for use in air-handling spaces
City of Chicago Approved	Material and construction permits use where ceiling plenum is part of the air handling system.
Installation	Mounted parallel to floor plane in a 24" wide suspended ceiling tile grid.

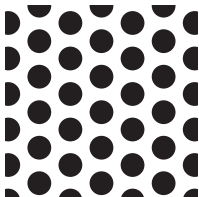
AUDIO SPECIFICATIONS

Average Sensitivity	92 dB SPL, 1W/1M
Loudspeaker Power Rating	12W RMS EIA 426A Standard
Maximum Power Rating	15W @ 8 Ohms
Calculated Output	98 dB-SPL 4W/1M
Magnet Type & Weight	BeFe Ceramic, 5 oz. Nominal
Frequency Response	65 Hz - 17 kHz EIA 426A Standard
Nominal Coverage Angle	100° Included Angle -6 dB / 2 kHz, Half space
Audio Connection	7" Leads
Unit Weight	6.35 Lbs

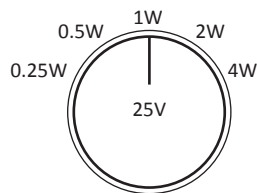


SYSTEM COMPONENTS

Loudspeaker	8C5PAX
Transformer	4W-25V : 5 Tap, Rotary Select (4W, 2W, 1W, 0.50W, 0.25W)



Standard Perforation Pattern
Shown as 1" Square Sample



Speaker Tap Selector

<p>Recommended construction sequences, installation instructions, and A&E Specifications are available in various formats in the Specs and Diagrams section at: www.QuamSpeakers.com</p>					<p>QUAM NICHOLS COMPANY, INC. 234 East Marquette Road. Chicago, IL. 60637 t: 1-800-NEED-NOW (800-633-3669) f: 1-888-NEED-NOW (888-633-3669) e: NeedNow@QNC.com www.QuamSpeakers.com</p>
<p>©2019 Quam Nichols Company reserves the right to make changes and/or improvements to its products at any time and without notice.</p>					