

ATTENUATORS

QC100P

2-GANG

100W, 10-Step, Priority 24VDC By-Pass Relay,
Stainless Steel Faceplate, Embossed Positions



GENERAL DESCRIPTION

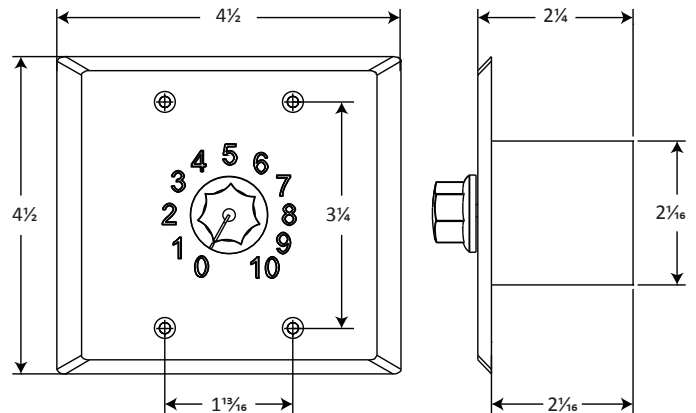
The **QC100P** is a 2-gang, 100W, ten-step, continuous rotary, audio level attenuator with a 24VDC, 0.15A priority relay actuation and an OFF position. Stainless steel faceplate with embossed positions and a black knob with white indicator mark.

INTENDED USE - Indoor Environment

Primary Use	Attenuates audio level output to any number of loudspeakers, up to 100W load. For use with 25V or 70V distributed audio systems. When internal 24VDC relay is activated, attenuator function is bypassed.
Installation	2-gang electrical box, 2-1/8"D

AUDIO SPECIFICATIONS

Power Rating	100W Continuous
Attenuation (Ref: 25V, 70.7V line)	Position 10 : Full Signal Position 9-3 : -3 dB each Positions 2-1 : -6 dB each Position 0 : No Signal
Relay Actuation	24 VDC, 0.015A
Insertion Loss	<0.5 dB
Audio Connection	10" long, pre-cut, color coded leads



Recommended construction sequences, installation instructions, and A&E Specifications are available in various formats in the Specs and Diagrams section at:
www.QuamSpeakers.com

© 2016 Quam-Nichols Company reserves the right to make changes and/or improvements to its products at any time and without notice.



QUAM-NICHOLS COMPANY, INC.
234 East Marquette Road. Chicago, IL. 60637
t: 1-800-NEED-NOW (800-633-3669)
f: 1-888-NEED-NOW (888-633-3669)
e: NeedNow@QNC.com
www.QuamSpeakers.com