



Quam

LOUDSPEAKER ASSEMBLIES

MA/E14/S6/T8

INSTALLATION INSTRUCTIONS

Preparation

Attach eyebolt.

Installation

- A) Above ceiling:
 - 1) Determine structurally sound hang point for enclosure.
 - 2) Install to desired height using hanger wire (not included).
- B) Under raised access floors:
 - 1) Rotate Enclosure with eyebolt oriented on side.
 - 2) Use under floor pedestal with eyebolt as anchor point.

NOTE! AHJ/ local codes may require secondary tie-off to structure.

Termination

- A) Feed supply cable through whip (if required) to connector.
- B) Make connections to speaker wires (Red-Positive, Black-Negative) with with approved termination devices.
- C) Feed connection points through clamp into box and tighten clamp screws.
- D) Rotate switch to desired power setting.

Figure 1

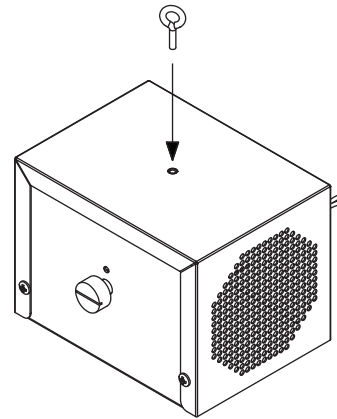


Figure 2

