

MA/E14/S6/T8

SOUND MASKING

Bi-Directional Sound Masking Loudspeaker Assembly,
Dual 4" O.D. Speakers, 4W-70V Rotary Select Transformer



GENERAL DESCRIPTION

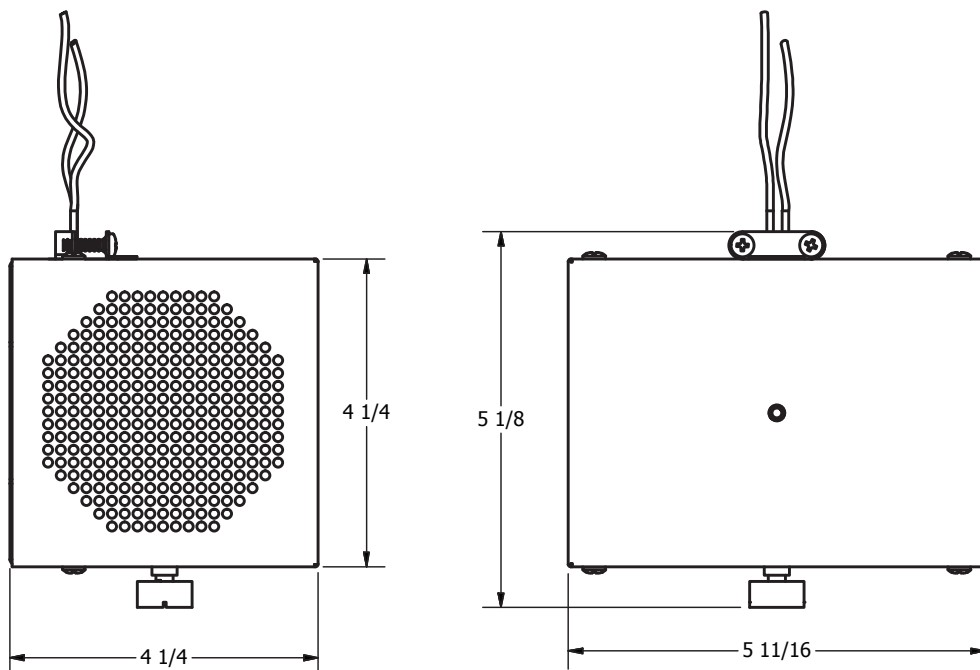
The MA/E14/S6/T8 is a compact, bi-directional sound masking loudspeaker assembly consisting of dual 4" O.D. loudspeakers with 5-oz. magnets, and a 4W-70V rotary select transformer designed for quick and easy installation under raised access floors and above suspended ceilings.

INTENDED USE - Indoor Environment

Installation	Under raised access floors, and above suspended ceilings
Program Material	<i>Primary Use</i> : Equalized random noise <i>Secondary Use</i> : Signal tones or voice

AUDIO SPECIFICATIONS

Average Sensitivity	95 dB SPL, 1W/ 1M
Loudspeaker Power Rating	10W RMS, EIA 426A Standard
Calculated Output	101dB SPL, 5W/ 1M
Magnet Type & Weight	BeFe Ceramic, 5-oz. Nominal
Frequency Response	130Hz - 9 kHz EIA 426A Standard
Nominal Coverage Angle	100° Included Angle, -6 dB / 2 kHz, Half space
Audio Connection	7" Leads
Mechanical Connection	Single point suspension
Unit Weight	6 Lbs



<p>Recommended construction sequences, installation instructions, and A&E Specifications are available in various formats in the Specs and Diagrams section at: www.QuamSpeakers.com</p>				<p>QUAM-NICHOLS COMPANY, INC. 234 East Marquette Road, Chicago, IL. 60637 t: 1-800-NEED-NOW (800-633-3669) f: 1-888-NEED-NOW (888-633-3669) e: NeedNow@QNC.com www.QuamSpeakers.com</p>
<p>©2017 Quam-Nichols Company reserves the right to make changes and/or improvements to its products at any time and without notice.</p>				