

**LOUDSPEAKER ASSEMBLIES**

**C10X/B70/WS/VC**

**CEILING MOUNTED**

**8" O.D. Loudspeaker with a 10 oz. Magnet, 4W-70V Transformer, Stud-Mount Baffle, Volume Control**



**GENERAL DESCRIPTION**

The **C10X/B70/WS/VC** consists of an 8C10PAX - 8" O.D. dual cone loudspeaker with a 10 oz. magnet, TBL70 - 4W-70V transformer with a screwdriver or knob adjusted (knob is included) volume control, and a BR8WS - round, stud-mount baffle in a white powder coat finish.

**INTENDED USE - Indoor Environment**

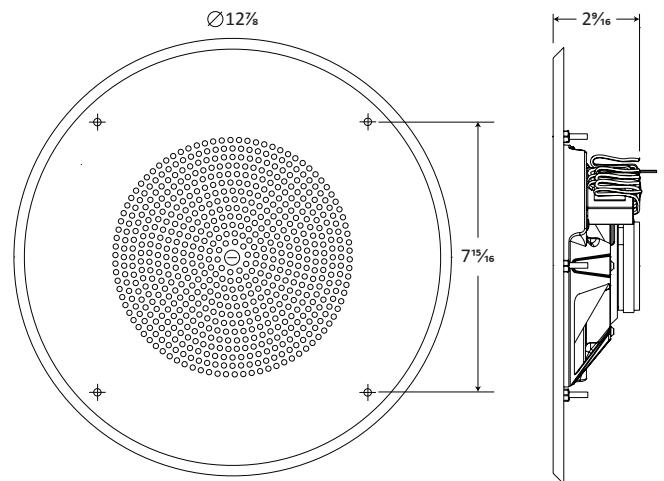
**Program Material** | Signal tones, voice, and music

**AUDIO SPECIFICATIONS**

<b>Average Sensitivity</b>	95 dB SPL, 1W/ 1M
<b>Loudspeaker Power Rating</b>	20W RMS, EIA 426A Standard
<b>Maximum Power Rating</b>	15W @ 8 Ohms
<b>Calculated Output</b>	101 dB SPL, 4W/ 1M
<b>Magnet Type &amp; Weight</b>	BeFe Ceramic, 5 oz. Nominal
<b>Frequency Response</b>	65 Hz - 17 kHz EIA 426A Standard
<b>Nominal Coverage Angle</b>	100° Included Angle, -6 dB / 2 kHz, Half space
<b>Audio Connection</b>	7" Color-Coded Leads
<b>Wattage Taps</b>	0.25W, 0.50W, 1W, 2W, 4W

**RECOMMENDED QUAM COMPONENTS**

<b>Enclosures</b>	ERD-8, ERD8U
<b>Mounting Support</b>	SSB-2, SSB-3, SSB-7



Recommended construction sequences, installation instructions, and A&E Specifications are available in various formats in the Specs and Diagrams section at: [www.QuamSpeakers.com](http://www.QuamSpeakers.com)



QUAM-NICHOLS COMPANY, INC.  
 234 East Marquette Road. Chicago, IL. 60637  
 t: 1-800-NEED-NOW (800-633-3669)  
 f: 1-888-NEED-NOW (888-633-3669)  
 e: [NeedNow@QNC.com](mailto:NeedNow@QNC.com)  
[www.QuamSpeakers.com](http://www.QuamSpeakers.com)

©2017 Quam-Nichols Company reserves the right to make changes and/or improvements to its products at any time and without notice.