



Quam

BAFFLES

BR8B

SCREW MOUNT

For 8" O.D. Speaker, Round, Screw Mount, Steel

GENERAL DESCRIPTION

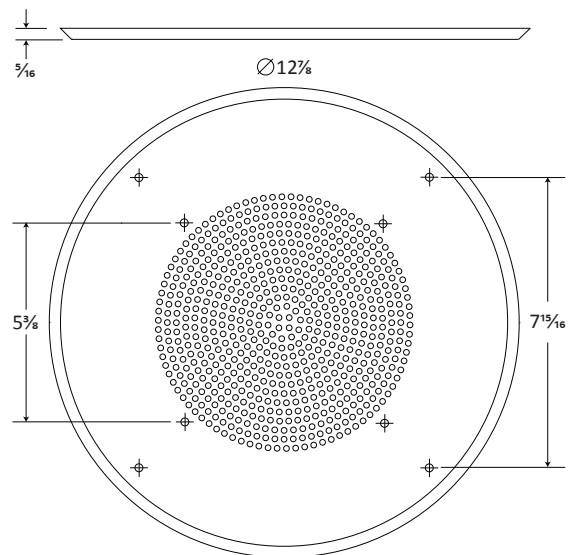
The BR8B is a round, screw mount, steel baffle for a 8" O.D. loudspeakers in a Black powder coat finish.

INTENDED USE - Indoor Environment

For use with Quam 8" O.D. loudspeakers and related components.

RECOMMENDED QUAM COMPONENTS

Loudspeakers	Quam 8" O.D. Loudspeakers
Enclosure	ERD-8, ERD8U
Mounting Device	SSB-2, SSB-3, SSB-7



Recommended construction sequences, installation instructions, and A&E Specifications are available in various formats in the Specs and Diagrams section at: www.QuamSpeakers.com



QUAM-NICHOLS COMPANY, INC.
234 East Marquette Road. Chicago, IL. 60637
t: 1-800-NEED-NOW (800-633-3669)
f: 1-888-NEED-NOW (888-633-3669)
e: NeedNow@QNC.com
www.QuamSpeakers.com

©2018 Quam-Nichols Company reserves the right to make changes and/or improvements to its products at any time and without notice.