

8C10PAX/TBLU

LOUDSPEAKER AND TRANSFORMER

8" O.D. Loudspeaker with a 10 oz. Magnet and a 5W-25/70V Transformer



Quam

GENERAL DESCRIPTION

The 8C10PAX/TBLU consists of an 8C10PAX - 8" O.D. dual cone loudspeaker with a 10 oz. magnet, and a 5W-25/70V transformer. Loudspeaker frame is finished in black powder coat.

INTENDED USE - Indoor Environment

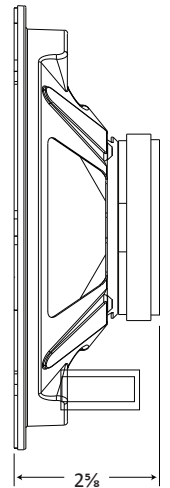
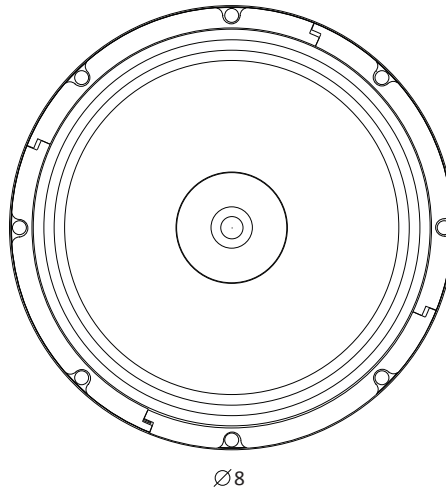
Program Material | Signal tones, voice, and music

AUDIO SPECIFICATIONS

Average Sensitivity	95 dB SPL, 1W/ 1M
Loudspeaker Power Rating	20W RMS, EIA 426A Standard
Maximum Power Rating	15W @ 8 Ohms
Calculated Output	102 dB SPL, 5W/ 1M
Magnet Type & Weight	BeFe Ceramic, 5 oz. Nominal
Frequency Response	65 Hz - 17 kHz EIA 426A Standard
Nominal Coverage Angle	100° Included Angle, -6 dB / 2 kHz, Half space
Audio Connection	7" Color-Coded Leads
Wattage Taps	0.31W, 0.63W, 1.25W, 2.5W, 5W

RECOMMENDED QUAM COMPONENTS

Baffles	Round : BR8-2WS, BR8B, BR8VP, BR8W, BR8WS Square : BS8VP, BS8VPS, BS8W, BS8WS
---------	--



Recommended construction sequences, installation instructions, and A&E Specifications are available in various formats in the Specs and Diagrams section at: www.QuamSpeakers.com



QUAM-NICHOLS COMPANY, INC.
234 East Marquette Road. Chicago, IL. 60637
t: 1-800-NEED-NOW (800-633-3669)
f: 1-888-NEED-NOW (888-633-3669)
e: NeedNow@QNC.com
www.QuamSpeakers.com

©2017 Quam-Nichols Company reserves the right to make changes and/or improvements to its products at any time and without notice.