



L2 SWITCH

SWP2

SWP2-10MMF
SWP2-10SMF

Owner's Manual
Bedienungsanleitung
Mode d'emploi
Manual de instrucciones
Manual do Proprietário
Manuale di istruzioni
Руководство пользователя
取扱説明書

EN
DE
FR
ES
PT
IT
RU
JA

English

Deutsch

Français

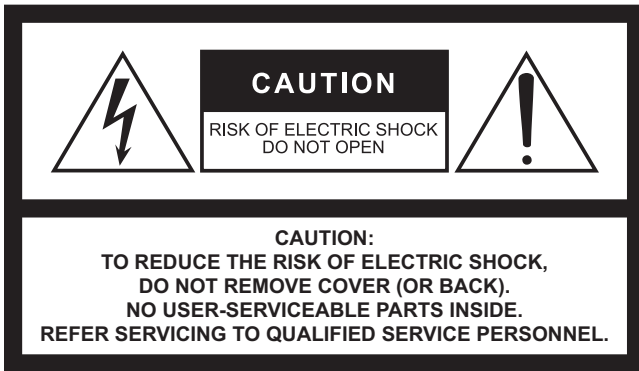
Español

Português

Italiano

Русский

日本語



The above warning is located on the top of the unit.



L'avertissement ci-dessus est situé sur le dessus de l'unité.

Explanation of Graphical Symbols Explication des symboles



The lightning flash with arrowhead symbol within an equilateral triangle is intended to alert the user to the presence of uninsulated “dangerous voltage” within the product’s enclosure that may be of sufficient magnitude to constitute a risk of electric shock to persons.
L'éclair avec une flèche à l'intérieur d'un triangle équilatéral est destiné à attirer l'attention de l'utilisateur sur la présence d'une « tension dangereuse » non isolée à l'intérieur de l'appareil, pouvant être suffisamment élevée pour constituer un risque d'électrocution.



The exclamation point within an equilateral triangle is intended to alert the user to the presence of important operating and maintenance (servicing) instructions in the literature accompanying the product.
Le point d'exclamation à l'intérieur d'un triangle équilatéral est destiné à attirer l'attention de l'utilisateur sur la présence d'instructions importantes sur l'emploi ou la maintenance (réparation) de l'appareil dans la documentation fournie.

IMPORTANT SAFETY INSTRUCTIONS

- 1 Read these instructions.
- 2 Keep these instructions.
- 3 Heed all warnings.
- 4 Follow all instructions.
- 5 Do not use this apparatus near water.
- 6 Clean only with dry cloth.
- 7 Do not block any ventilation openings. Install in accordance with the manufacturer's instructions.
- 8 Do not install near any heat sources such as radiators, heat registers, stoves, or other apparatus (including amplifiers) that produce heat.
- 9 Do not defeat the safety purpose of the polarized or grounding-type plug. A polarized plug has two blades with one wider than the other. A grounding type plug has two blades and a third grounding prong. The wide blade or the third prong are provided for your safety. If the provided plug does not fit into your outlet, consult an electrician for replacement of the obsolete outlet.
- 10 Protect the power cord from being walked on or pinched particularly at plugs, convenience receptacles, and the point where they exit from the apparatus.
- 11 Only use attachments/accessories specified by the manufacturer.
- 12 Use only with the cart, stand, tripod, bracket, or table specified by the manufacturer, or sold with the apparatus. When a cart is used, use caution when moving the cart/apparatus combination to avoid injury from tip-over.
- 13 Unplug this apparatus during lightning storms or when unused for long periods of time.
- 14 Refer all servicing to qualified service personnel. Servicing is required when the apparatus has been damaged in any way, such as power-supply cord or plug is damaged, liquid has been spilled or objects have fallen into the apparatus, the apparatus has been exposed to rain or moisture, does not operate normally, or has been dropped.



WARNING

TO REDUCE THE RISK OF FIRE OR ELECTRIC SHOCK, DO NOT EXPOSE THIS APPARATUS TO RAIN OR MOISTURE.

PRÉCAUTIONS CONCERNANT LA SÉCURITÉ

- 1 Lire ces instructions.
- 2 Conserver ces instructions.
- 3 Tenir compte de tous les avertissements.
- 4 Suivre toutes les instructions.
- 5 Ne pas utiliser ce produit à proximité d'eau.
- 6 Nettoyer uniquement avec un chiffon propre et sec.
- 7 Ne pas bloquer les orifices de ventilation. Installer l'appareil conformément aux instructions du fabricant.
- 8 Ne pas installer l'appareil à proximité d'une source de chaleur comme un radiateur, une bouche de chaleur, un poêle ou tout autre appareil (y compris un amplificateur) produisant de la chaleur.
- 9 Ne pas modifier le système de sécurité de la fiche polarisée ou de la fiche de terre. Une fiche polarisée dispose de deux broches dont une est plus large que l'autre. Une fiche de terre dispose de deux broches et d'une troisième pour le raccordement à la terre. Cette broche plus large ou cette troisième broche est destinée à assurer la sécurité de l'utilisateur. Si la fiche équipant l'appareil n'est pas compatible avec les prises de courant disponibles, faire remplacer les prises par un électricien.
- 10 Acheminer les cordons d'alimentation de sorte qu'ils ne soient pas piétinés ni coincés, en faisant tout spécialement attention aux fiches, prises de courant et au point de sortie de l'appareil.
- 11 Utiliser exclusivement les fixations et accessoires spécifiés par le fabricant.
- 12 Utiliser exclusivement le chariot, le stand, le trépied, le support ou la table recommandés par le fabricant ou vendus avec cet appareil. Si l'appareil est posé sur un chariot, déplacer le chariot avec précaution pour éviter tout risque de chute et de blessure.
- 13 Débrancher l'appareil en cas d'orage ou lorsqu'il doit rester hors service pendant une période prolongée.
- 14 Confier toute réparation à un personnel qualifié. Faire réparer l'appareil s'il a subi tout dommage, par exemple si la fiche ou le cordon d'alimentation est endommagé, si du liquide a coulé ou des objets sont tombés à l'intérieur de l'appareil, si l'appareil a été exposé à la pluie ou à de l'humidité, si l'appareil ne fonctionne pas normalement ou est tombé.

AVERTISSEMENT

POUR RÉDUIRE LES RISQUES D'INCENDIE OU DE DÉCHARGE ÉLECTRIQUE, N'EXPOSEZ PAS CET APPAREIL À LA PLUIE OU À L'HUMIDITÉ.

FCC INFORMATION (U.S.A.)

1. IMPORTANT NOTICE: DO NOT MODIFY THIS UNIT!

This product, when installed as indicated in the instructions contained in this manual, meets FCC requirements. Modifications not expressly approved by Yamaha may void your authority, granted by the FCC, to use the product.

2. IMPORTANT:

When connecting this product to accessories and/or another product use only high quality shielded cables. Cable/s supplied with this product MUST be used. Follow all installation instructions. Failure to follow instructions could void your FCC authorization to use this product in the USA.

3. NOTE:

This product has been tested and found to comply with the requirements listed in FCC Regulations, Part 15 for Class "A" digital devices. Compliance with these requirements provides a reasonable level of assurance that your use of this product, in a commercial environment, will not result in harmful interference with other electronic devices. However, operation of this product in a residential area is likely to cause interference in some form. In this case you, the user, bear the responsibility of correcting this condition.

This product generates/uses radio frequencies and, if not installed and used according to the instructions found in the users manual, may cause interference harmful to the opera-

tion of other electronic devices. Compliance with FCC regulations does not guarantee that interference will not occur in all installations. If this product is found to be the source of interference, which can be determined by turning the product "OFF" and "ON", please try to eliminate the problem by using one of the following measures:

Relocate either the product generating the interference or the device that is being affected by the interference.

Utilize power outlets that are on different branch (circuit breaker or fuse) circuits or install AC line filter/s.

In the case of radio or TV interference, relocate/reorient the antenna. If the antenna lead-in is 300 ohm ribbon lead, change the lead-in to co-axial type cable.

If these corrective measures do not produce satisfactory results, please contact the local retailer that is authorized to distribute this type of product. If you can not locate the appropriate retailer, please contact Yamaha Corporation of America, Electronic Service Division, 6600 Orangethorpe Ave, Buena Park, CA90620

The above statements apply ONLY to those products distributed by Yamaha Corporation of America or its subsidiaries.

(class A)

COMPLIANCE INFORMATION STATEMENT (Supplier's declaration of conformity procedure)

Responsible Party: Yamaha Corporation of America
Address: 6600 Orangethorpe Ave. Buena Park CA 90620
Telephone: 714-522-9011
Type of Equipment: L2 Switch
Model Name: SWP2-10MMF, SWP2-10SMF

This device complies with Part 15 of the FCC Rules.

Operation is subject to the following two conditions:

- 1) this device may not cause harmful interference, and
- 2) this device must accept any interference received including interference that may cause undesired operation.

PRECAUTIONS

PLEASE READ CAREFULLY BEFORE PROCEEDING

Please keep this manual in a safe place for future reference.

This product is designed for audio network. Do not use for any purposes other than the one intended. Those who are unfamiliar with handling or those who can not handle according to this manual such as children, should be supervised by responsible persons to ensure safety.



WARNING

Always follow the basic precautions listed below to avoid the possibility of serious injury or even death from electrical shock, short-circuiting, damages, fire or other hazards. These precautions include, but are not limited to, the following:

If you notice any abnormality

- If any of the following problems occur, immediately turn off the power switch and disconnect the electric plug from the outlet.
 - The power cord or plug becomes frayed or damaged.
 - Unusual smells or smoke are emitted.
 - Some object, or water has been dropped into the product.
 - Cracks or other visible damage appear on the product.
 Then have the product inspected or repaired by qualified Yamaha service personnel.

Power supply/Power cord

- Do not place the power cord near heat sources such as heaters or radiators, and do not excessively bend or otherwise damage the cord, place heavy objects on it, or place it in a position where anyone could walk on, trip over, or roll anything over it.
- Only use the voltage specified as correct for the product. The required voltage is printed on the name plate of the product.
- Use only the supplied power cord/plug. If you intend to use the product in an area other than in the one you purchased, the included power cord may not be compatible. Please check with your Yamaha dealer.
- Check the electric plug periodically and remove any dirt or dust which may have accumulated on it.
- Make sure to fully insert the electric plug to prevent electric shocks or fire.
- This product receives power from multi sources. When setting up the product, make sure that the AC outlet you are using is easily accessible. If some trouble or malfunction occurs, immediately disconnect the all plugs from the outlet.



- Remove the electric plug from the outlet when the product is not to be used for extended periods of time.
- Do not touch the product or the electric plug during an electrical storm.
- Be sure to connect to an appropriate outlet with a protective grounding connection. Improper grounding can result in electrical shock, fire, or damage.
- If you plan to connect a powered device that complies with the IEEE802.3 standards, use a CAT5e or higher-grade cable. Failure to observe this precaution could result in a fire or malfunction.

Do not open

- This product contains no user-serviceable parts. Do not attempt to disassemble the internal parts or modify them in any way.

Water warning/Fire warning

- Do not expose the product to rain, use it near water or in damp or wet conditions, or place on it any containers (such as vases, bottles or glasses) containing liquids which might spill into any openings.
- Never insert or remove an electric plug with wet hands.
- Do not place any burning items or open flames near the product, since they may cause a fire.

Hearing loss

- When turning on the AC power in your audio system, always turn on the power amplifier LAST, to avoid hearing loss and speaker damage. When turning the power off, the power amplifier should be turned off FIRST for the same reason.



CAUTION

Always follow the basic precautions listed below to avoid the possibility of physical injury to you or others. These precautions include, but are not limited to, the following:

Power supply/Power cord

- When removing the electric plug from the product or an outlet, always hold the plug itself and not the cord. Pulling by the cord can damage it.

Location and connection

- Do not place the product in an unstable position or a location with excessive vibration, where it might accidentally fall over and cause injury.
- Do not block the vents. This product has ventilation holes at the sides to prevent the internal temperature from becoming too high. In particular, do not place the product on its side or upside down. Inadequate ventilation can result in overheating, possibly causing damage to the product(s), or even fire.

- When installing the product:
 - Do not cover it with any cloth.
 - Do not install it on a carpet or rug.
 - Make sure the top surface faces up; do not install on its sides or upside down.
 - Do not use the product in a confined, poorly-ventilated location.

Inadequate ventilation can result in overheating, possibly causing damage to the product(s), or even fire.

- If the product is mounted in an EIA standard rack, carefully read the section “Precautions for Rack Mounting” on page 9. Inadequate ventilation can result in overheating, possibly causing damage to the product(s), malfunction, or even fire.
- Do not place the product in a location where it may come into contact with corrosive gases or salt air. Doing so may result in malfunction.
- Before moving the product, remove all connected cables.

Maintenance

- Remove the power plug from the AC outlet when cleaning the product.

Handling caution

- Do not insert your fingers or hands in any gaps or openings on the product (vents, panel, etc.).
- Do not rest your weight on the product or place heavy objects on it.
- This product uses class 1 lasers.
Do not look into the tip of an optical fiber or into an optical connector. Doing so may damage your eyes.

Backup battery

- Do not replace the backup battery by yourself. Doing so may cause an explosion and/or damage to the product(s).
When the backup battery needs to be replaced, contact your Yamaha dealer and have qualified Yamaha service personnel replace the backup battery.

NOTICE

To avoid the possibility of malfunction/ damage to the product, damage to data, or damage to other property, follow the notices below.

Handling and maintenance

- Do not use the product in the vicinity of a TV, radio, mobile phone, or other electric products. Otherwise, the product, TV, or radio may generate noise.
- Do not expose the product to excessive dust or vibration, or extreme cold or heat (such as in direct sunlight, near a heater, or in a car during the day), in order to prevent the possibility of panel disfiguration, unstable operation, or damage to the internal components.
- Condensation can occur in the product due to rapid, drastic changes in ambient temperature—when the product is moved from one location to another, or air conditioning is turned on or off, for example. Using the product while condensation is present can cause damage. If there is reason to believe that condensation might have occurred, leave the product for several hours without turning on the power until the condensation has completely dried out.
- Do not place vinyl, plastic or rubber objects on the product, since this might discolor the panel.
- When cleaning the product, use a dry and soft cloth. Do not use paint thinners, solvents, cleaning fluids, or chemical-impregnated wiping cloths.
- Drain all static electricity from your clothing and body before handling the device. Static electricity can damage the device. Touch an exposed metal part of the host device or other grounded object beforehand.
- Do not install the product in a location where magnetic fields are strong. Otherwise, it might cause the product to malfunction.
- Do not connect any noise generating devices on the same power line as the product. Failure to observe this precaution could result in a malfunction or damage to the product.
- Do not locate any connected LAN cables close to the power cord. Otherwise, high voltage might be induced, resulting in malfunction.
- A 1000BASE-T connection will require an Enhanced Category 5 (CAT5e) or better LAN cable.

Saving data

- This unit has a built-in backup battery that maintains time information for the data. When the backup battery runs down, the time information will be initialized, causing incorrect time information to be recorded in the log. If this occurs, contact your dealer or a Yamaha customer service center to have the backup battery replaced. The life span of the backup battery is approximately 10 years, but this may vary depending on the conditions of use. Set the clock after replacing the battery.

Data maintained by the backup battery:

- Time information.

Information

About copyrights

- Copying of the software or reproduction of this manual in whole or in part by any means is expressly forbidden without the written consent of the manufacturer.

About functions/data bundled with the product

- This is a class A product. Operation of this product in a residential environment could cause radio interference.
- This product is a class 1 laser product. It is compliant with IEC/EN 60825-1, IEC/EN 60825-2, FDA 21 CFR 1002.10, and 1040.10.
IEC 60825-1:2014
- Factory: Axcen Photonics Corporation
6F., No.119, Baozhong Rd., Xindian Dist., New Taipei City 231, Taiwan (R.O.C.)

About this manual

- The illustrations as shown in this manual are for instructional purposes only.
- Windows is a registered trademark of Microsoft® Corporation in the United States and other countries.
- The company names and product names in this manual are the trademarks or registered trademarks of their respective companies.
- Software may be revised and updated without prior notice.

About disposal

- This product contains recyclable components. When disposing of this product, please contact the appropriate local authorities.

Open Source Software Used in this Product

- Please refer to Yamaha Pro Audio website for the details of licensing article.
<http://www.yamahaproaudio.com/>

Information for users on collection and disposal of old equipment:



This symbol on the products, packaging, and/or accompanying documents means that used electrical and electronic products should not be mixed with general household waste. For proper treatment, recovery and recycling of old products, please take them to applicable collection points, in accordance with your national legislation.

By disposing of these products correctly, you will help to save valuable resources and prevent any potential negative effects on human health and the environment which could otherwise arise from inappropriate waste handling.

For more information about collection and recycling of old products, please contact your local municipality, your waste disposal service or the point of sale where you purchased the items.

For business users in the European Union:

If you wish to discard electrical and electronic equipment, please contact your dealer or supplier for further information.

Information on Disposal in other Countries outside the European Union:

This symbol is only valid in the European Union. If you wish to discard these items, please contact your local authorities or dealer and ask for the correct method of disposal.

(weee_eu_en_02)

The model number, serial number, power requirements, etc., may be found on or near the name plate, which is at the top of the unit. You should note this serial number in the space provided below and retain this manual as a permanent record of your purchase to aid identification in the event of theft.

Model No.

Serial No.

(top_en_01)

SOFTWARE LICENCE AGREEMENT

This agreement is an agreement between you, the customer, and Yamaha Corporation (hereafter referred to as "Yamaha") defining the conditions under which Yamaha provides firmware for this Yamaha network product (hereafter referred to as the Product) and related programs, printed material, and electronic files (hereafter referred to as the Software).

The Software may be used only for the purpose of operating it on the Product or on a personal computer or similar device. This agreement applies to the Software provided by Yamaha to the customer and to copies of the Software created by the customer in compliance with section 1 subsection (1) of this agreement.

1. Permission to use

- (1) The customer may install and use the Software on a Product or a personal computer or similar device owned by the customer.
- (2) With the exceptions that are explicitly defined by this agreement, the customer shall not permit the reuse of, sell, distribute, rent, lease, lend, or transfer the Software, nor upload it to any website or server where it could be accessed by specified or unspecified numbers of people, nor duplicate, translate, adapt it, or rewrite it into any other program language. The customer shall not correct, revise, reverse-assemble, reverse-compile, or perform any reverse engineering of the Software, and may not cause any third party to perform such actions.
- (3) The customer shall not modify, erase, or delete the Yamaha copyright indications that are included in the Software.
- (4) With the exceptions that are explicitly defined by this agreement, Yamaha does not grant or permit the customer any of Yamaha's intellectual property rights.

2. Property rights

The Software is protected by copyright law and by other laws, and is the property of Yamaha. The customer hereby agrees that no property rights or intellectual property rights related to the Software are granted by Yamaha to the customer by this agreement nor any other means.

3. Export restrictions

The customer shall abide by all applicable export regulations and rules of the relevant countries, and shall not export or re-export the Software, neither in part nor in whole, in violation of any applicable rules and regulations.

4. Support and updates

Yamaha, its subsidiaries, their sales representatives and dealers, and any other party handling or distributing the Software do not accept any responsibility for maintaining the Software nor for supporting the customer's use of the Software. Nor do the aforementioned parties have any responsibility to update the Software, to fix bugs, or to provide support.

5. Limitation of responsibility

- (1) The software is licensed for use "in its current state (as-is)." Yamaha, its subsidiaries, their sales representatives and dealers, and any other party handling or distributing the Software make no warranty, neither explicit nor implicit, regarding the merchantability or suitability of the Software for any particular purpose.
- (2) Yamaha, its subsidiaries, their sales representatives and dealers, and any other party handling or distributing the

Software shall bear no responsibility for any damages (including but not limited to lost profit and any other consequential or incidental damages) that may arise from the use of or inability to use the Software. This shall be the case even if Yamaha, its subsidiaries, their sales representatives and dealers, or any other party handling or distributing the Software had been informed of the possibility of such damages.

- (3) Yamaha, its subsidiaries, their sales representatives and dealers, and any other party handling or distributing the Software shall bear no responsibility for any dispute between the customer and a third party that may arise from or related to the use of the Software.

6. Term of validity

- (1) This agreement shall continue in force until it is terminated by the following sub-sections (2) or (3).
- (2) The customer may terminate this agreement by deleting all instances of the Software that are installed on the Product or on a personal computer or similar device.
- (3) This agreement shall immediately terminate if the customer violates any of the terms of this agreement.
- (4) Upon the termination of this agreement due to sub-section (3) above, the customer shall immediately delete all instances of the Software that are installed on the Product or on a personal computer or similar device.
- (5) Regardless of any clauses of this agreement, the provisions of sections 2 through 6 of this agreement shall continue in force even after the termination of this agreement.

7. Separability

Even if any clause of this agreement should become invalid, the remainder of the agreement shall remain in force.

8. U.S. GOVERNMENT RESTRICTED RIGHTS NOTICE:

The Software is a "commercial item," as that term is defined at 48 C.F.R. 2.101 (Oct 1995), consisting of "commercial computer software" and "commercial computer software documentation," as such terms are used in 48 C.F.R. 12.212 (Sept 1995). Consistent with 48 C.F.R. 12.212 and 48 C.F.R. 227.7202-1 through 227.72024 (June 1995), all U.S. Government End Users shall acquire the Software with only those rights set forth herein.

9. General articles

The customer agrees that this agreement is the complete and only declaration of agreement between the customer and Yamaha regarding all matters prescribed by this agreement, and that it takes precedence over all proposals, prior agreements, or any other communication between the customer and Yamaha, whether oral or written. No change to this agreement shall have any force unless it is signed by a representative who is duly authorized by Yamaha.

10. Jurisdiction

This agreement shall be under the jurisdiction of the laws of Japan, and shall be interpreted according to those laws.

Contents

Introduction	9
Features	9
Documentation	10
Terms	10
Controls and Functions	11
Front panel	11
Rear panel.....	13
Status Indicator Display	14
LINK/ACT setting	14
STATUS setting	14
VLAN setting	14
OFF setting.....	14
Initializing the SWP2	14
Using the Web GUI to restore the factory settings	14
Using the cold start command to restore the factory settings.....	15
Entering the <I> (uppercase I) key during startup to restore the factory settings	15
VLAN Use Cases	16
Redundant Dante connections	16
Separating control signals from audio signals.....	16
Specifications	17

Introduction

Thank you for choosing the Yamaha SWP2-10MMF, or SWP2-10SMF L2 switch.

To take full advantage of the superior functions and performance offered by the SWP2, and to enjoy years of trouble-free use, be sure to read this owner's manual carefully before operation.

This owner's manual is intended to be read by audio networking personnel.

Included items

- **SWP2 Owner's Manual (this book)**
- **Power cord (three-pin plug)**

Option item

- **PA-700 (AC adaptor)**

* This can be connected to the rear panel [EXT DC INPUT] jack and used as a backup for the internal power supply.

Precautions for Rack Mounting

This unit is rated for operation at ambient temperatures ranging from 0 to 40 degrees Celsius. When mounting the unit with other SWP2 unit(s) or other device(s) in an EIA standard equipment rack, internal temperatures can exceed the specified upper limit, resulting in impaired performance or failure. When rack mounting the unit, always observe the following requirements to avoid heat buildup:

- When mounting the unit in a rack with devices such as power amplifiers that generate a significant amount of heat, leave more than 1U of space between the SWP2 and other equipment. Also either leave the open spaces uncovered or install appropriate ventilating panels to minimize the possibility of heat buildup.
- To ensure sufficient airflow, leave the rear of the rack open and position it at least 10 centimeters from walls or other surfaces. If you've installed a fan kit, there may be cases in which closing the rear of the rack will produce a greater cooling effect. Refer to the rack and/or fan unit manual for details.

Features

- **Recommended settings for Dante are provided**

Recommended settings (such as QoS, EEE, and IGMP Snooping) for stable operation of the Dante network can be specified with only DIP switch. The 10GBASE-SR/LR ports support 10 gigabit, allowing operation without fear of insufficient bandwidth even on a Dante network that is set to a sampling frequency of 96 kHz.

- **VLAN presets provided**

Three types of preset VLAN settings are provided, allowing a more stable network to be constructed by dividing audio signals and control signals with a single SWP2 unit. The user can also customize the settings.

- **Visualize the network status**

The "Yamaha Audio Network Monitor" Windows application allows you to monitor the status of the network and the Dante devices. The unit's indicators also show which VLAN is connected to which port.

- **Hardware that supports safety and peace of mind**

All models can be rack-mounted. In consideration of temporary setups or other environments in which cables are liable to be pulled out, etherCON and opticalCON are provided as standard. In addition to an AC IN jack with V-lock, an XLR-4-32 type EXT DC INPUT jack is also provided. Redundant power can be provided by using a PA-700 or other external power supply (+24V).

Related software

If you are using VLAN, connect the computer to the VLAN 1 port.

- **Yamaha Audio Network Monitor (Windows application)**

This is used to monitor the entire network, including SWP2 data as well as all Dante devices on the Dante network.

Download this application from the following website.
<http://www.yamahaproaudio.com/>

- **Web GUI**

Use this to view or edit the settings of SWP2 units on the network from a web browser.

Access the Web GUI from the Yamaha Audio Network Monitor.

To use the Web GUI, connect a computer to the VLAN 1 port.

When accessing the Web GUI, the "Windows Security" dialog box may appear. With the factory settings, the administrative password is set as follows.

User name	(blank)
Password	(blank)

Documentation

In addition to this manual, the following documentation for the SWP2 is available.

- **Yamaha Audio Network Monitor User's Guide (PDF)**

This explains installation, settings, and usage of the "Yamaha Audio Network Monitor" Windows application.

- **Command References (PDF)**

This explains the commands used when making settings from the command line of a computer.

- **Technical Data (HTML)**

This explains details of the SWP2's functions.

These documents can be downloaded from the links in the product page of the following website.

<http://www.yamahaproaudio.com/>

Terms

- **VLAN**

This stands for Virtual Local Area Network. A virtual network is constructed separately from the physical connections. When there are multiple networks of differing types, setting up a VLAN allows a logically separate network to be constructed that shares the same physical switches.

A VLAN can be either a "Port-based VLAN" which constructs groups using a physical connection for each port, or a "Tag VLAN" which differentiates VLAN groups by assigning a tag to each Ethernet frame. In the case of a port-based VLAN, each VLAN requires a connection to communicate with another switch. Using a tag VLAN allows multiple VLANs to be combined into a single trunk connection (cable) that connects switches, ensure that the total amount of data does not exceed 1 Gbps for the LAN ports or 10 Gbps for the 10GBASE-SR/LR ports. The VLAN preset A and B of the SWP2 use tag VLAN.

- **Link aggregation**

Link aggregation is a function that bundles multiple LAN/SFP+ ports that connect network devices, and treats them as a single logical interface in order to expand the communication bandwidth. A group that is bundled using link aggregation is called a link aggregation group (LAG).

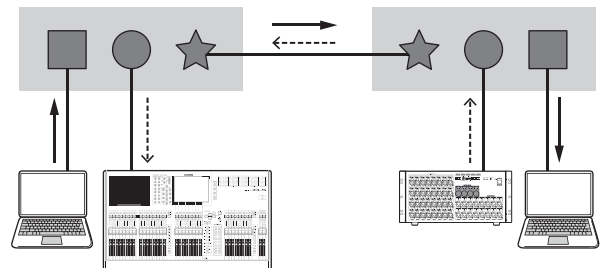
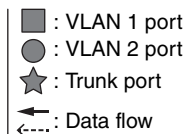
Link aggregation is a technology that is useful when multiple communications are occurring. The communications can be distributed between the aggregated connections by using a load balancing function. Since load balancing distributes the load according to IP address, we recommend that you fix the IP addresses of each device in order to stabilize load balancing.

Even if a problem occurs on one of the LAN/SFP+ ports that are bundled by link aggregation, so that this port is unable to communicate, communication will continue via the remaining ports.

- **Trunk**

This function adds tags to multiple VLANs so that they can be transmitted and received via a single connection. When one SWP2 transmits VLAN 1 data via the trunk connection, the SWP2 unit that receives this will transmit the data only to the port that corresponds to its own VLAN 1.

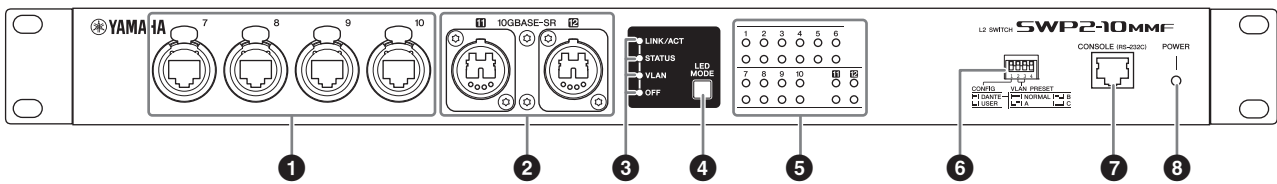
Communication speed for a metal trunk connection on the SWP2's VLAN preset B is 1 Gbps per cable. If there is only one cable, and the total bandwidth passing through the trunk connection exceeds 1 Gbps, packets will be delayed or dropped. Some of the SWP2's VLAN presets enable link aggregation of the trunk connection. If the bandwidth will exceed 1 Gbps for a LAN port or 10 Gbps for a 10GBASE-SR/LR port, or if you want to provide redundancy to guard against cable breakage, you should use two trunk cables.



Controls and Functions

Front panel

The explanation here is based on the SWP2-10MMF.



1 LAN ports

These are etherCON (RJ-45) ports for connecting Ethernet cables (CAT5e or better is recommended). A cable with an RJ-45 connector can also be connected.

All ports support 1000BASE-T, 100BASE-TX, and 10BASE-T.

2 10GBASE-SR ports (SWP2-10MMF)/ 10GBASE-LR ports (SWP2-10SMF)

This is an opticalCON DUO port for connecting an optical fiber cable. LC Duplex connectors can also be connected.

If you use a cable with an LC Duplex connector, fasten the dust cap attached to the cable connector to prevent dust from adhering when the cable is not in use.

NOTE

- Use an opticalCON DUO optical fiber cable made by Neutrik Corporation. Since optical fiber cables are vulnerable to being bent or pulled, you can reduce the occurrence of problems by using a cable that has a strong sheath and is equipped with a locking mechanism.
- The SWP2-10MMF can use GI-type multi-mode fiber cables that have a core diameter of approximately 50 μm and cladding diameter of approximately 125 μm . The maximum length between devices is 300 m.
- The SWP2-10SMF can use SM-type single-mode fiber cables with a core diameter of approximately 9 μm and a cladding diameter of approximately 125 μm . The maximum length between devices is 10 km.
- In some cases, the specifications might not be satisfied because of the optical fiber cables that are used and the conditions of installation.
- Link up is possible only for 10GBASE-SR/LR between the same standards. 10GBASE-SR/LR can not link up with 1000BASE optical standards.

Cleaning

Correct communication might not be possible if debris and/or dust has adhered to the ends of optical fiber cables or the ports. Clean the equipment regularly by using commercially available optical fiber cleaning products.

3 LED mode indicators

This indicates what the status indicators are showing.

4 [LED MODE] button

This switches what the status indicators are showing.

5 Status indicators

These indicate the status of each port. The displayed content depends on the mode. For details on the display in each mode, refer to “Status indicator display.”

6 DIP switches

These specify startup settings for the unit. Set the DIP switches when the power is turned off. The settings are not applied if you change the setting while the power is on. The switch illustrations indicate the up/down position as follows.

Switch position	Status
	Represent a status with switch toggled up.
	Represent a status with switch toggled down.

• Switch 1 (CONFIG)

Specifies whether the unit's settings are optimized for a Dante network or are set by the user.

Switch position	Option	Functions
 1	DANTE	The unit starts up with settings optimized for a Dante network. This setting is read only.
 1	USER	The unit starts up with user settings. This setting can be read or written; when you change the setting, the unit starts up the next time as well with that setting.



Caution when using this unit together with another manufacturer's switch

Dante supports both IGMP V2 and V3, but you must set all switches in the same network to operate using the same version.

If the SWP2 starts up with DANTE settings, it operates using IGMP V3. In this case, if the network includes even one switch that is operating with IGMP V2, problems such as dropouts in the sound might occur.

• **Switch 2 and 3 (VLAN PRESET)**

Specifies the VLAN preset that is used when switch 1 is in the [DANTE] position. This setting is ignored if switch 1 is set to [USER].

If you change the settings via the web GUI or a command, the settings are applied temporarily but is not stored; the next time the unit starts up, it returns to the VLAN preset setting.

Switch position	Option	Functions
	NORMAL	The following table shows how the VLAN and trunk are assigned to ports.
	A	
	B	
	C	

In the tables, “1,” “2,” “Tr1,” and “Tr2” respectively indicate VLAN 1, VLAN 2, trunk (LAG1), and trunk (LAG2).

For an explanation of VLAN, trunk, link aggregation, and LAG, refer to Terms on page 10. For details, you can download technical reference material (HTML).

VLAN PRESET	Rear panel ports					
	1	2	3	4	5	6
NORMAL	1	1	1	1	1	1
A (*1)	1	1	1	1	2	2
B (*1)	1	1	1	1	2	2
C (*2)	1	1	1	2	2	2

VLAN PRESET	Front panel ports					
	7	8	9	10	11	12
NORMAL	1	1	1	1	1	1
A (*1)	1	1	2	2	Tr1	Tr1
B (*1)	1	2	Tr1	Tr1	Tr2	Tr2
C (*2)	1	1	2	2	1	2

(*1) In the VLAN presets, the IGMP Snooping function is turned on except for VLAN 2 in presets A and B, preventing multicast communication such as Dante's multicast flow from being forwarded to unnecessary routes. For this reason, in the case of A or B you should use the VLAN 1 port for audio signals such as Dante, and use the VLAN 2 port for control signals.

(*2) If you use setting C, connect the computer that is using Yamaha Audio Network Monitor to the VLAN 1 port.

⑦ **[CONSOLE (RS-232C)] port**

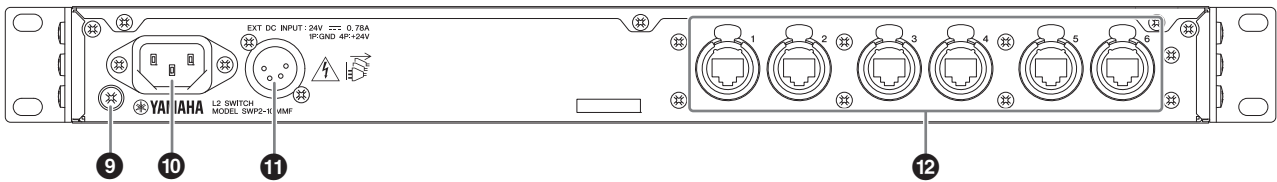
This is an RJ-45 port used to specify commands.

Use an RJ-45/DB-9 serial cable to connect this to the RS-232C port (COM port) of your computer. Use an RJ-45/DB-9 serial cable that is wired as described in “Specifications.”

⑧ **[POWER] indicator**

This is lit when the SWP2 is powered-on.

Rear panel



9 Grounding screw

Since the included power cord has a three-pin plug, this unit will be appropriately grounded if the AC outlet is grounded. In some cases, you may be able to reduce hum noise and interference noise by connecting this screw to ground as well.

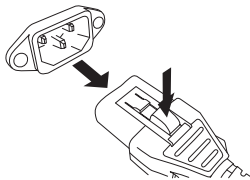
10 AC IN connector

Connect the included power cord here. First connect the power cord to this unit, and then connect the power supply plug to an AC outlet; the SWP2's internal power supply turns on.

The supplied AC power cord features a V-lock mechanism via a latch, which prevents the power cord from coming off accidentally.

Insert the cable plug all the way until it locks in securely.

Press the latch button on the plug to disconnect the power cord.



11 [EXT DC INPUT] connector

This is an XLR-4-32 type jack for supplying an external power supply (+24V) as a backup for the SWP2's internal power supply.

Connect a Yamaha PA-700 AC adaptor or an equivalent product recommended by Yamaha.



CAUTION

- Before connecting the external power supply, you must turn off the external power supply. Failing to do so may cause electrocution or malfunctions.
- EXT DC INPUT connector is intended to be supplied by Power Supply certified with "Limited Power Source" or "LPS" and rated 24 Vdc.

NOTE

- If an external power supply is connected, the SWP2 will operate normally when its internal power supply and the external power supply are on, as well as when only one is on.
- If both power supplies are on, and one of them is interrupted during operation, the unit will continue to operate normally.

12 LAN ports

These are etherCON (RJ-45) ports for connecting Ethernet cables (CAT5e or better is recommended). A cable with an RJ-45 connector can also be connected.

All ports support 1000BASE-T, 100BASE-TX, and 10BASE-T.

Status Indicator Display

The status indicators show different things depending on the LED mode setting.

LINK/ACT setting

The status indicators show each port's link status and connection status.

Indicator	Illumination	Status
Upper	Lit green	Link is established. (LINK)
	Flashing green	Data is being transferred. (ACT)
	Unlit	Link is lost.
Lower	Lit green	Connected with 100BASE-T or 10GBASE-SR/LR.
	Lit orange	Connected with 100BASE-TX.
	Unlit	Connected with 10BASE-T.

STATUS setting

The status indicators show the loop-related port's status.

Indicator	Illumination	Status
Upper and lower	Flashing orange	Loop was detected and communication was halted, or an abnormality in the opticalCON light reception level was detected.
	Unlit	Loop not detected. Or loop was detected, but communication is not halted.

VLAN setting

The status indicators show the VLAN ID and trunk. If DIP switch 1 is upward ([DANTE]), VLAN 1 is shown by the upper indicator and the lower indicator unlit. VLAN 2 is shown by the upper indicator lit green and the lower indicator unlit. Trunk is shown by upper and lower indicators lit orange.

–: Unlit
G: Lit green
O: Lit orange

Indicators	1	VLAN ID low → high						Trunk
Upper	–	G	O	–	–	G	O	O
Lower	–	–	–	G	O	O	G	O

NOTE

- If a number of VLANs that cannot be completely displayed above is specified, the upper and lower indicators are lit green.
- If multiple VLAN IDs are specified for the same port, the upper and lower indicators are lit orange.

OFF setting

All status indicators are unlit.

Initializing the SWP2

Here's how to initialize the SWP2's internal memory, restoring it to the factory settings.



CAUTION

Do not turn off the power to the SWP2 during initialization. Otherwise, a malfunction may occur.

NOTE

If initialization failed, contact Yamaha service personnel.

The SWP2 can be restored to its factory-set state in the following ways.

- Using the Web GUI to restore the factory settings
- Using the cold start command to restore the factory settings
- Entering the <I> (uppercase I) key during startup to restore the factory settings

NOTICE

When restoring the factory settings, note the following points.

- All communication is halted immediately after execution.**
- When you execute this, the settings will also return to their factory-set state. If necessary, use external memory to save the settings before you proceed with initialization. For details on how to export settings to external memory, refer to the "SWP2 series technical data."**

Using the Web GUI to restore the factory settings

The SWP2 can be restored to its factory-set state by making settings from the Web GUI.

Log in to the Web GUI from Yamaha LAN Monitor.

1. Choose [Management] tab – [Maintenance] – [Restart and initialize].

The "Restart or Initialize" screen appears.

2. In the "Initialize" section, click the [Next] button.

The "Initialize" screen appears.

3. Enter the administrative password, and click the [OK] button.

The "Check executed content" screen appears.

Since an administrator password is not specified when the unit is shipped from the factory, leave the field empty if this is still the case.

4. Verify the content, and click the [Execute] button.

The SWP2 is returned to its factory-set state. Then, the “Initialization” dialog box appears, and the SWP2 restarts.

5. After this unit has finished restarting, access the Web GUI once again from Yamaha LAN Monitor.

NOTE

During restart, the computer on which the Web GUI is open will be unable to communicate with the unit (the status indication of the computer’s network adapter will be “Network cable is not connected”), but the communication status will recover when restart is completed. After this SWP2’s POWER indicator has finished flashing, verify that communication has been restored for the computer on which the Web GUI is open, and then click the [Web GUI] button in the “Device Details” view.

Using the cold start command to restore the factory settings

You can return the unit to its factory settings by using a command line setting via the CONSOLE port, Telnet, or an SSH client.

Here we assume that you are logged in as described in “Logging in from a computer connected to the CONSOLE port”.

Preparing the computer

You will need terminal software that controls the serial (COM) port of the computer.
Set the parameters of the terminal software as follows.

Parameter	Value
Data transmission speed	9600bps
Character bit length	8
Parity check	None
Number of stop bits	1
Flow control	Xon/Xoff

1. Using a console cable, connect the SWP2 to the computer.

Connect the computer to the CONSOLE port of SWP2 using an RJ-45/DB-9 console cable.

2. Check the power supply of SWP2.

If the SWP2 is not powered-on, turn on the power as described in “AC IN connector” (page 13). When this unit powers-on and the command line is usable, a startup message appears in the console screen of the computer.

If the power is already on, a startup message does not appear.

3. Press the <Enter> key.

The system waits for a user name to be entered. If a user name has already been specified, enter the user name. When the unit is shipped from the factory, a user name has not been specified, so it need not be entered.

4. Press the <Enter> key.

The system waits for a password to be entered. If a password has already been specified, enter the password.

When the unit is shipped from the factory, a password has not been specified, so it need not be entered.

5. Press the <Enter> key.

If password authentication is successful, the command prompt appears, allowing you to enter commands.

6. Enter enable, and press the <Enter> key.

You are now in privileged EXEC mode.

7. Enter the cold start command, and press the <Enter> key.

You will be asked to enter the administrative password.

If a password has already been specified, enter the password.

When the unit is shipped from the factory, a password has not been specified, so it need not be entered.

8. Press the <Enter> key.

The SWP2 returns to the factory-set state, and then restarts.

Entering the <I> (uppercase I) key during startup to restore the factory settings

The SWP2 can be restored to its factory settings by entering an uppercase <I> when the SWP2 is starting up. This explanation uses the method of disconnecting and reconnecting the power cord. The procedure is also the same when using the reload command to restart the SWP2.

Our explanation here assumes that you have performed steps 1 of “Using the cold start command to restore to the factory settings.”

1. Disconnect and then reconnect the power cord of SWP2.

2. During restart, enter an uppercase <I> within one second after the BootROM Ver appears on the console screen.

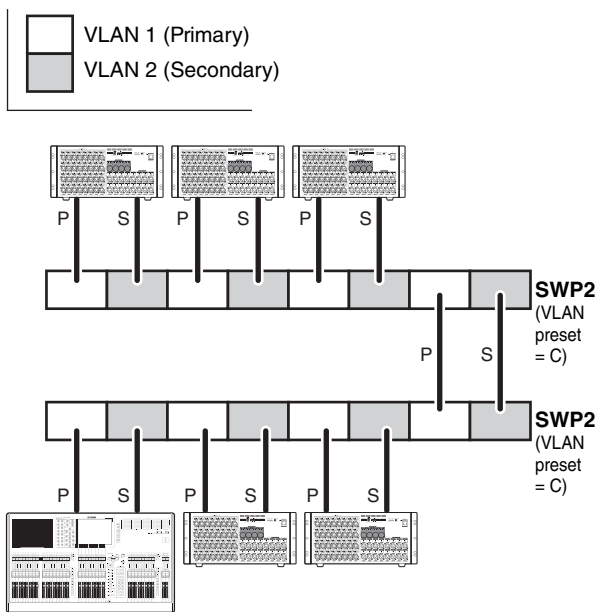
- When a screen asks you whether to execute initialization, press the <y> key to execute initialization.

Initialization is executed.

VLAN Use Cases

Redundant Dante connections

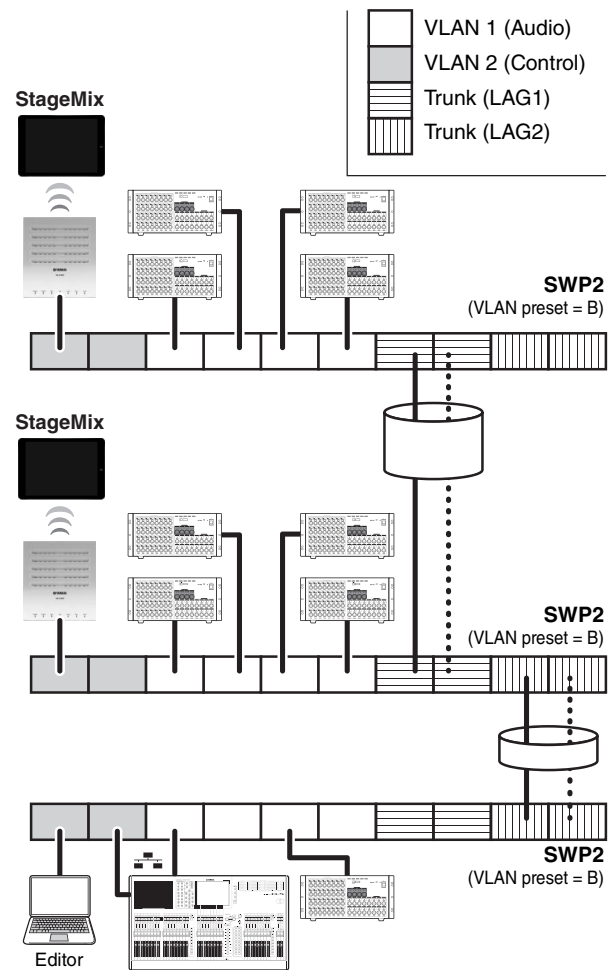
This case double the cables between devices as a safeguard against cable breakage. This diagram shows a setup using VLAN preset C.



Separating control signals from audio signals

This case logically separates control signals such as Editor or StageMix from Dante's audio signals, making the network more stable. This diagram shows a setup using VLAN preset B.

If VLANs are not used, and control signals and audio signals flow across the same network, the two will compete for communication bandwidth. In order to prevent such an effect, we recommend that you use VLANs to separate the control signal and audio signal networks.



Specifications

GENERAL SPECIFICATIONS

PARAMETER	SWP2-10MMF	SWP2-10SMF
Number of LAN ports (1000BASE-T/100BASE-TX/10BASE-T, etherCON connector)	10	
Number of SFP+ ports (10GBASE-SR, opticalCON DUO connector)	2	0
Number of SFP ports (10GBASE-LR, opticalCON DUO connector)	0	2
Console port	1 (RJ-45)	
Automatic negotiation	Available	
Auto MDI/MDI-X	Available	
DIP switches	CONFIG, VLAN PRESET	
Indicators (Front)	POWER, LED MODE×4	
	PORT×10×2 ^{*1} , SFP+×2×2	
Operating temperature range	0 to 40°C	
Storage temperature range	-20 to 60°C	
Power supply (AC IN inlet)	AC100V – 240V, 50/60 Hz, Internal power supply (no power switch) Power supply inlet: locking type	
Power supply (EXT DC INPUT inlet)	24VDC±2V, 0.78A, XLR-4-32 type Connector	
Maximum power consumption (Wattage, Current)	21W, 0.35A	
Heat dissipation	18.5 kcal/h	
Body material	Metal case, no fan	
Hazardous substances management	RoHS compliant	
Dimensions (W x H x D)	480 x 44 x 362 mm (18-7/8" x 1-3/4" x 14-1/4")	
Weight (excluding accessories)	4.5 kg (9.9 lbs)	
Accessories	Power cord, Owner's manual	
Option item	PA-700 (AC adaptor)	

*1 The LED MODE button allows the PORT indicators to be switched between indicating LINK/ACT-SPEED, STATUS, or VLAN.

INTERFACE SPECIFICATIONS

Terminal	Format	Level	Connector
1-10 ^{*1}	IEEE802.3	10BASE-T/100BASE-TX/ 1000BASE-T	etherCON CAT5e
11, 12 ^{*2}	IEEE802.3ae	10GBASE-SR 10GBASE-LR ^{*3}	opticalCON
CONSOLE (RS-232C)	–	RS-232C	RJ-45 ^{*4}
EXT DC INPUT	–	–	XLR-4-32 type ^{*5}

*1 These terminals support AutoMDI/MDI-X

*2 Conforming cable: SWP2-10MMF: GI-type multi-mode fiber cables with a core diameter /cladding diameter of approximately 50 µm/125 µm. Maximum cable length: 300 m
SWP2-10SMF: SM-type single-mode fiber cables with a core diameter /cladding diameter of approximately 9 µm/125 µm. Maximum cable length: 10 km

*3 10GBASE-SR: SWP2-10MMF, 10GBASE-LR: SWP2-10SMF

*4 For the pin assignments, refer to CONNECTOR PIN ASSIGNMENTS

*5 Pin 4=+24VDC, pin 1=GND, pins 2 and 3=N.C.

External power supply requirements: 24VDC±2V, 0.78A

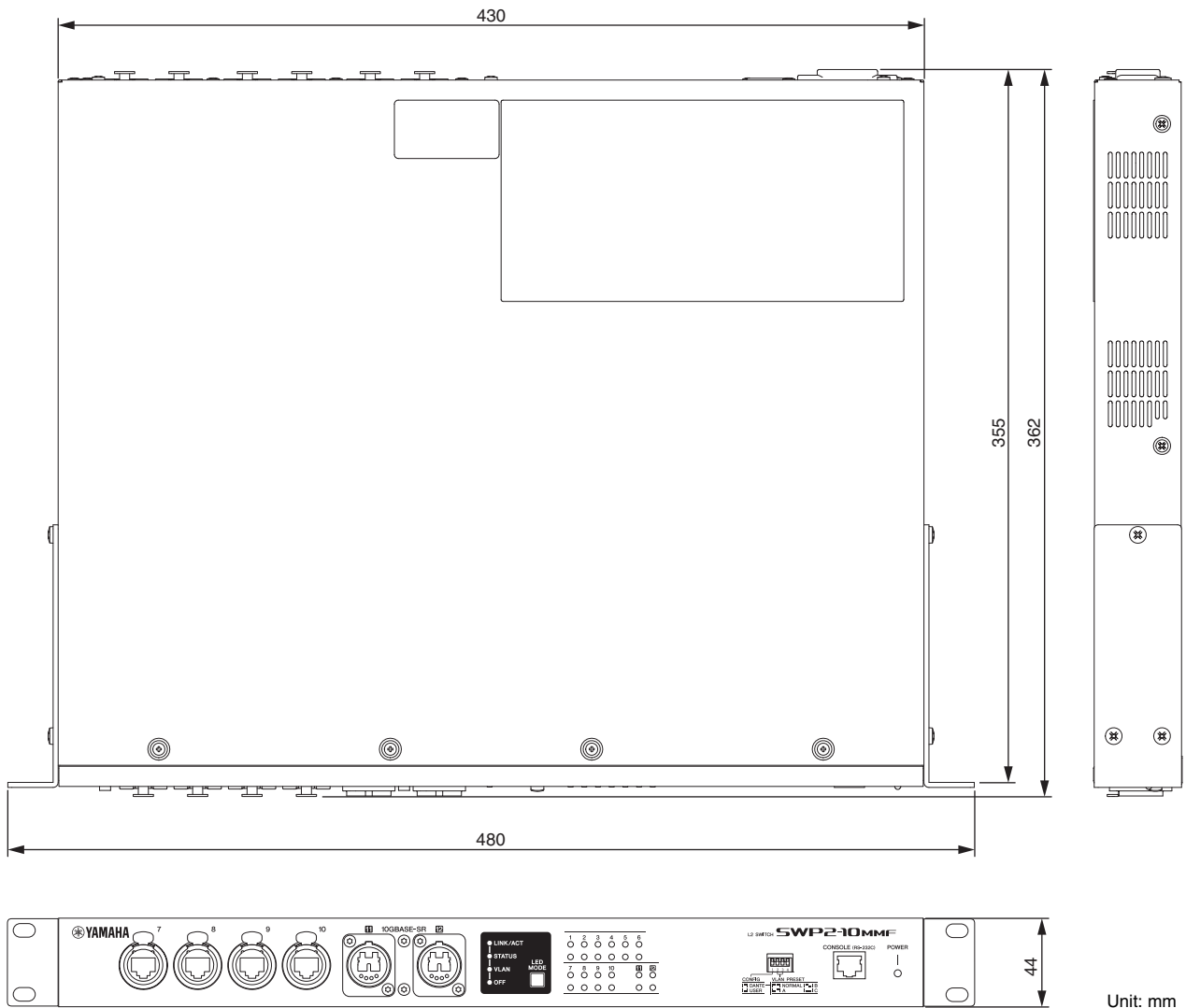
CONNECTOR PIN ASSIGNMENTS

CONSOLE (RS-232C)

Signal	RJ45	D-SUB 9
		9
RTS	1	8
DTR	2	6
TxD	3	2
GND	4	5
GND	5	
RxD	6	3
DSR*	7	4
CTS*	8	7
		1

* These signals are not used on the SWP2.

Dimensions



Unit: mm

* The contents of this manual apply to the specifications as of the firmware Rev. 2.03.01. To obtain the latest manual, access the Yamaha website then download the manual file.

Important Notice: Guarantee Information for customers in European Economic Area (EEA) and Switzerland

Important Notice: Guarantee Information for customers in EEA* and Switzerland For detailed guarantee information about this Yamaha product, and Pan-EEA* and Switzerland warranty service, please either visit the website address below (Printable file is available at our website) or contact the Yamaha representative office for your country. * EEA: European Economic Area	English
Wichtiger Hinweis: Garantie-Information für Kunden in der EWR* und der Schweiz Für nähere Garantie-Information über dieses Produkt von Yamaha, sowie über den Pan-EWR*- und Schweizer Garantieservice, besuchen Sie bitte entweder die folgend angegebene Internetadresse (eine druckfähige Version befindet sich auch auf unserer Webseite), oder wenden Sie sich an den für Ihr Land zuständigen Yamaha-Vertrieb. *EWR: Europäischer Wirtschaftsraum	Deutsch
Remarque importante: informations de garantie pour les clients de l'EEE et la Suisse Pour des informations plus détaillées sur la garantie de ce produit Yamaha et sur le service de garantie applicable dans l'ensemble de l'EEE ainsi qu'en Suisse, consultez notre site Web à l'adresse ci-dessous (le fichier imprimable est disponible sur notre site Web) ou contactez directement Yamaha dans votre pays de résidence. * EEE : Espace Economique Européen	Français
Belangrijke mededeling: Garantie-informatie voor klanten in de EER* en Zwitserland Voor gedetailleerde garantie-informatie over dit Yamaha-product en de garantieservice in heel de EER* en Zwitserland, gaat u naar de onderstaande website (u vindt een afdrukbaar bestand op onze website) of neemt u contact op met de vertegenwoordiging van Yamaha in uw land. * EER: Europese Economische Ruimte	Nederlands
Aviso importante: información sobre la garantía para los clientes del EEE* y Suiza Para una información detallada sobre este producto Yamaha y sobre el soporte de garantía en la zona EEE* y Suiza, visite la dirección web que se incluye más abajo (la versión del archivo para imprimir esta disponible en nuestro sitio web) o póngase en contacto con el representante de Yamaha en su país. * EEE: Espacio Económico Europeo	Español
Avviso importante: informazioni sulla garanzia per i clienti residenti nell'EEA* e in Svizzera Per informazioni dettagliate sulla garanzia relativa a questo prodotto Yamaha e l'assistenza in garanzia nei paesi EEA* e in Svizzera, potete consultare il sito Web all'indirizzo riportato di seguito (è disponibile il file in formato stampabile) oppure contattare l'ufficio di rappresentanza locale della Yamaha. * EEA: Area Economica Europea	Italiano
Aviso importante: informações sobre as garantias para clientes da AEE* e da Suíça Para obter uma informação pormenorizada sobre este produto da Yamaha e sobre o serviço de garantia na AEE* e na Suíça, visite o site a seguir (o arquivo para impressão está disponível no nosso site) ou entre em contato com o escritório de representação da Yamaha no seu país. * AEE: Área Económica Européia	Português
Σημαντική σημείωση: Πληροφορίες εγγύησης για τους πελάτες στον ΕΟΧ* και Ελβετία Για λεπτομερείς πληροφορίες εγγύησης σχετικά με το παρόν προϊόν της Yamaha και την κάλυψη εγγύησης σε όλες τις χώρες του ΕΟΧ και την Ελβετία, επισκεφτείτε την παρακάτω ιστοσελίδα (Εκτυπώσιμη μορφή είναι διαθέσιμη στην ιστοσελίδα μας) ή απευθυνθείτε στην αντιπροσωπεία της Yamaha στη χώρα σας. * ΕΟΧ: Ευρωπαϊκός Οικονομικός Χώρος	Ελληνικά
Viktigt: Garantiinformation för kunder i EES-området* och Schweiz För detaljerad information om denna Yamahaprodukt samt garantiservice i hela EES-området* och Schweiz kan du antingen besöka nedanstående webbadress (en utskriftsvänlig fil finns på webbplatsen) eller kontakta Yamahas officiella representant i ditt land. * EES: Europeiska Ekonomiska Samarbetsområdet	Svenska
Viktig merknad: Garantiinformasjon for kunder i EØS* og Sveits Detaljert garantiinformasjon om dette Yamaha-produktet og garantiservice for hele EØS-området* og Sveits kan fås enten ved å besøke nettstedene nedenfor (utskriftsversjon finnes på våre nettsider) eller kontakte kontaktpunktet Yamaha-kontoret i landet der du bor. *EØS: Det europeiske økonomiske samarbeidsområdet	Norsk
Vigtig oplysning: Garantioplysninger til kunder i EØ* og Schweiz De kan finde detaljerede garantioplysninger om dette Yamaha-produkt og den fælles garantiserviceordning for EØ* (og Schweiz) ved at besøge det websted, der er angivet nedenfor (der findes en fil, som kan udskrives, på vores websted), eller ved at kontakte Yamahas nationale repræsentationskontor i det land, hvor De bor. * EØ: Det Europæiske Økonomiske Område	Dansk
Tärkeä ilmoitus: Takuutiedot Euroopan talousalueen (ETA)* ja Sveitsin asiakkaille Tämän Yamaha-tuotteen sekä ETA-alueen ja Sveitsin takuuta koskevat yksityiskohtaiset tiedot saatte alla olevasta nettiosoitteesta. (Tulostettava tiedosto saatavissa sivustollamme.) Voitte myös ottaa yhteyttä paikalliseen Yamaha-edustajaan. *ETA: Euroopan talousalue	Suomi
Ważne: Warunki gwarancyjne obowiązujące w EOG* i Szwajcarii Aby dowiedzieć się więcej na temat warunków gwarancyjnych tego produktu firmy Yamaha i serwisu gwarancyjnego w całym EOG* i Szwajcarii, należy odwiedzić wskazaną poniżej stronę internetową (Plik gotowy do wydruku znajduje się na naszej stronie internetowej) lub skontaktować się z przedstawicielstwem firmy Yamaha w swoim kraju. * EOG — Europejski Obszar Gospodarczy	Polski
Důležité oznámení: Záruční informace pro zákazníky v EHS* a ve Švýcarsku Podrobné záruční informace o tomto produktu Yamaha a záručním servisu v celém EHS* a ve Švýcarsku naleznete na níže uvedené webové adrese (soubor k tisku je dostupný na našich webových stránkách) nebo se můžete obrátit na zastoupení firmy Yamaha ve své zemi. * EHS: Evropský hospodářský prostor	Česky
Fontos figyelmeztetés: Garancia-információk az EGT* területén és Svájcban élő vásárlók számára A jelen Yamaha termékre vonatkozó részletes garancia-információk, valamint az EGT*-re és Svájcra kiterjedő garanciális szolgáltatás tekintetében keresse fel webhelyünket az alábbi címen (a webhelyen nyomtatható fájl is található), vagy pedig lépjen kapcsolatba az országában működő Yamaha képviselői irodával. * EGT: Európai Gazdasági Térség	Magyar
Oluline märkus: Garantiiteave Euroopa Majanduspiirkonna (EMP)* ja Šveitsi klientidele Täpsemat teabe saamiseks selle Yamaha toote garantii ning kogu Euroopa Majanduspiirkonna ja Šveitsi garantiiteeninduse kohta, külastage palun veebisaiti alljärgneval aadressil (meie saidil on saadaval printitav fail) või pöörduge Teie regiooni Yamaha esinduse poole. * EMP: Euroopa Majanduspiirkond	Eesti keel
Svarīgs paziņojums: garantijas informācija klientiem EEZ* un Šveicē Lai saņemtu detalizētu garantijas informāciju par šo Yamaha produktu, kā arī garantijas apkalpošanu EEZ* un Šveicē, lūdzu, apmeklējiet zemāk norādīto tīmekļa vietnes adresi (tīmekļa vietnē ir pieejams drukājams fails) vai sazinieties ar jūsu valsti apkalpojošo Yamaha pārstāvniecību. * EEZ: Eiropas Ekonomikas zona	Latviešu
Dėmesio: informacija dėl garantijos pirkėjams EEE* ir Šveicarijoje Jei reikia išsamios informacijos apie šį „Yamaha“ produktą ir jo techninę priežiūrą visoje EEE* ir Šveicarijoje, apsilankykite mūsų svetainėje toliau nurodytu adresu (svetainėje yra spausdintinas failas) arba kreipkitės į „Yamaha“ atstovybę savo šaliai. *EEE – Europos ekonominė erdvė	Lietuvių kalba
Dôležité upozornenie: Informácie o záruke pre zákazníkov v EHP* a Švajčiarsku Podrobné informácie o záruke týkajúce sa tohto produktu od spoločnosti Yamaha a garančnom servise v EHP* a Švajčiarsku nájdete na webovej stránke uvedenej nižšie (na našej webovej stránke je k dispozícii súbor na tlač) alebo sa obráťte na zástupcu spoločnosti Yamaha vo svojej krajine. * EHP: Európsky hospodársky priestor	Slovenčina
Pomembno obvestilo: Informacije o garanciji za kupce v EGP* in Švici Za podrobnejše informacije o tem Yamahinem izdelku ter garancijskem servisu v celotnem EGP in Švici, obiščite spletno mesto, ki je navedeno spodaj (natisljiva datoteka je na voljo na našem spletnem mestu), ali se obrnite na Yamahinega predstavnika v svoji državi. * EGP: Evropski gospodarski prostor	Slovenščina
Важно съобщение: Информация за гаранцията за клиенти в ЕИП* и Швейцария За подробна информация за гаранцията за този продукт на Yamaha и гаранционното обслужване в паневропейската зона на ЕИП* и Швейцария или посетете посочения по-долу уеб сайт (на нашия уеб сайт има файл за печат), или се свържете с представителния офис на Yamaha във вашата страна. * ЕИП: Европейско икономическо пространство	Български език
Notificare importantă: Informații despre garanție pentru clienții din SEE* și Elveția Pentru informații detaliate privind acest produs Yamaha și serviciul de garanție Pan-SEE* și Elveția, vizitați site-ul la adresa de mai jos (fișierul imprimabil este disponibil pe site-ul nostru) sau contactați biroul reprezentanței Yamaha din țara dumneavoastră. * SEE: Spațiul Economic European	Limba română

<http://europe.yamaha.com/warranty/>

ADDRESS LIST

NORTH AMERICA

CANADA

Yamaha Canada Music Ltd.
135 Milner Avenue, Toronto, Ontario,
M1S 3R1, Canada
Tel: +1-416-298-1311

U.S.A.

Yamaha Corporation of America
6600 Orangethorpe Avenue, Buena Park, CA 90620,
U.S.A.
Tel: +1-714-522-9011

CENTRAL & SOUTH AMERICA

MEXICO

Yamaha de México, S.A. de C.V.
Av. Insurgentes Sur 1647 Piso 9, Col. San José
Insurgentes, Delegación Benito Juárez, México,
D.F., C.P. 03900, México
Tel: +52-55-5804-0600

BRAZIL

Yamaha Musical do Brasil Ltda.
Rua Fidêncio Ramos, 302 – Cj 52 e 54 – Torre B – Vila
Olimpia – CEP 04551-010 – São Paulo/SP, Brazil
Tel: +55-11-3704-1377

ARGENTINA

**Yamaha Music Latin America, S.A.,
Sucursal Argentina**
Olga Cossetini 1553, Piso 4 Norte,
Madero Este-C1107CEK,
Buenos Aires, Argentina
Tel: +54-11-4119-7000

PANAMA AND OTHER LATIN

AMERICAN COUNTRIES/ CARIBBEAN COUNTRIES

Yamaha Music Latin America, S.A.
Edif. Torre Banco General, Piso 7, Urbanización
Marbella, Calle 47 y Aquilino de la Guardia,
Ciudad de Panamá, República de Panamá
Tel: +507-269-5311

EUROPE

THE UNITED KINGDOM/IRELAND

Yamaha Music Europe GmbH (UK)
Sherbourne Drive, Tilbrook, Milton Keynes,
MK7 8BL, U.K.
Tel: +44-1908-366700

GERMANY

Yamaha Music Europe GmbH
Siemensstrasse 22-34, 25462 Rellingen, Germany
Tel: +49-4101-303-0

SWITZERLAND/LIECHTENSTEIN

**Yamaha Music Europe GmbH, Branch
Switzerland in Thalwil**
Seestrasse 18a, 8800 Thalwil, Switzerland
Tel: +41-44-3878080

AUSTRIA/BULGARIA/ CZECH REPUBLIC/HUNGARY/ ROMANIA/SLOVAKIA/SLOVENIA

**Yamaha Music Europe GmbH
Branch Austria**
Schleiergasse 20, 1100 Wien, Austria
Tel: +43-1-60203900

POLAND

**Yamaha Music Europe GmbH
Sp.z o.o. Oddział w Polsce**
ul. Wielicka 52, 02-657 Warszawa, Poland
Tel: +48-22-880-08-88

MALTA

Olimpus Music Ltd.
Valletta Road, Mosta MST9010, Malta
Tel: +356-2133-2093

NETHERLANDS/BELGIUM/ LUXEMBOURG

Yamaha Music Europe Branch Benelux
Clarissenhof 5b, 4133 AB Vianen, The Netherlands
Tel: +31-347-358040

FRANCE

Yamaha Music Europe
7 rue Ambroise Croizat, Zone d'activités de Pariest,
77183 Croissy-Beaubourg, France
Tel: +33-1-6461-4000

ITALY

Yamaha Music Europe GmbH, Branch Italy
Via Tinelli N.67/69 20855 Gerno di Lesmo (MB),
Italy
Tel: +39-039-9065-1

SPAIN/PORTUGAL

**Yamaha Music Europe GmbH Ibérica, Sucursal
en España**
Ctra. de la Coruña km. 17,200, 28231
Las Rozas de Madrid, Spain
Tel: +34-91-639-88-88

GREECE

Philippos Nakas S.A. The Music House
19th klm. Leof. Lavriou 190 02 Peania – Attiki,
Greece
Tel: +30-210-6686168

SWEDEN/FINLAND/ICELAND

**Yamaha Music Europe GmbH Germany filial
Scandinavia**
JA Wettergrensgata 1, 400 43 Göteborg, Sweden
Tel: +46-31-89-34-00

DENMARK

**Yamaha Music Denmark,
Fillial of Yamaha Music Europe GmbH, Tyskland**
Generatorvej 8C, ST. TH. , 2860 Søborg, Denmark
Tel: +45-44-92-49-00

NORWAY

**Yamaha Music Europe GmbH Germany -
Norwegian Branch**
Grini Næringspark 1, 1332 Østerås, Norway
Tel: +47-6716-7800

CYPRUS

Yamaha Music Europe GmbH
Siemensstrasse 22-34, 25462 Rellingen, Germany
Tel: +49-4101-303-0

RUSSIA

Yamaha Music (Russia) LLC.
Room 37, entrance 7, bld. 7, Kievskaya street,
Moscow, 121059, Russia
Tel: +7-495-626-5005

OTHER EUROPEAN COUNTRIES

Yamaha Music Europe GmbH
Siemensstrasse 22-34, 25462 Rellingen, Germany
Tel: +49-4101-3030

AFRICA

Yamaha Music Gulf FZE
JAFZA-16, Office 512, P.O.Box 17328,
Jebel Ali FZE, Dubai, UAE
Tel: +971-4-801-1500

MIDDLE EAST

TURKEY

**Yamaha Music Europe GmbH
Merkezi Almanya Türkiye İstanbul Şubesi**
Mor Sumbul Sokak Varyap Meridian Business
I.Blok No:1 113-114-115
Bati Atasehir Istanbul, Turkey
Tel: +90-216-275-7960

OTHER COUNTRIES

Yamaha Music Gulf FZE
JAFZA-16, Office 512, P.O.Box 17328,
Jebel Ali FZE, Dubai, UAE
Tel: +971-4-801-1500

ASIA

THE PEOPLE'S REPUBLIC OF CHINA

Yamaha Music & Electronics (China) Co.,Ltd.
2F, Yunhedasha, 1818 Xinzha-lu, Jingan-qu,
Shanghai, China
Tel: +86-400-051-7700

INDIA

Yamaha Music India Private Limited
P-401, JMD Megapolis, Sector-48, Sohna Road,
Gurgaon-122018, Haryana, India
Tel: +91-124-485-3300

INDONESIA

PT. Yamaha Musik Indonesia (Distributor)
Yamaha Music Center Bldg. Jalan Jend. Gatot
Subroto Kav. 4, Jakarta 12930, Indonesia
Tel: +62-21-520-2577

KOREA

Yamaha Music Korea Ltd.
11F, Prudential Tower, 298, Gangnam-daero,
Gangnam-gu, Seoul, 06253, Korea
Tel: +82-2-3467-3300

MALAYSIA

Yamaha Music (Malaysia) Sdn. Bhd.
No.8, Jalan Perbandaran, Kelana Jaya, 47301
Petaling Jaya, Selangor, Malaysia
Tel: +60-3-78030900

SINGAPORE

Yamaha Music (Asia) Private Limited
Block 202 Hougang Street 21, #02-00,
Singapore 530202, Singapore
Tel: +65-6740-9200

TAIWAN

Yamaha Music & Electronics Taiwan Co.,Ltd.
2F., No.1, Yuandong Rd., Banqiao Dist.,
New Taipei City 22063, Taiwan (R.O.C.)
Tel: +886-2-7741-8888

THAILAND

Siam Music Yamaha Co., Ltd.
3, 4, 15, 16th Fl., Siam Motors Building,
891/1 Rama 1 Road, Wangmai,
Pathumwan, Bangkok 10330, Thailand
Tel: +66-2215-2622

VIETNAM

Yamaha Music Vietnam Company Limited
15th Floor, Nam A Bank Tower, 201-203 Cach
Mang Thang Tam St., Ward 4, Dist.3,
Ho Chi Minh City, Vietnam
Tel: +84-8-3818-1122

OTHER ASIAN COUNTRIES

<http://asia.yamaha.com/>

OCEANIA

AUSTRALIA

Yamaha Music Australia Pty. Ltd.
Level 1, 80 Market Street, South Melbourne,
VIC 3205, Australia
Tel: +61-3-9693-5111

COUNTRIES AND TRUST

TERRITORIES IN PACIFIC OCEAN

<http://asia.yamaha.com/>

Yamaha Pro Audio global website:
<http://www.yamahaproaudio.com/>
Yamaha Downloads
<http://download.yamaha.com/>

Manual Development Group
© 2019 Yamaha Corporation
Published 03/2019 MWES-A0

VAV9140